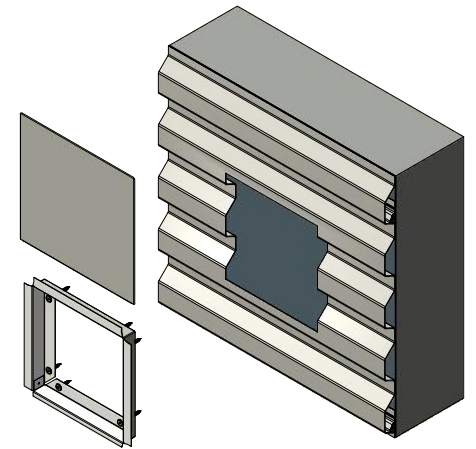


SECTION B-B

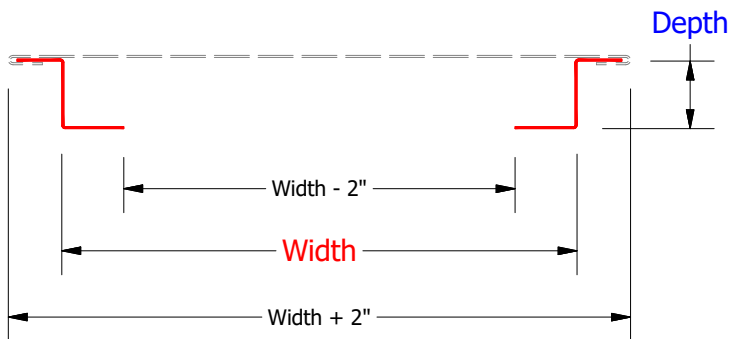


Order #

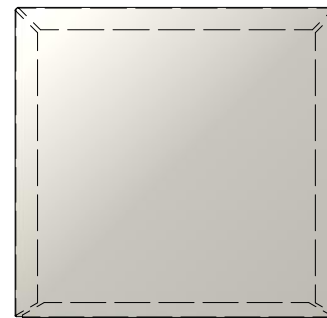
Base Dimensions

Width:

Height:



SECTION A-A



If a pre-punched shape is needed on cover specify it's dimensions and location.

For use with (Panel SKU):

or

Depth (If specific size requested):

Alum: .032 .040

Steel: 24ga

Color:

Quantity:



ATAS INTERNATIONAL, INC
 Allentown PA
 610-395-8445
 Mesa AZ
 480-558-7210

TITLE		Z Box - Order Sheet - Standard Cover	
DWG. NO.	DR	PJR	DATE 04-25-16
MATERIAL	APP		DATE
SH. SIZE	A	SCALE	X:X

REV. NO.	DATE	DESCRIPTION OF REVISION	BY	APP
03	3/7/2024	Updated General Layout of Order Sheet	KRK	
02	6/29/2022	Added Patent Number	KRK	
01	8/23/2021	Updated Materials	KRK	JPB

Patent Number: 10,439,380B2