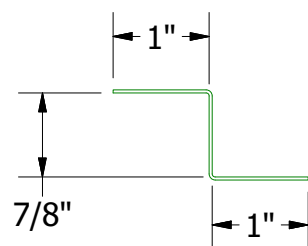
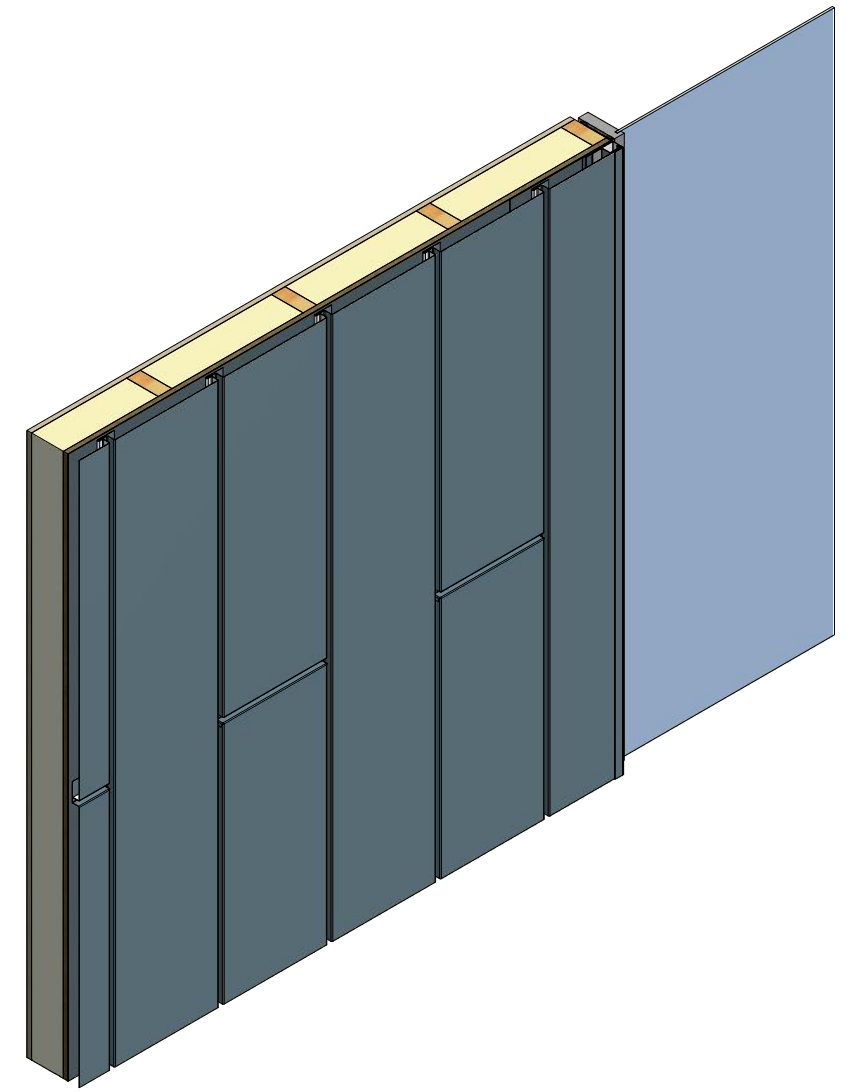
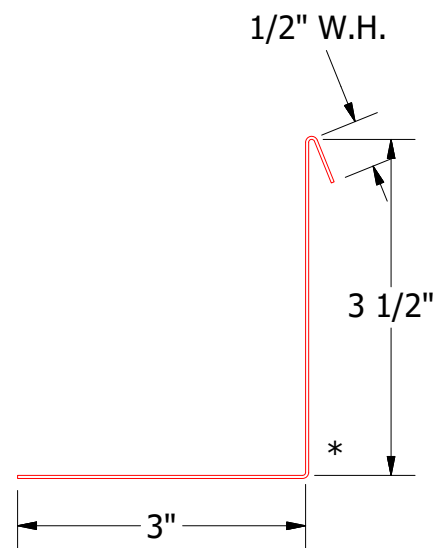


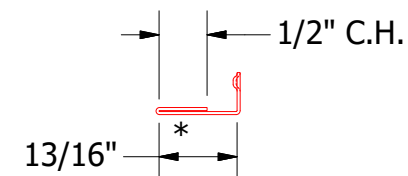
- Plywood Substrate
- Water and Air Resistive Barrier
- Versa-Seam Reveal Panel
- Membrane Strip
- Butyl Sealant Tape
- #10 x 1" Wafer Head Screw
- Support Z
- S.S. Painted Pop Rivets (if appropriate)
- Appropriately Applied VHB Tape
- Snap J Cover
- Window
- Angle Trim with Return
- Backer Rod and Sealant
- Snap Base



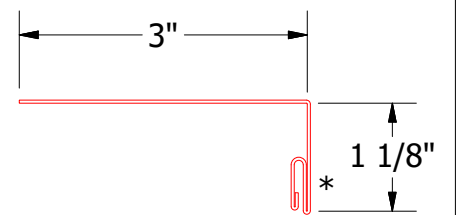
VSA681 - Support Z



VSA683 - Angle Trim with Return



UNS078 - Snap J Cover



VSA119 - Snap Base

Note: \* denotes color side.

**ATAS**  
 ATAS INTERNATIONAL, INC  
 Allentown PA  
 610-395-8445  
 Mesa AZ  
 480-558-7210

TITLE				Versa-Seam Reveal Solid Window Jamb Vertical Detail			
DWG. NO.		DR		DATE		DATE	
		KRK		12/6/2022			
MATERIAL				SH. SIZE		SCALE	
				B		X:X	
REV. NO.	DATE	DESCRIPTION OF REVISION	BY	APP			