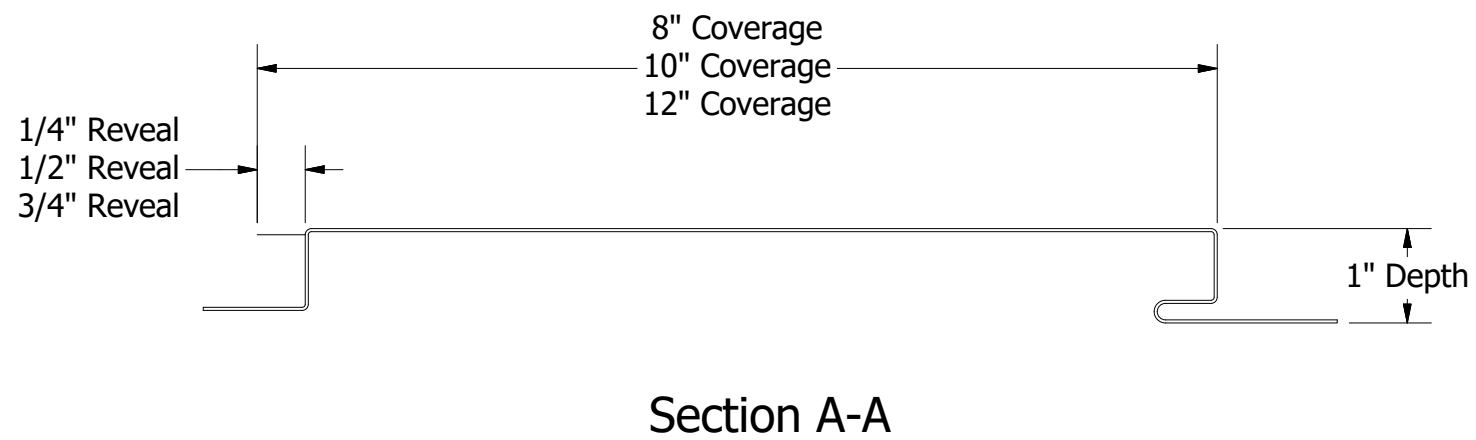
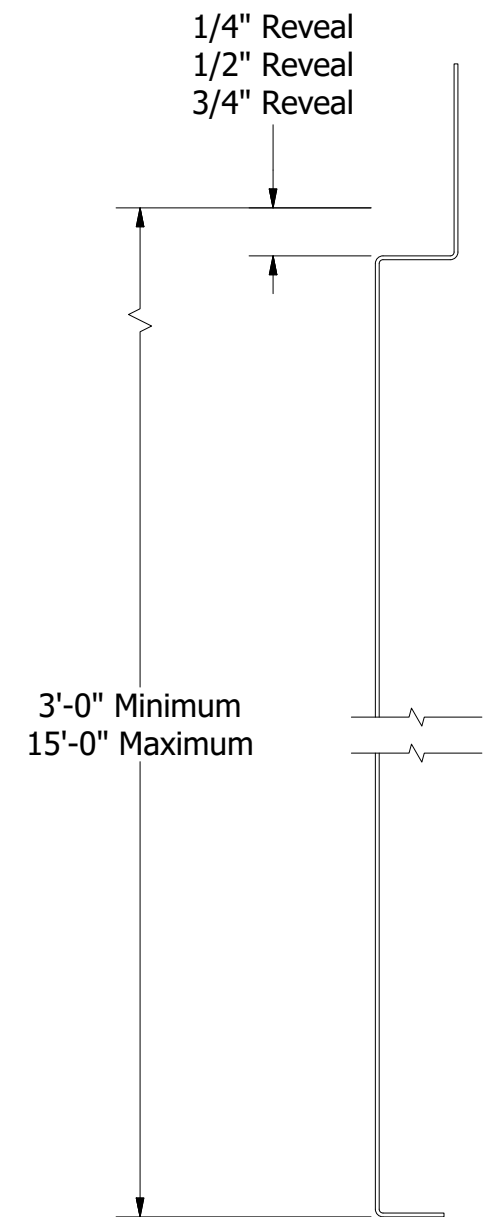


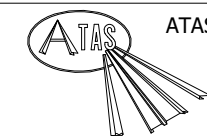
Versa-Seam Reveal Vertical Panel



Section A-A



SECTION B-B



ATAS INTERNATIONAL, INC  
Allentown PA  
610-395-8445  
Mesa AZ  
480-558-7210

TITLE  
Versa-Seam Reveal Solid Panel Detail

REV. NO.	DATE	DESCRIPTION OF REVISION	BY	APP	DWG. NO.	DR	DATE
						KRK	12/6/2022
					MATERIAL	APP	DATE
					SH. SIZE	B	SCALE
							X:X