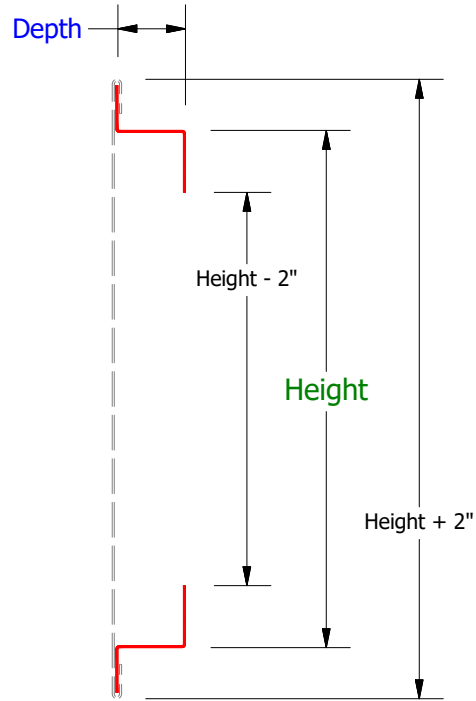
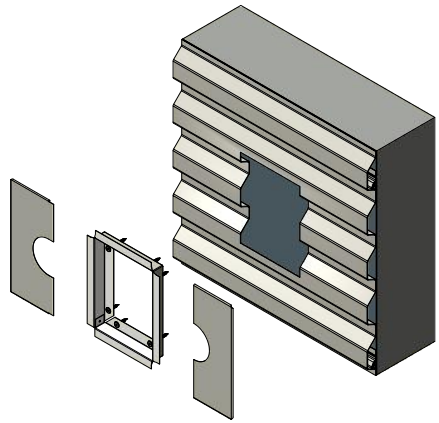


After Wrapping Z Box Base around Penetration, Pop Rivet Base using Factory Pre-Punched Holes.



SECTION B-B



Order #

Seam Direction:

Horizontal or Vertical

Base Dimensions

Width:

Height:

For use with (Panel SKU):

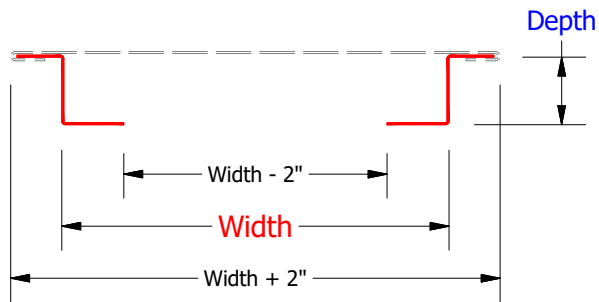
or
Depth (If specific size requested):

Alum: .032 .040

Steel: 24ga

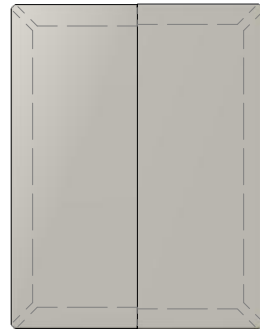
Color:

Quantity:

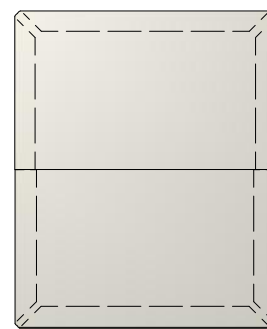


SECTION A-A

Vertical Seam Direction



Horizontal Seam Direction



If a pre-punched shape is needed on cover specify it's dimensions and location.

NOTE: Retrofit covers are beneficial when a standard one piece cover cannot be slid over the feature being flashed. The cover seam can either be oriented vertically or horizontally.

In the event the cover seam is oriented horizontally, lower section must be secured adequately with a S.S. Pop Rivet or VHB Tape.

Patent Number: 10,439,380B2

ATAS INTERNATIONAL, INC
 Allentown PA
 610-395-8445
 Mesa AZ
 480-558-7210

TITLE			
Z Box - Order Sheet - Retrofit Cover			
DWG. NO.	DR	PJR	DATE
			04-25-16
MATERIAL		APP	DATE
SH. SIZE	A	SCALE	X:X

REV. NO.	DATE	DESCRIPTION OF REVISION	BY	APP
05	2/5/2024	Updated General Layout of Order Sheet	KRK	
04	12/19/2023	Added Seam Direction Options	KRK	
03	2/1/2023	Added Note about Pop Rivet	KRK	