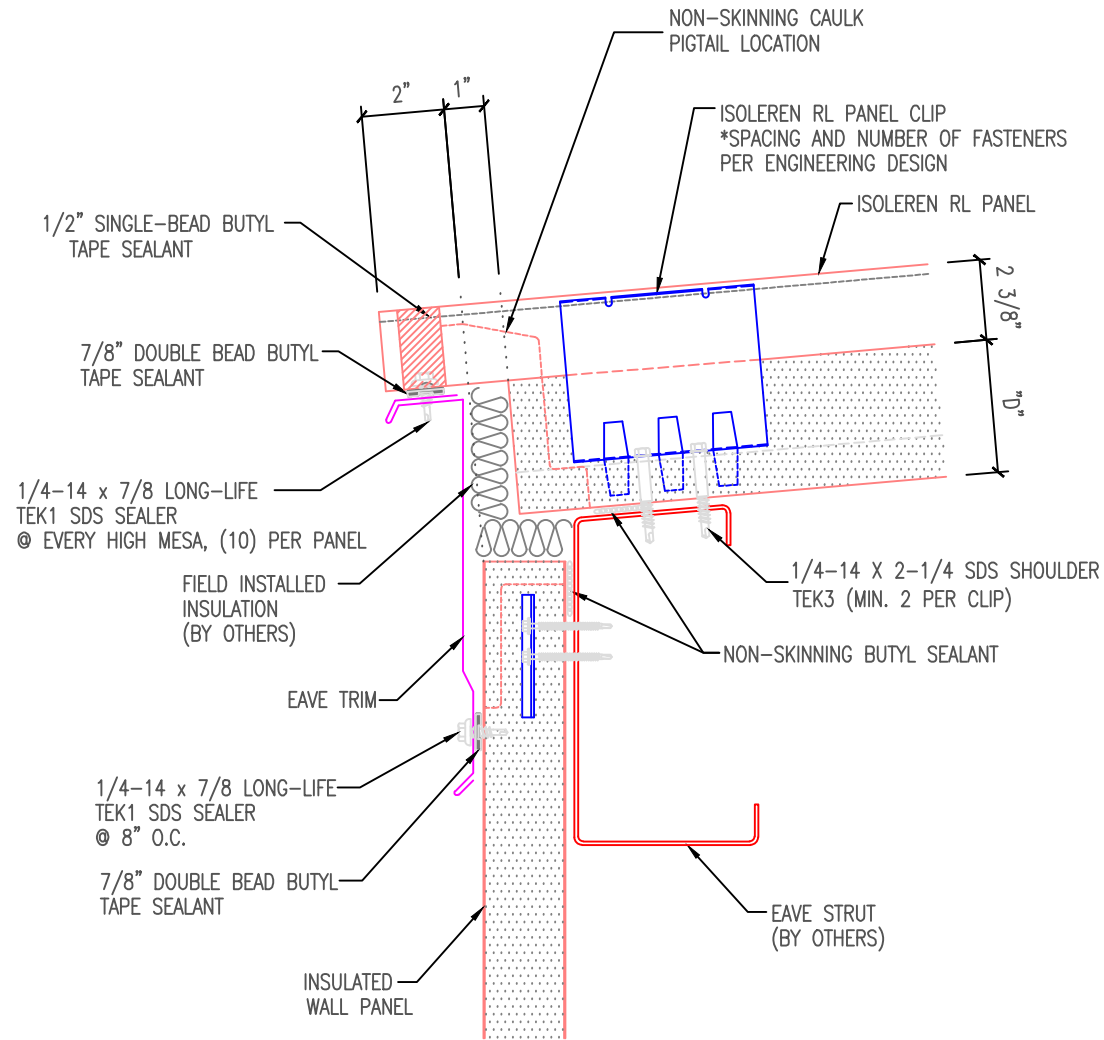


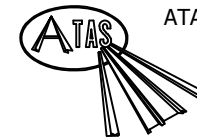
NOTE: FIELD REMOVE LINER AND INSULATION AT CUTBACK



NOTE:

1. "D" = ROOF PANEL THICKNESS (AVAILABLE THICKNESS = 2.5, 3, 4, 5, OR 6)
2. FIELD REMOVE LINER AND INSULATION AT CUTBACK
3. DIMENSIONS SHOW ARE FOR 3" THICK ROOF PANEL. ADJUST DIMENSION PROPORTIONALLY FOR OTHER ROOF PANELS THICKNESS.
4. FILLER INSULATION MATERIAL AND APPLICATION IS SPECIFIED BY THE PROJECT DESIGNER.

\*\* THE DETAIL SHOWN IS SUBJECT TO CHANGE WITHOUT NOTICE.



ATAS INTERNATIONAL, INC

Allentown PA  
610-395-8445  
Mesa AZ  
480-558-7210

TITLE		Roof-Eave at Wall	
DWG. NO.	DR	DATE	8/2/2016
MATERIAL		APP	DATE
REV. NO.	DATE	SH. SIZE	SCALE X:X

REV. NO.	DATE	DESCRIPTION OF REVISION	BY	APP