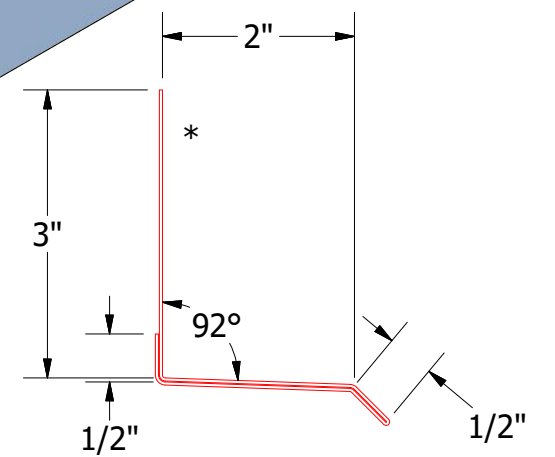


MDA975 - Joggle Cleat



MDA661 - Base Trim - Standard

Note: * denotes color side.



ATAS INTERNATIONAL, INC
 Allentown PA
 610-395-8445
 Mesa AZ
 480-558-7210

REV. NO.	DATE	DESCRIPTION OF REVISION	BY	APP	TITLE	DR	DATE
					Dutch Seam Flanged Window Head Detail	KRK	1/27/2023
						APP	DATE
						SH. SIZE	B SCALE X:X