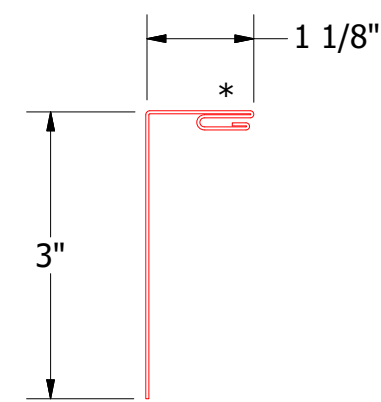
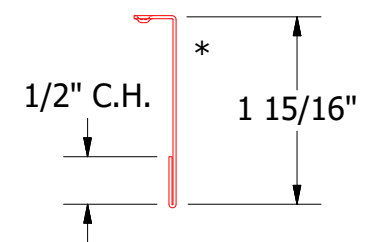


HCA680 - Angle Trim



HCA119 - Snap Base



UNS200 - Snap J Cover

Note: * denotes color side.
 Note: If Hex Washer Head Screw is used, do not Overdrive the Fastener.

 ATAS INTERNATIONAL, INC Allentown PA 610-395-8445 Mesa AZ 480-558-7210		TITLE CastleTop Flanged Window Sill Detail		
		DWG. NO.	DR MBP APP DATE	DATE 8/7/2018
REV. NO.	DATE	DESCRIPTION OF REVISION	BY APP	SH. SIZE B SCALE X:X

02	1/10/2023	Updated J Channel to Snap Base with Snap J Cover and Optional Angle. Added Optional HWH Screw.	KRK
01	6/23/2020	Added Color Side Note.	KRK