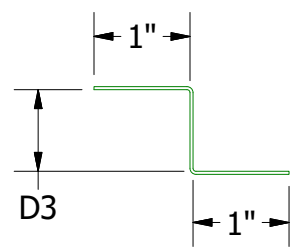
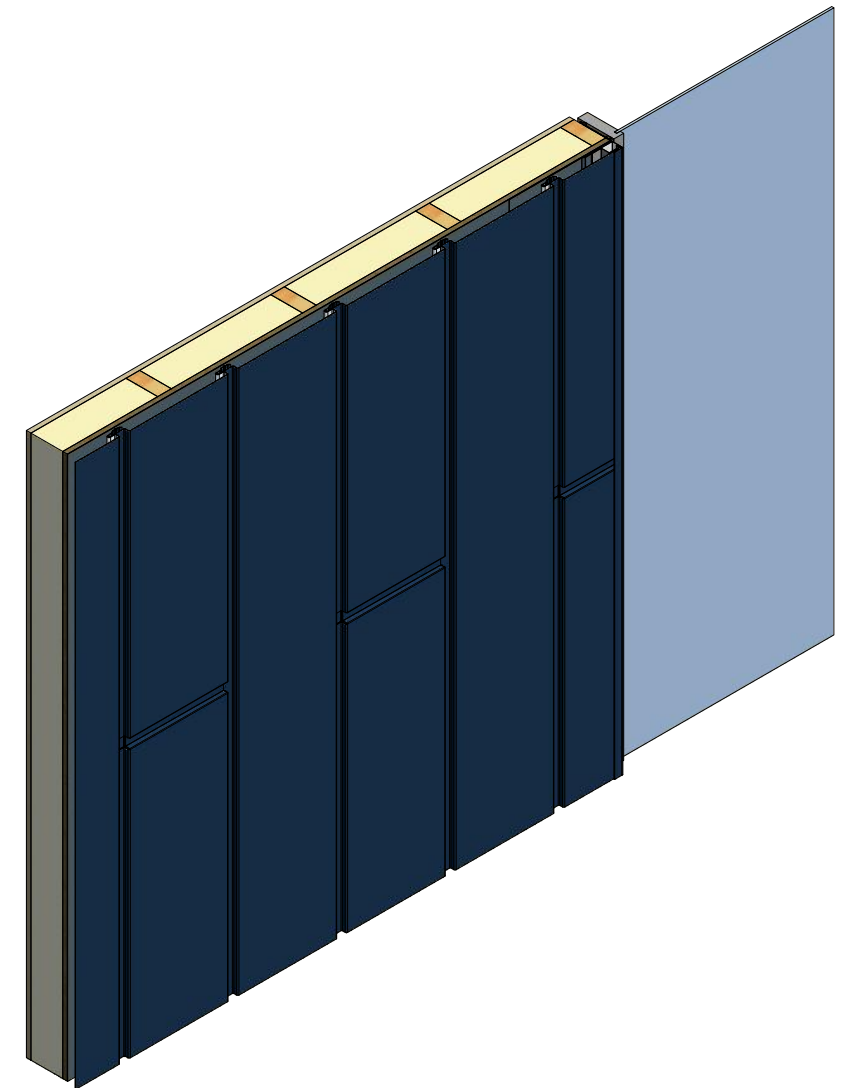
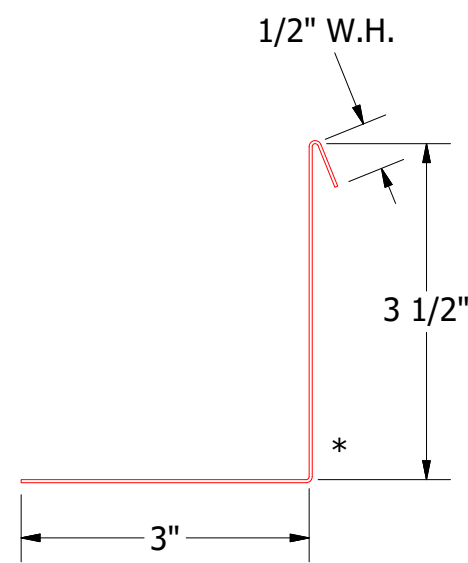


- Plywood Substrate
- Water and Air Resistive Barrier
- Design Wall Reveal Panel
- Membrane Strip
- Butyl Sealant Tape
- #10 x 1" Wafer Head Screw
- Support Z
- Snap Base
- S.S. Painted Pop Rivet (if appropriate)
- Appropriately Applied VHB Tape
- Snap J Cover

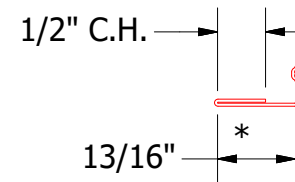
- Window
- Angle Trim with Return
- Backer Rod and Sealant



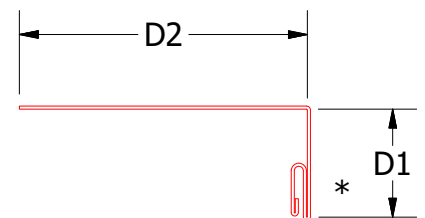
Support Z
 DWA681: D3 = 1"
 DSA681: D3 = 1 5/8"



DWA683/DSA683 - Angle Trim With Return



UNS078 - Snap J Cover



Snap Base
 DWA119: D1 = 1 1/8", D2 = 3"
 DSA179: D1 = 1 7/8", D2 = 2 1/4"

Note: * denotes color side.

| | | | | | | | | | |
|----------|--|----------|--|-------------------------|--|-----|--|------|--|
| REV. NO. | | DATE | | DESCRIPTION OF REVISION | | BY | | APP | |
| DWG. NO. | | DR | | DATE | | APP | | DATE | |
| MATERIAL | | SH. SIZE | | SCALE | | B | | X:X | |

ATAS ATAS INTERNATIONAL, INC
 Allentown PA
 610-395-8445
 Mesa AZ
 480-558-7210

TITLE: Design Wall Reveal Solid Window Jamb Vertical Detail
 DATE: 11/15/2022
 DR: KRK
 APP: DATE: SCALE: X:X