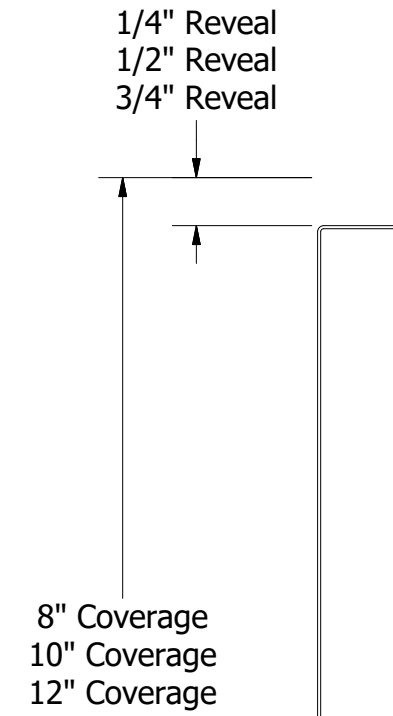
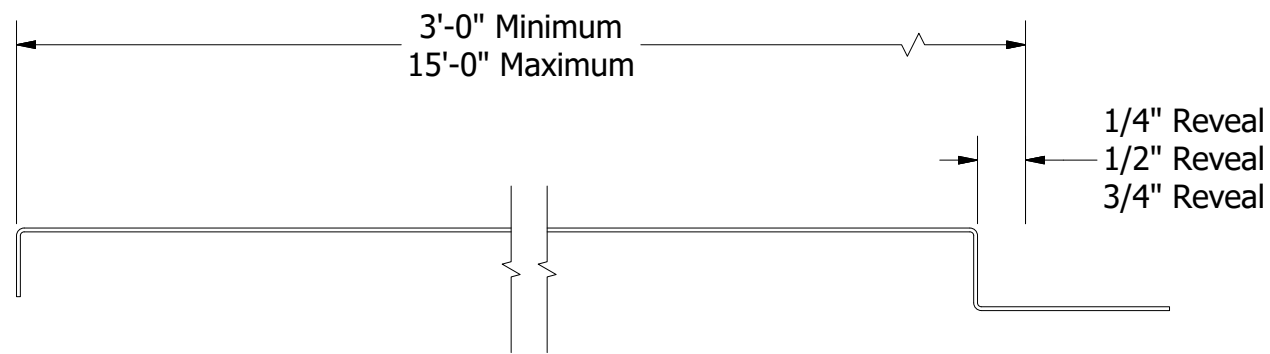




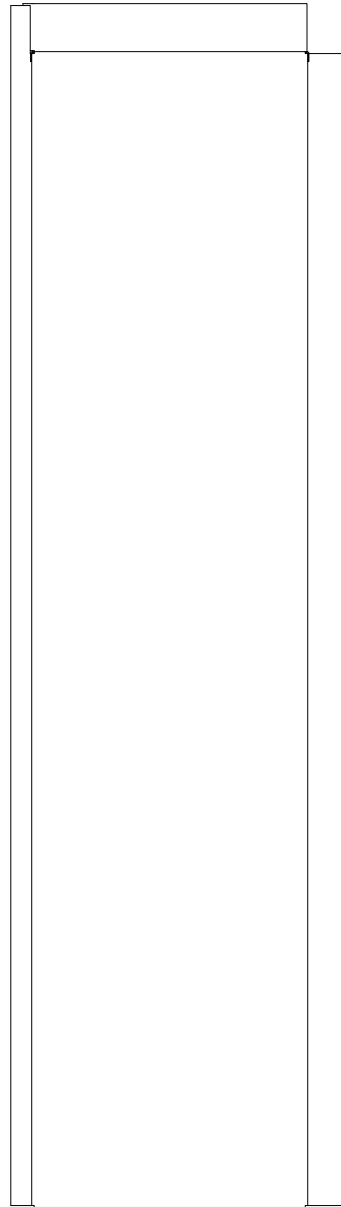
Versa-Seam Reveal Horizontal Panel



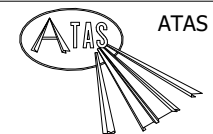
Section A-A



Section B-B



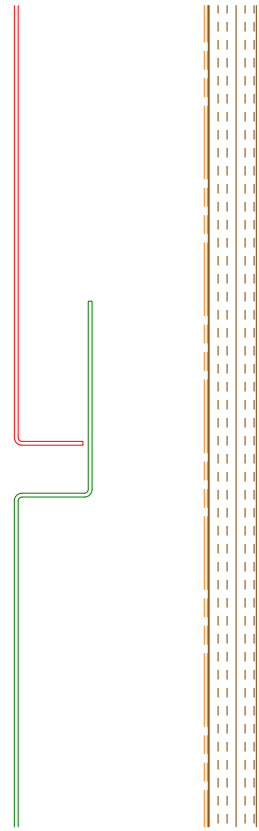
Versa-Seam Reveal Vertical Panel



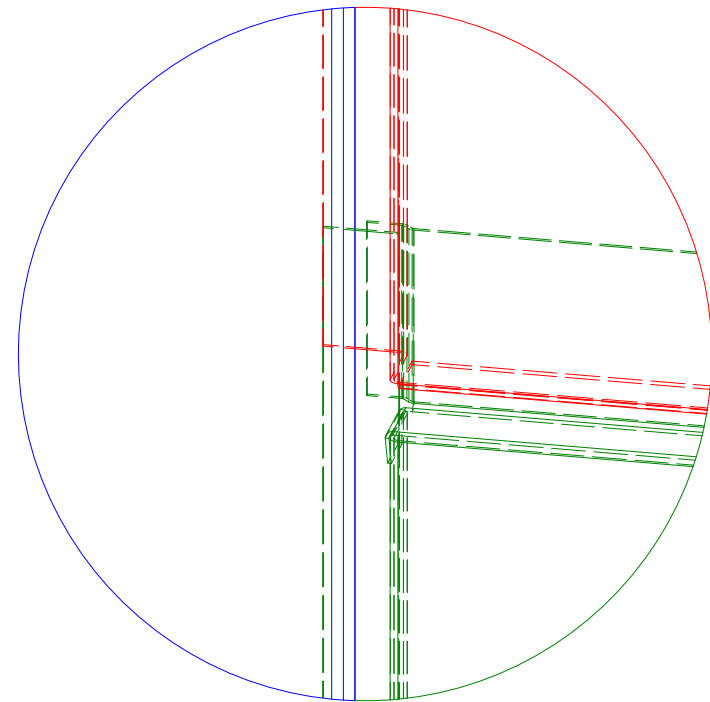
ATAS INTERNATIONAL, INC
 Allentown PA
 610-395-8445
 Mesa AZ
 480-558-7210

TITLE
Versa-Seam Reveal Open Panel Detail

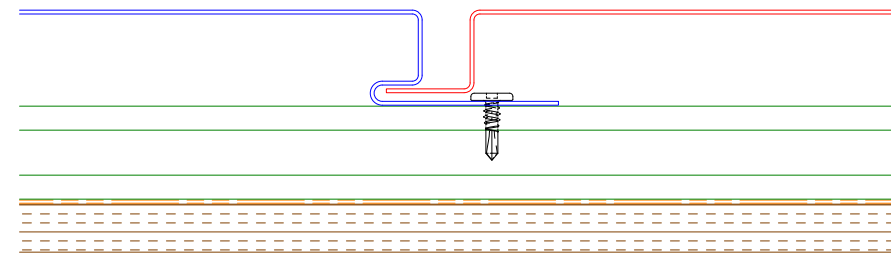
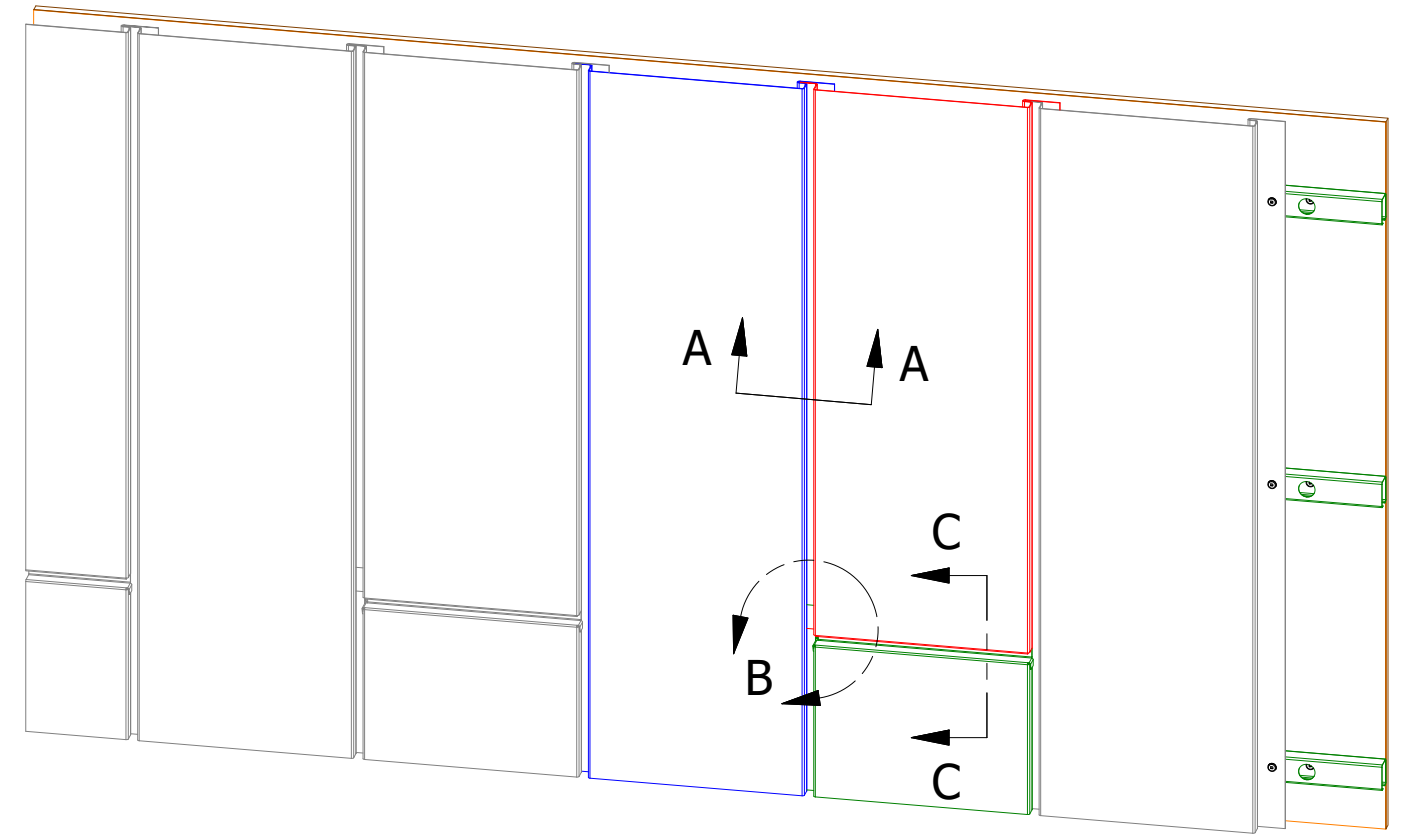
REV. NO.	DATE	DESCRIPTION OF REVISION	BY	APP	DWG. NO.	DR	KRK	DATE	10/28/2022
						APP		DATE	
					MATERIAL	SH. SIZE	B	SCALE	X:X



Section C-C
Panel Reveal Interlock

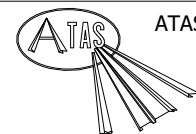


DETAIL B



Section A-A

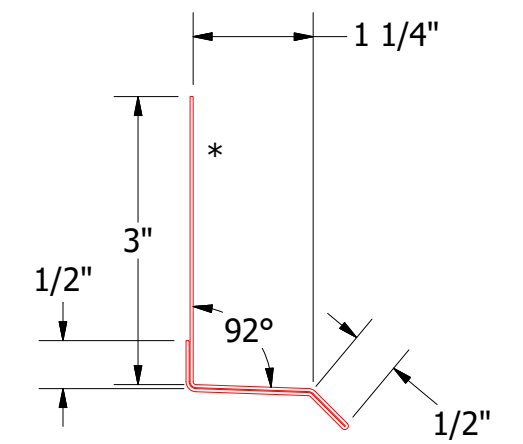
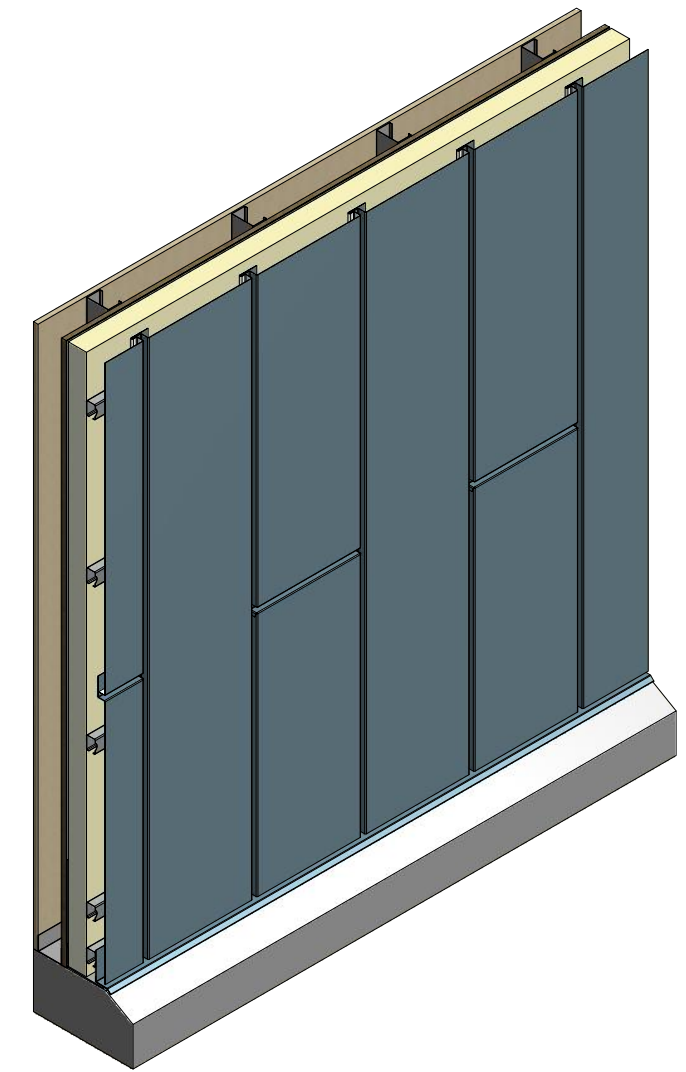
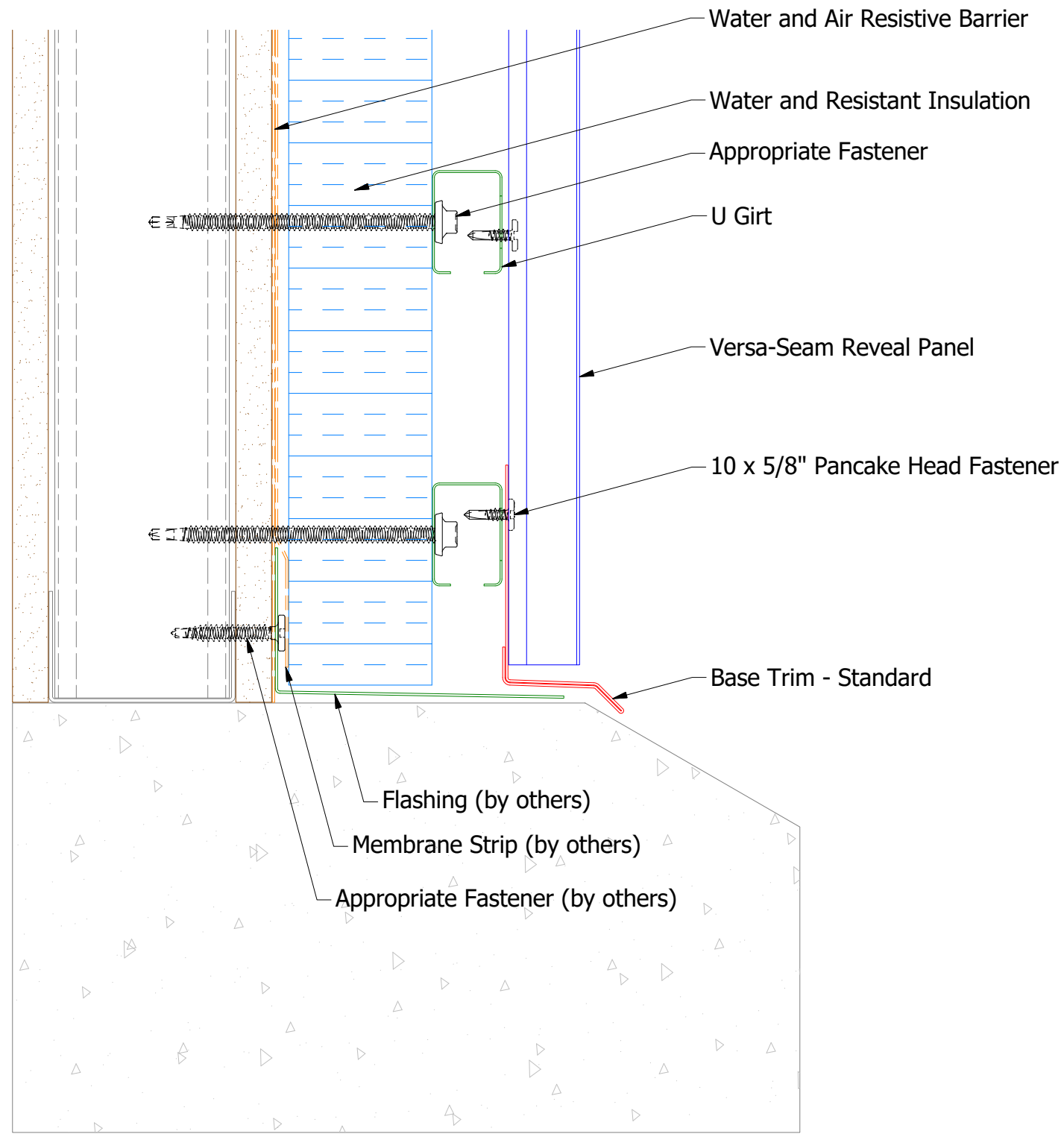
Note: Standard Panel Installation is Left to Right.



ATAS INTERNATIONAL, INC
Allentown PA
610-395-8445
Mesa AZ
480-558-7210

TITLE
Versa-Seam Reveal Open Vertical Panel Installation Detail

REV. NO.	DATE	DESCRIPTION OF REVISION	BY	APP	DWG. NO.	DR KRK	DATE 11/4/2022
						APP	DATE
					MATERIAL	SH. SIZE B	SCALE X:X

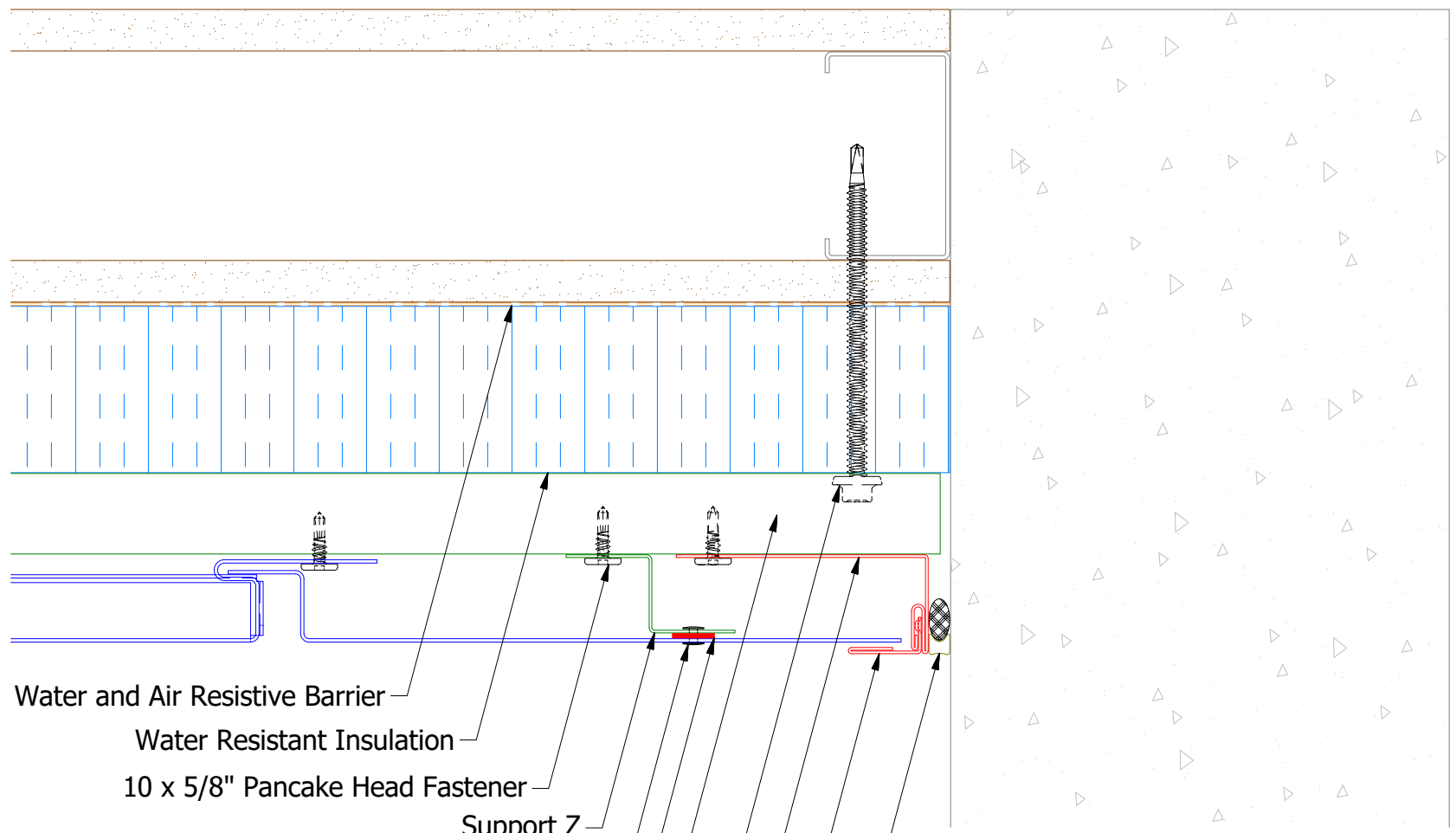


VSA661 - Base Trim - Standard

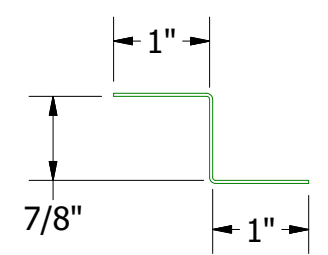
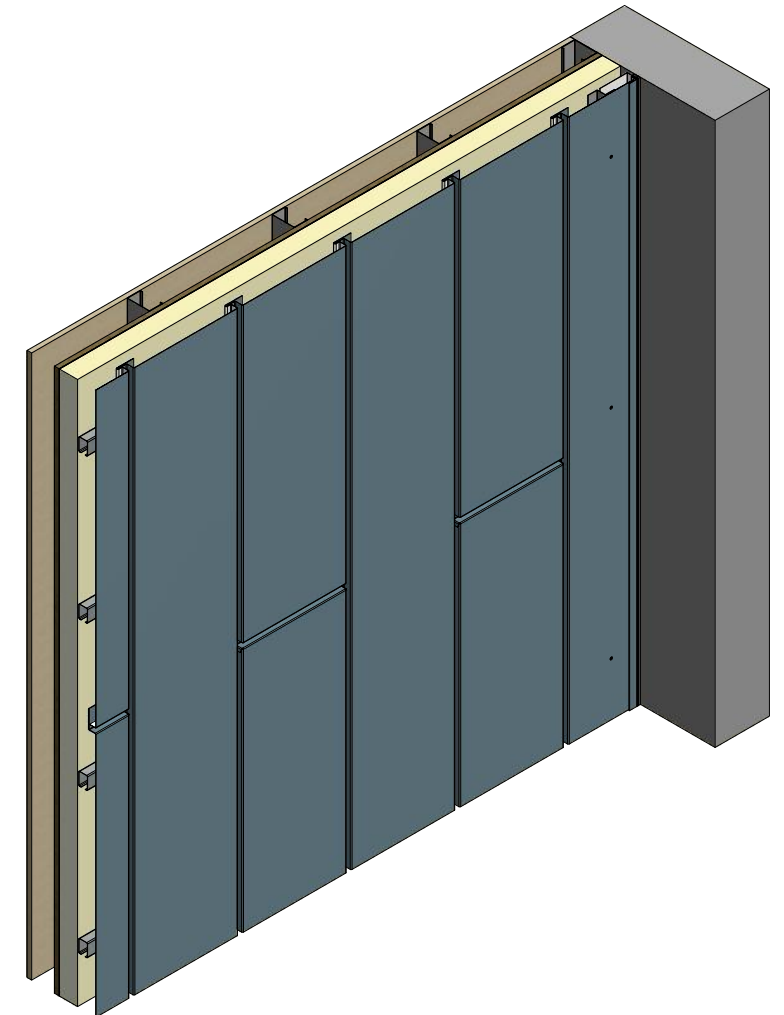
Note: * denotes color side.

ATAS ATAS INTERNATIONAL, INC
 Allentown PA
 610-395-8445
 Mesa AZ
 480-558-7210

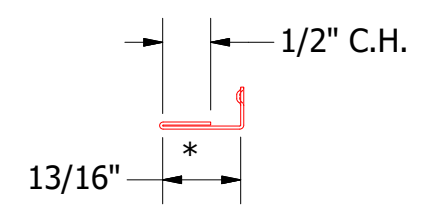
TITLE				Versa-Seam Reveal Open Vertical Base Detail	
DWG. NO.		DR		DATE	
		KRK		10/13/2022	
MATERIAL		APP		DATE	
		SH. SIZE		SCALE	
		B		X:X	
REV. NO.	DATE	DESCRIPTION OF REVISION	BY	APP	



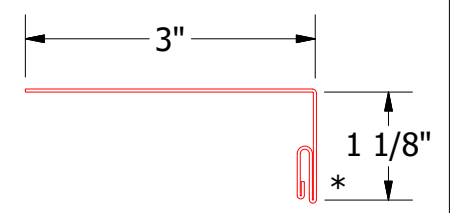
- Water and Air Resistive Barrier
- Water Resistant Insulation
- 10 x 5/8" Pancake Head Fastener
- Support Z
- S.S. Painted Pop Rivets
- Appropriately Applied VHB Tape
- U Girt
- Appropriate Fastener
- Snap Base
- Snap J Cover
- Backer Rod and Sealant



VSA681 - Support Z



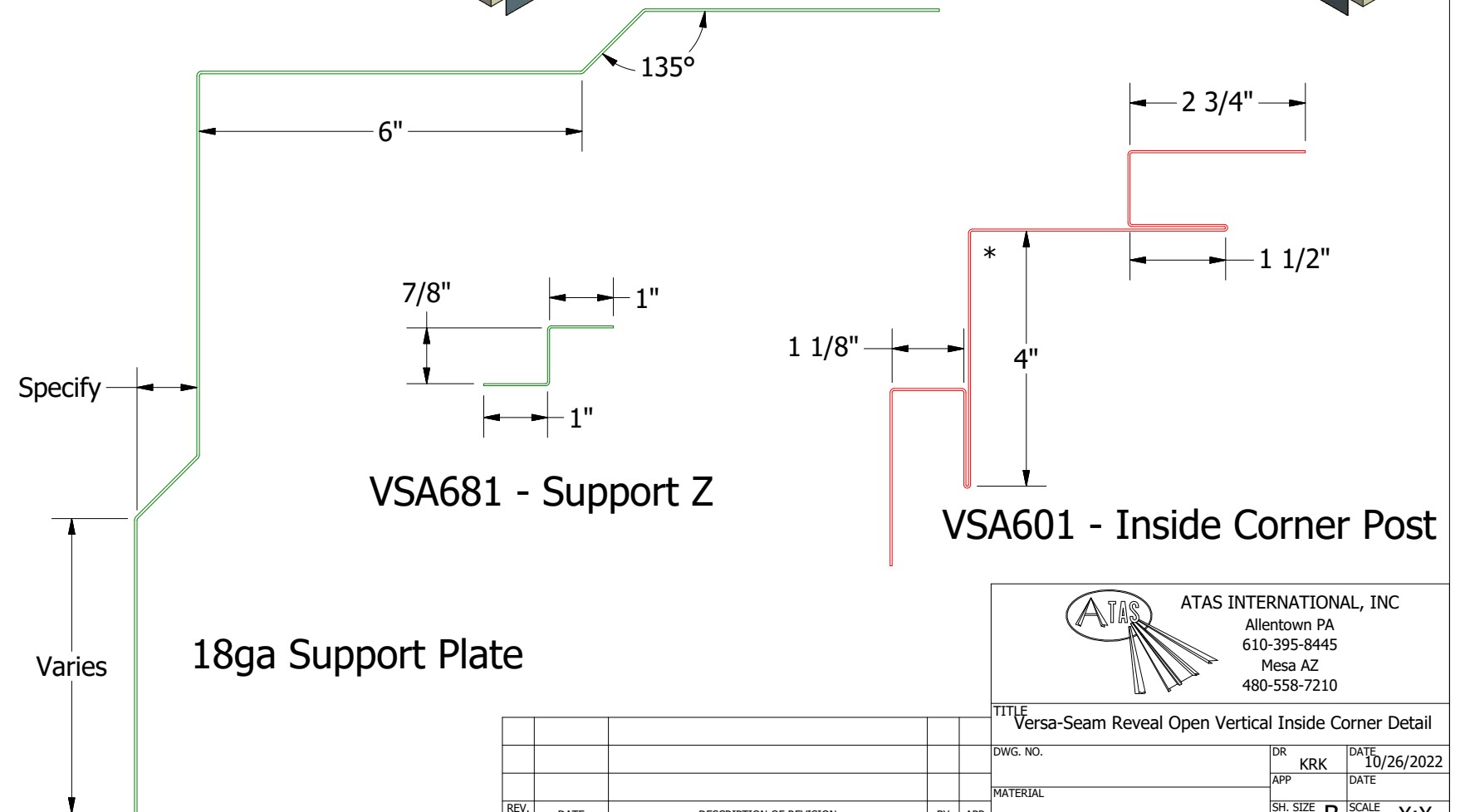
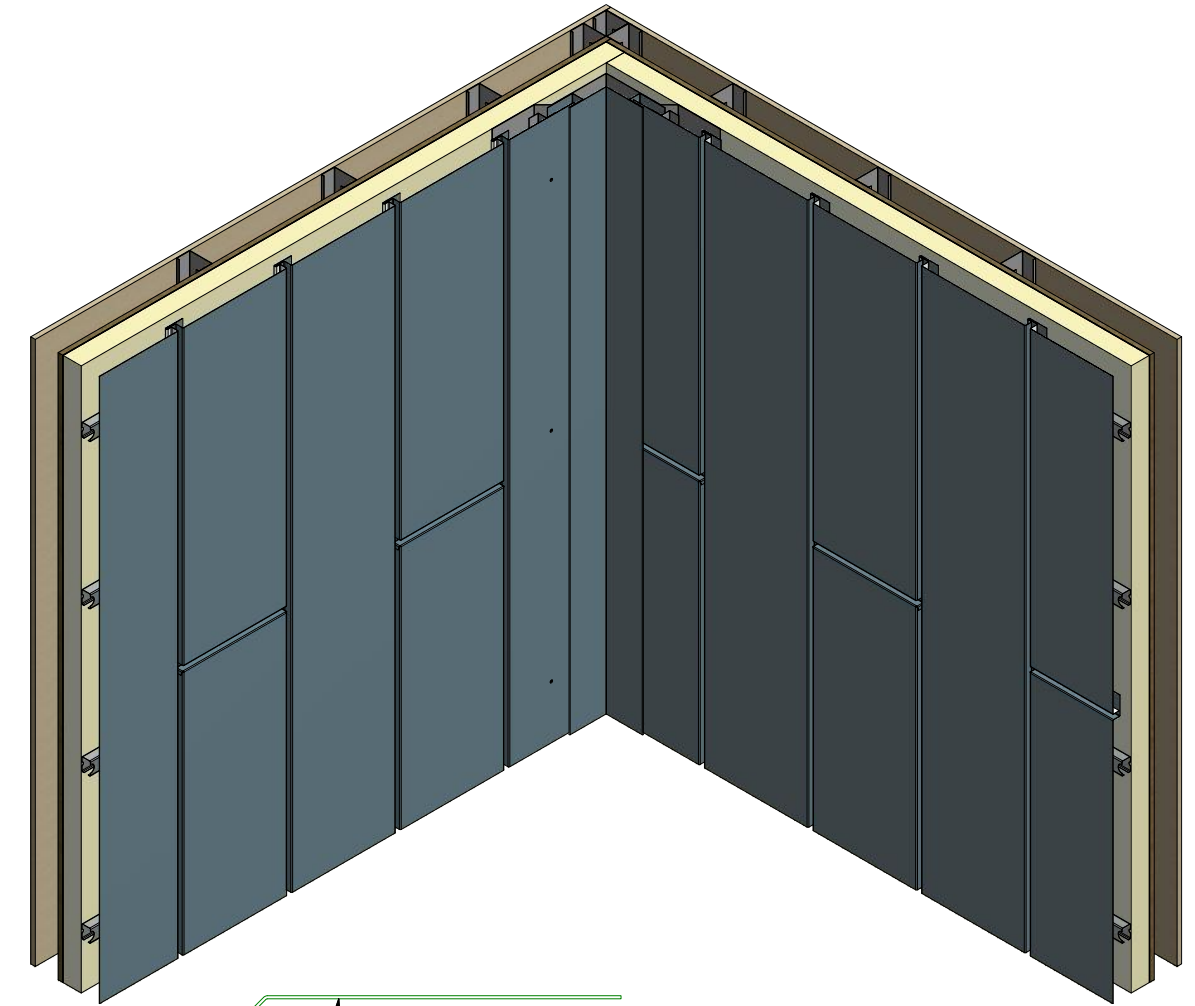
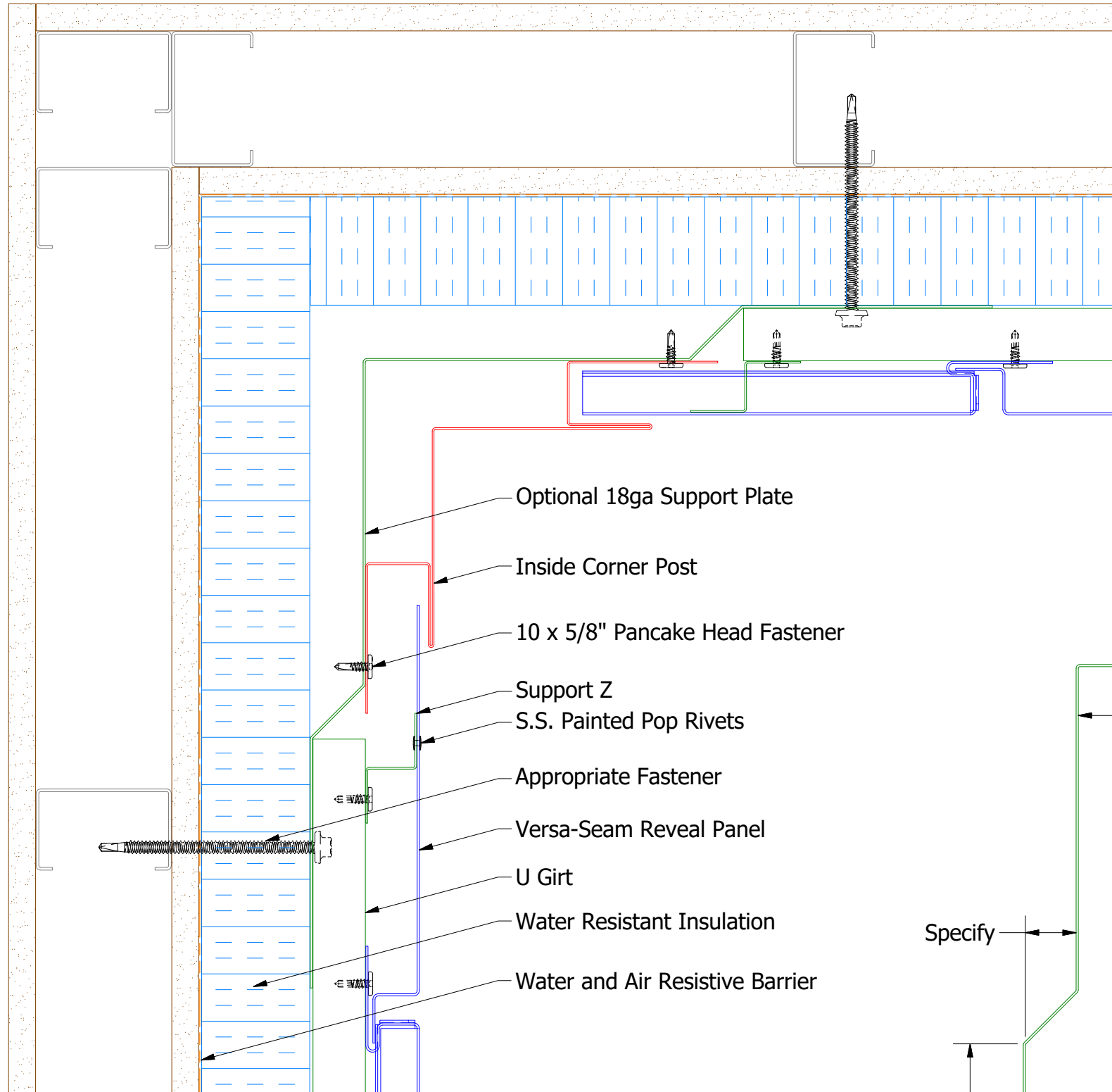
UNS078 - Snap J Cover



VSA119 - Snap Base

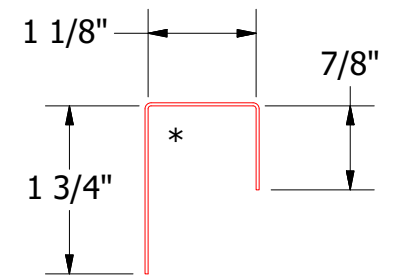
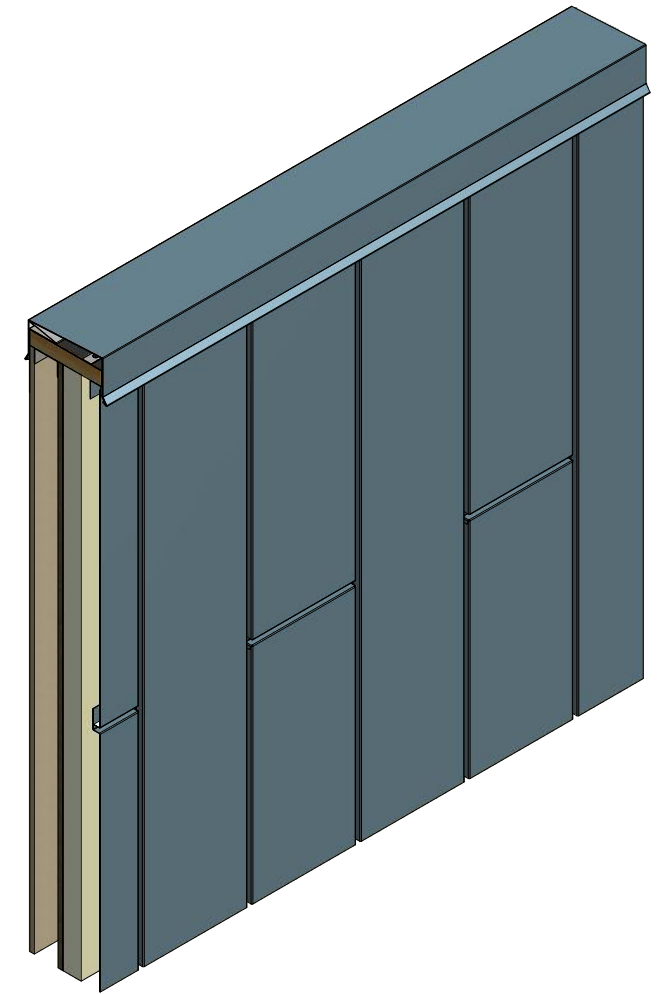
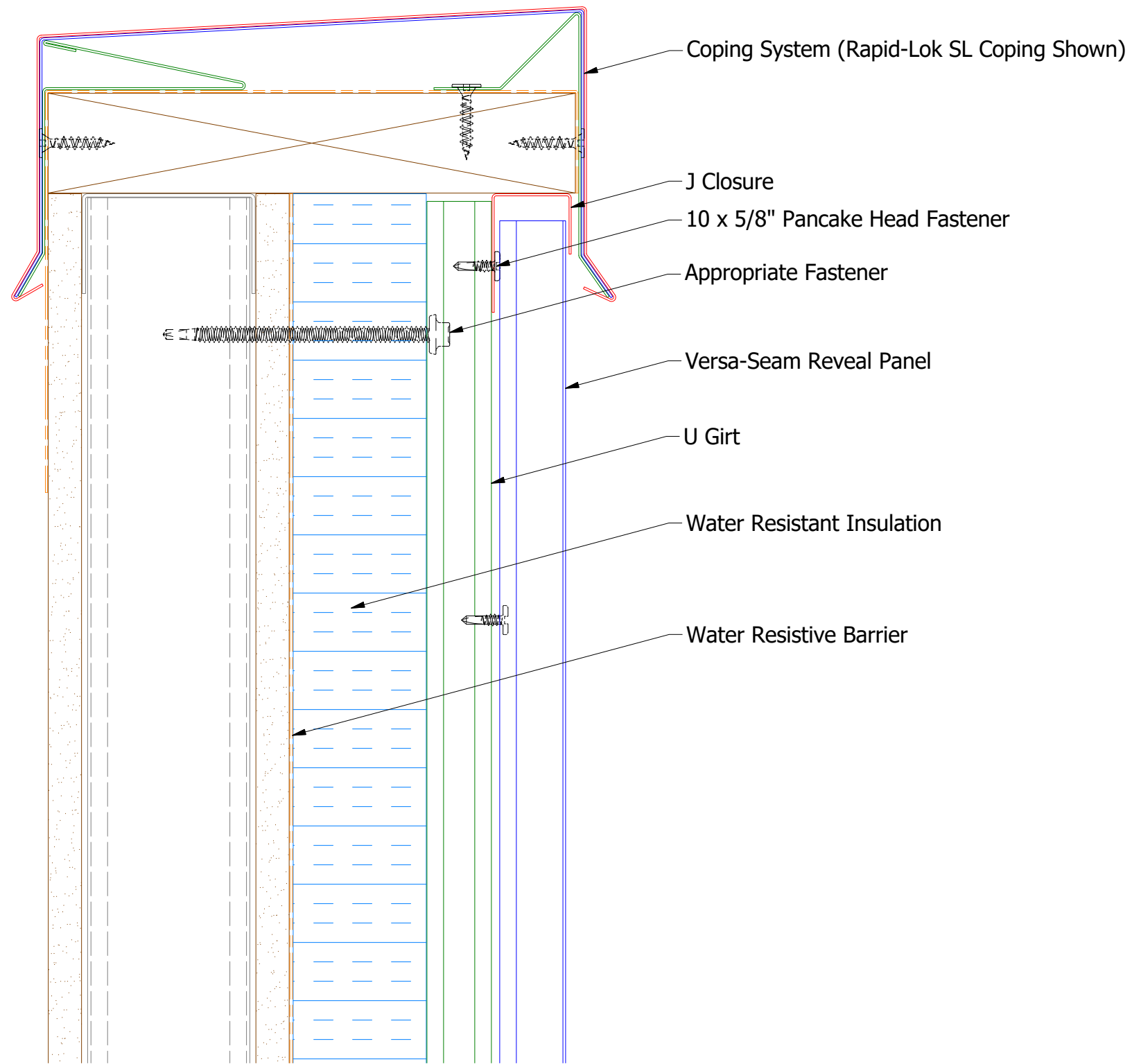
Note: * denotes color side.

		ATAS INTERNATIONAL, INC Allentown PA 610-395-8445 Mesa AZ 480-558-7210	
		TITLE Versa-Seam Reveal Open Vertical Endwall Detail	
DWG. NO.	DR	DATE	
	KRK	10/14/2022	
MATERIAL	APP	DATE	
REV. NO.	DATE	DESCRIPTION OF REVISION	BY APP
	SH. SIZE	B	SCALE X:X



Note: * denotes color side.
 Note: Optional 18ga Support Plate Available.

		ATAS INTERNATIONAL, INC Allentown PA 610-395-8445 Mesa AZ 480-558-7210	
TITLE Versa-Seam Reveal Open Vertical Inside Corner Detail			
DWG. NO.	DR	KRK	DATE 10/26/2022
MATERIAL	APP		DATE
REV. NO.	DATE	DESCRIPTION OF REVISION	BY APP
			SH. SIZE B
			SCALE X:X

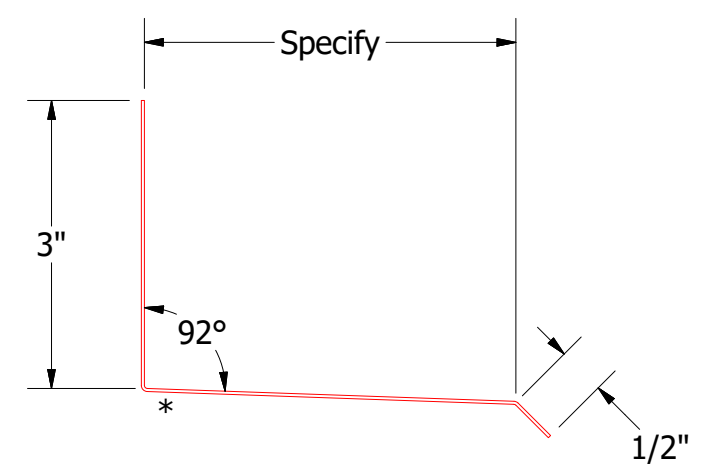
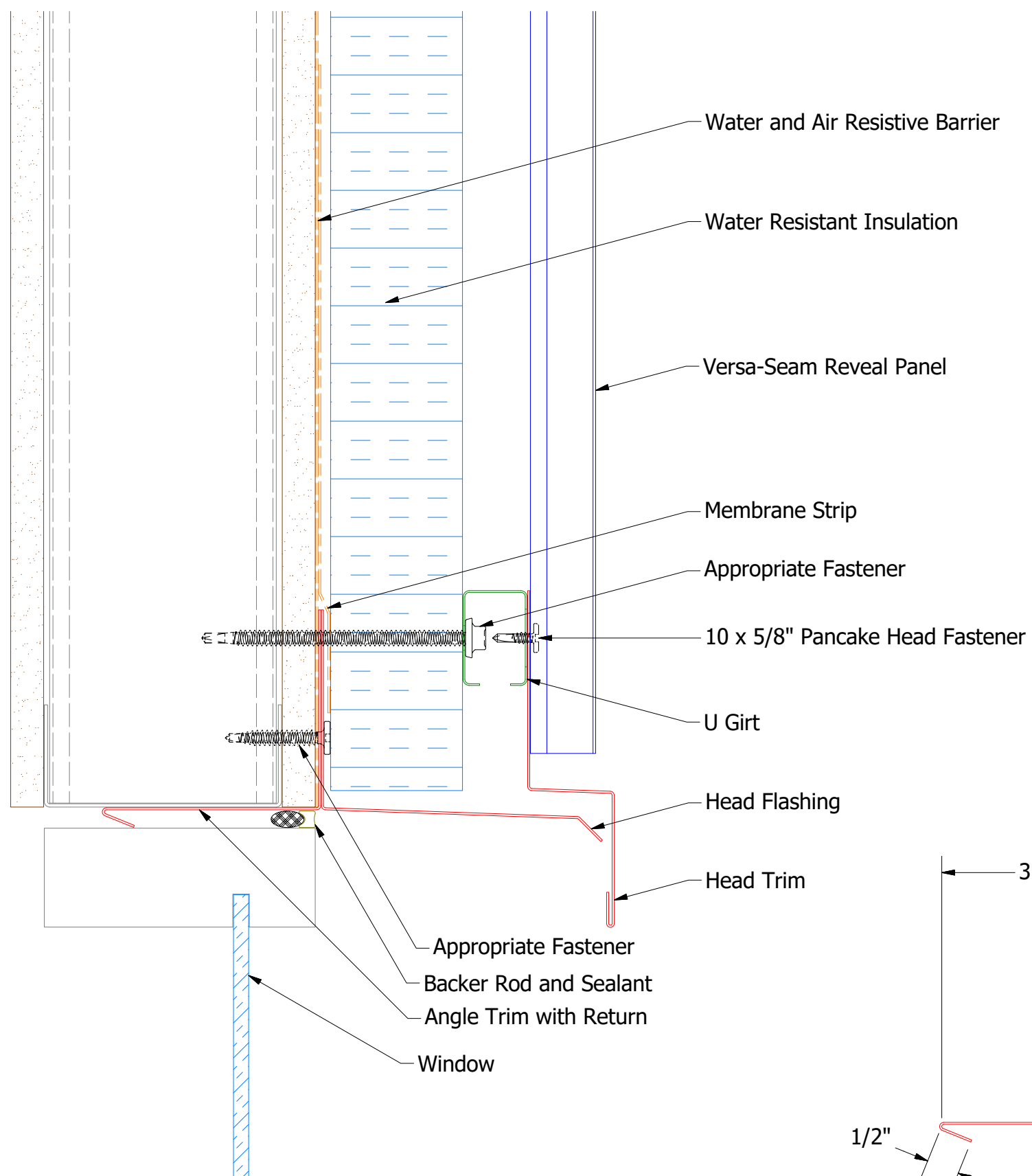


VSA270 - J Closure

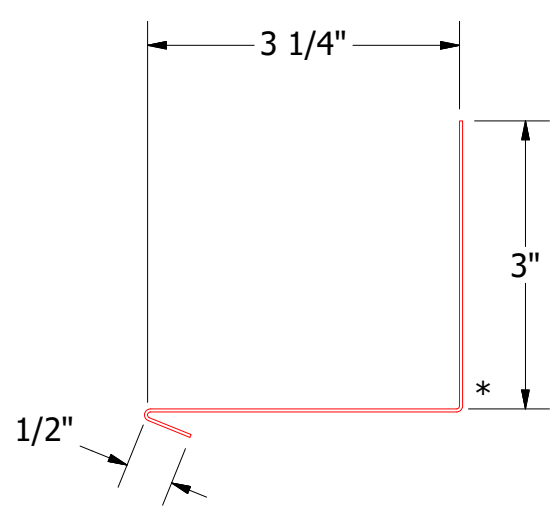
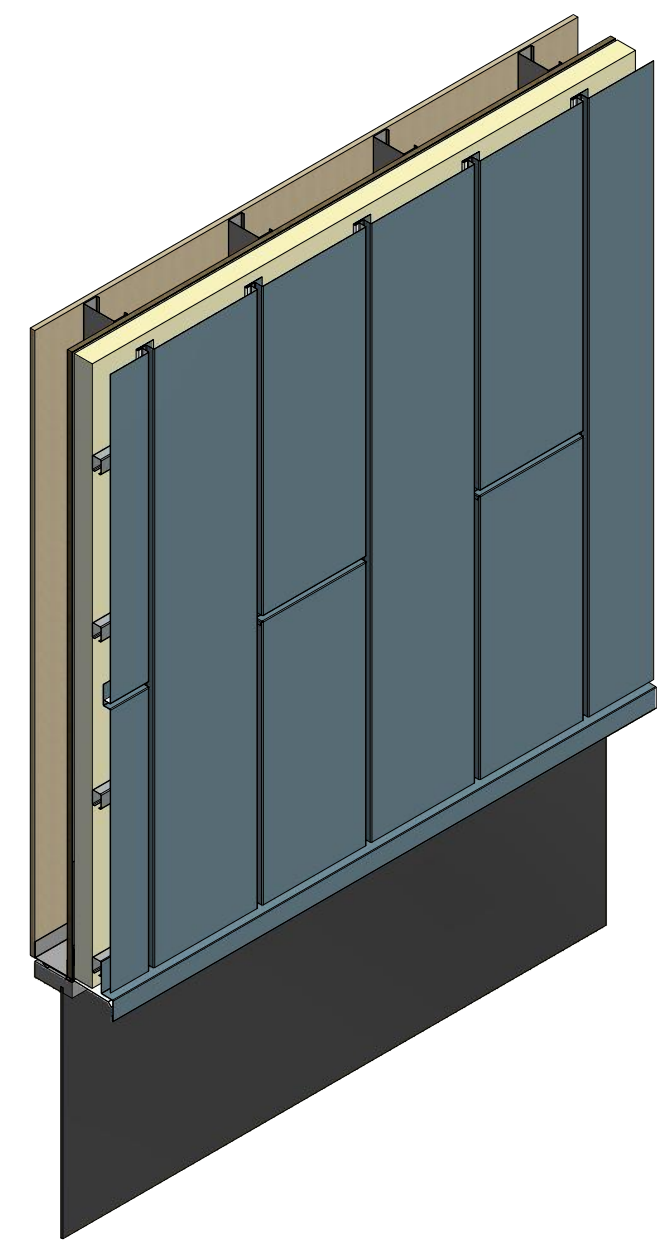
ATAS ATAS INTERNATIONAL, INC
 Allentown PA
 610-395-8445
 Mesa AZ
 480-558-7210

Note: * denotes color side.

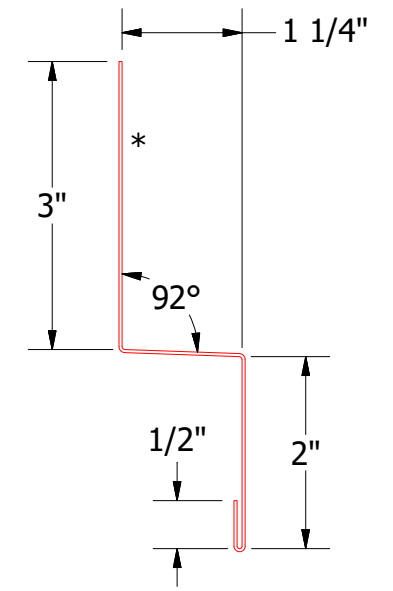
TITLE				Versa-Seam Reveal Open Vertical Top of Wall Detail	
DWG. NO.		DR		DATE	
		KRK		10/27/2022	
MATERIAL		APP		DATE	
REV. NO.	DATE	DESCRIPTION OF REVISION	BY	APP	SCALE
					B X:X



Head Flashing
(field fabricated from color matched flat stock)



Angle Trim with Return
(field fabricated from color matched flat stock)



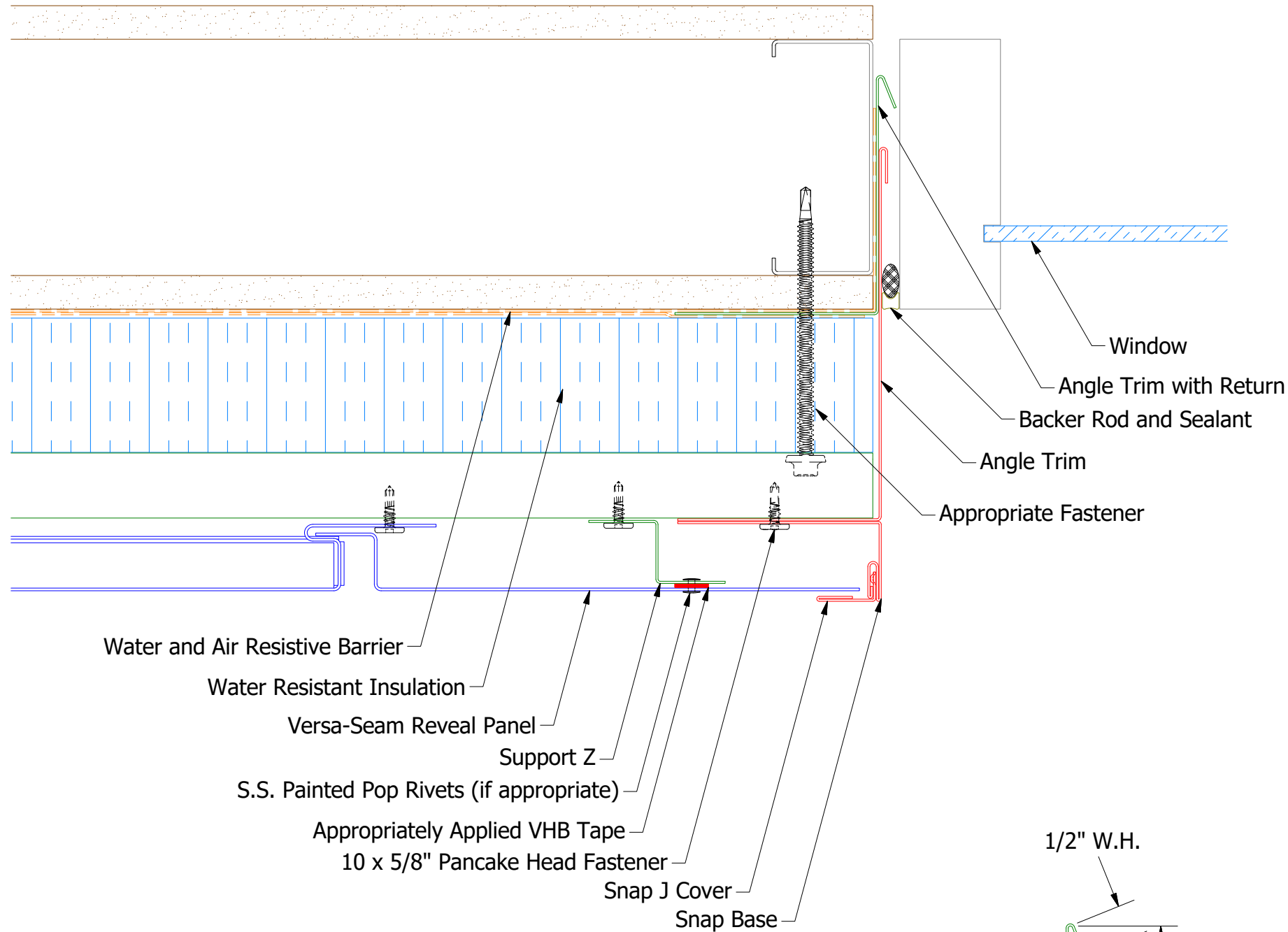
VSA550 - Head Trim

Note: * denotes color side.

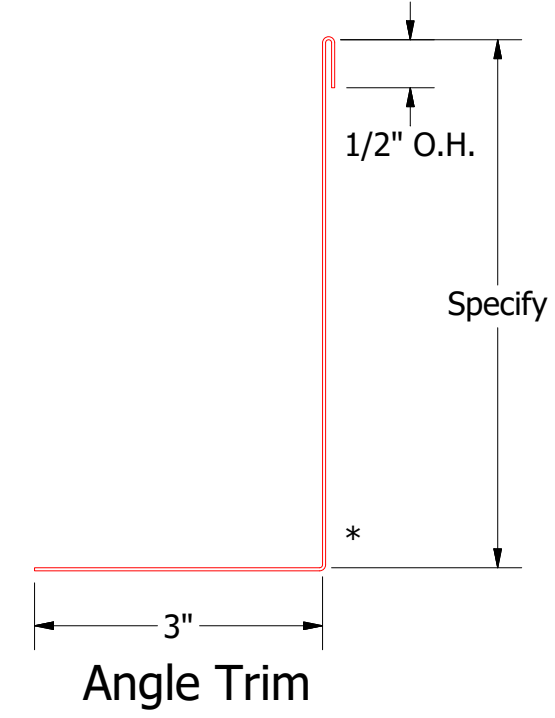
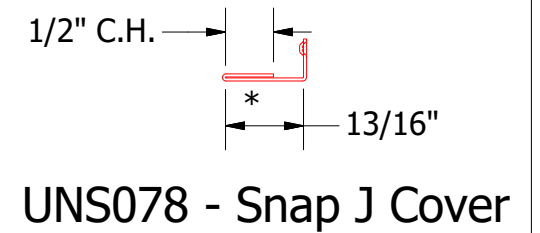
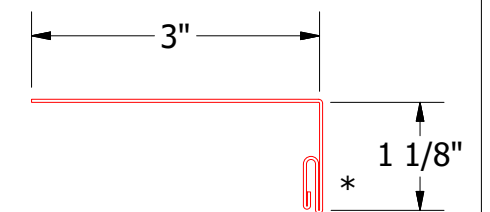
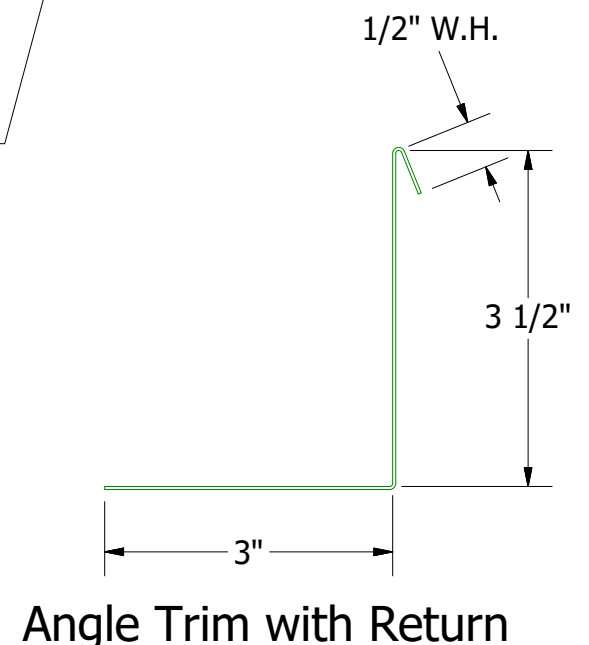
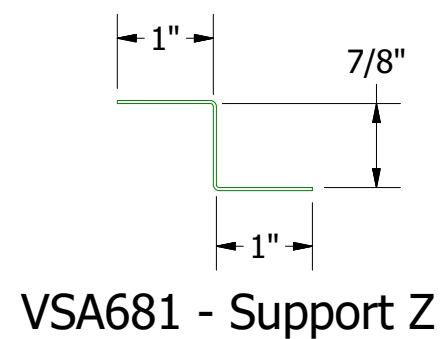
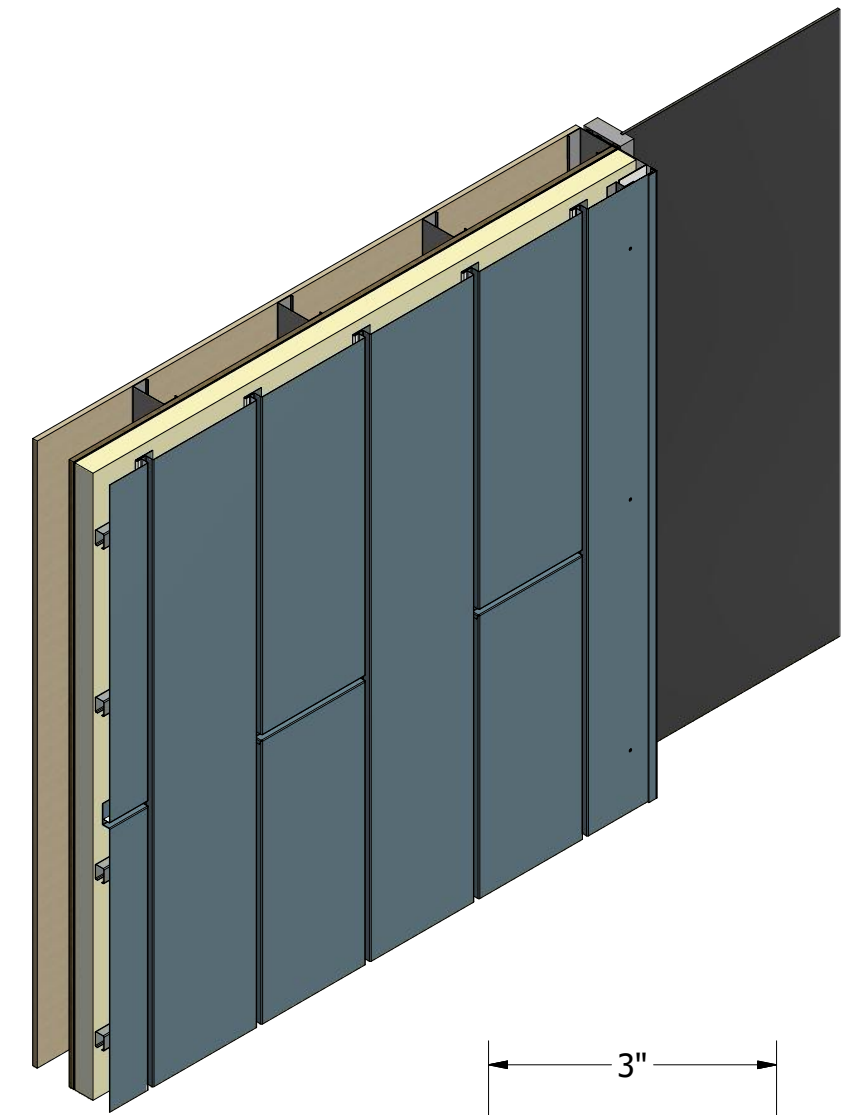
ATAS ATAS INTERNATIONAL, INC
 Allentown PA
 610-395-8445
 Mesa AZ
 480-558-7210

TITLE
Versa-Seam Reveal Open Vertical Head Detail

DWG. NO.	DR	DATE				
	KRK	10/27/2022				
MATERIAL	APP	DATE				
REV. NO.	DATE	DESCRIPTION OF REVISION	BY	APP	SH. SIZE	SCALE
					B	X:X

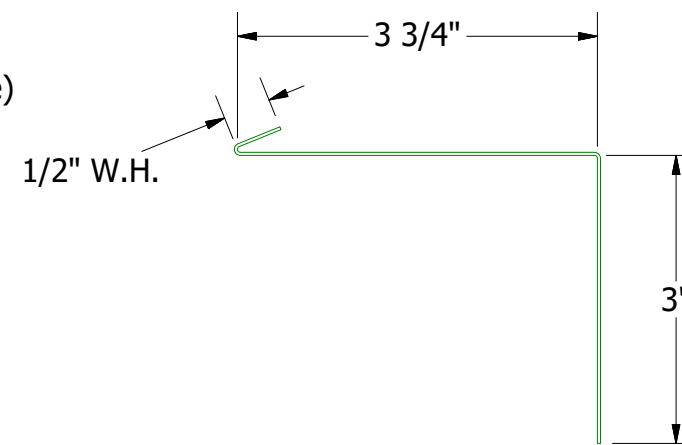
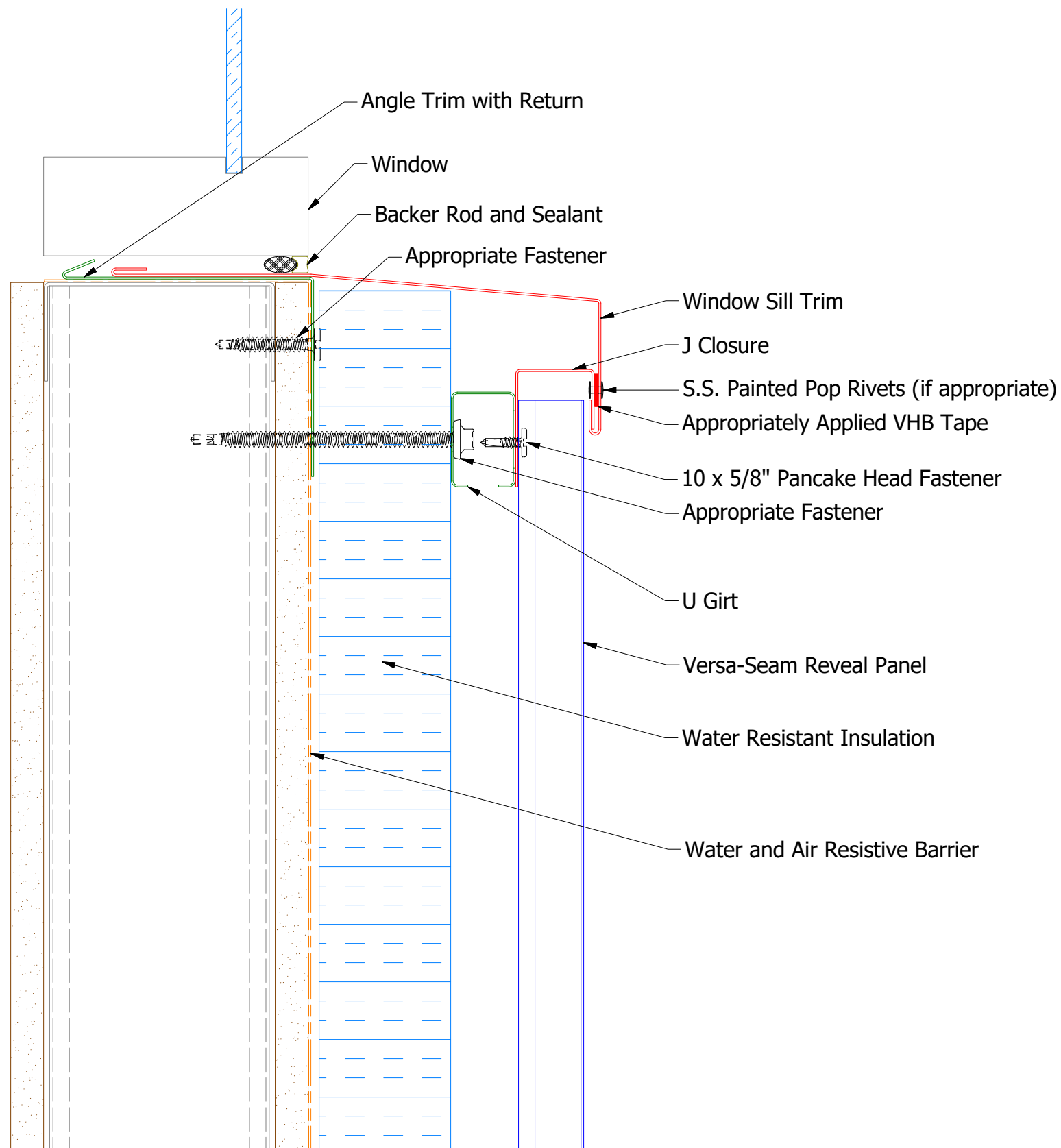


- Water and Air Resistive Barrier
- Water Resistant Insulation
- Versa-Seam Reveal Panel
- Support Z
- S.S. Painted Pop Rivets (if appropriate)
- Appropriately Applied VHB Tape
- 10 x 5/8" Pancake Head Fastener
- Snap J Cover
- Snap Base

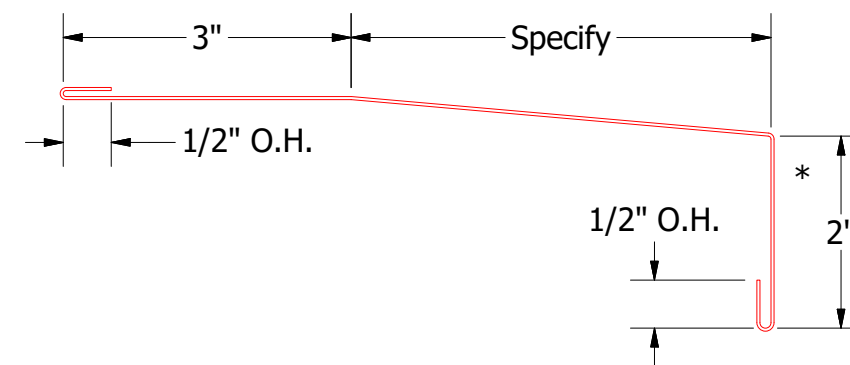
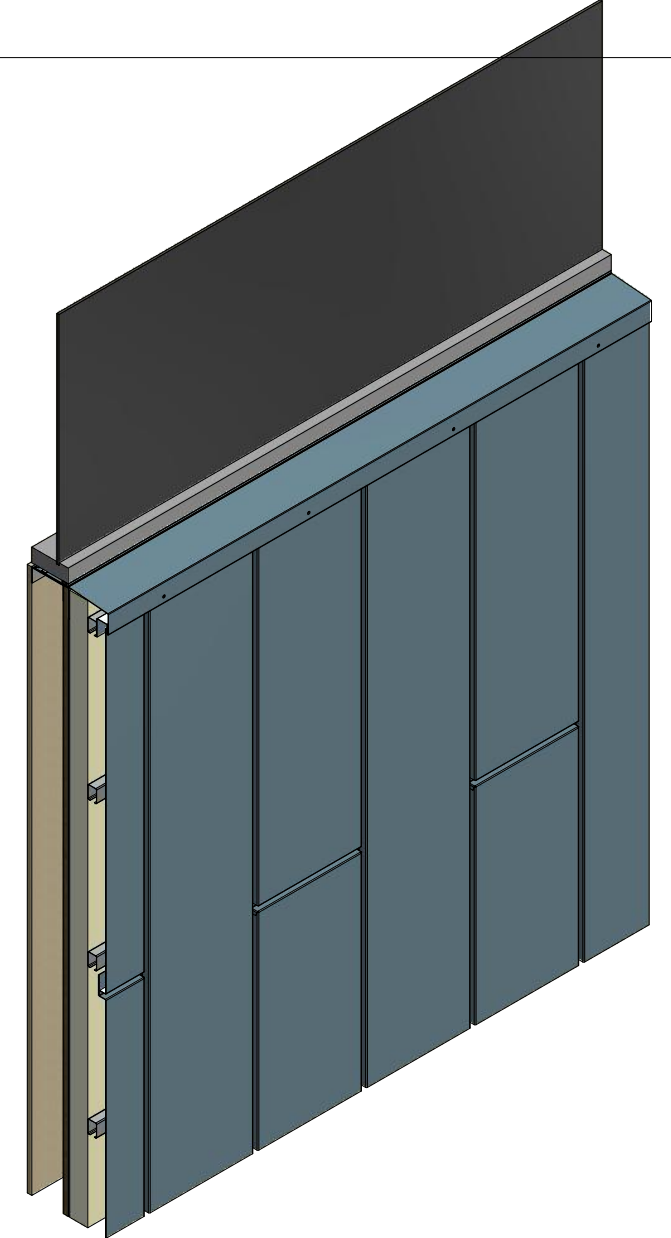


Note: * denotes color side.

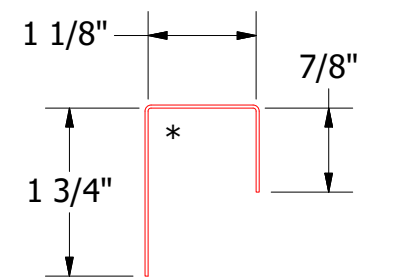
		ATAS INTERNATIONAL, INC Allentown PA 610-395-8445 Mesa AZ 480-558-7210	
TITLE Versa-Seam Reveal Open Horizontal Jamb Detail			
DWG. NO. 	DR KRK	DATE 10/27/2022	
MATERIAL 	APP 	DATE 	
REV. NO. 	DATE 	DESCRIPTION OF REVISION 	BY APP
		SH. SIZE B	SCALE X:X



Angle Trim with Return
(field fabricated from flat stock)



Window Sill Trim



VSA270 - J Closure


ATAS INTERNATIONAL, INC
 Allentown PA
 610-395-8445
 Mesa AZ
 480-558-7210

REV. NO.		DATE	DESCRIPTION OF REVISION	BY	APP	TITLE Versa-Seam Reveal Open Vertical Window Sill Detail	
DWG. NO.		DR	KRK	DATE	10/28/2022	SH. SIZE B SCALE X:X	
MATERIAL		APP		DATE			