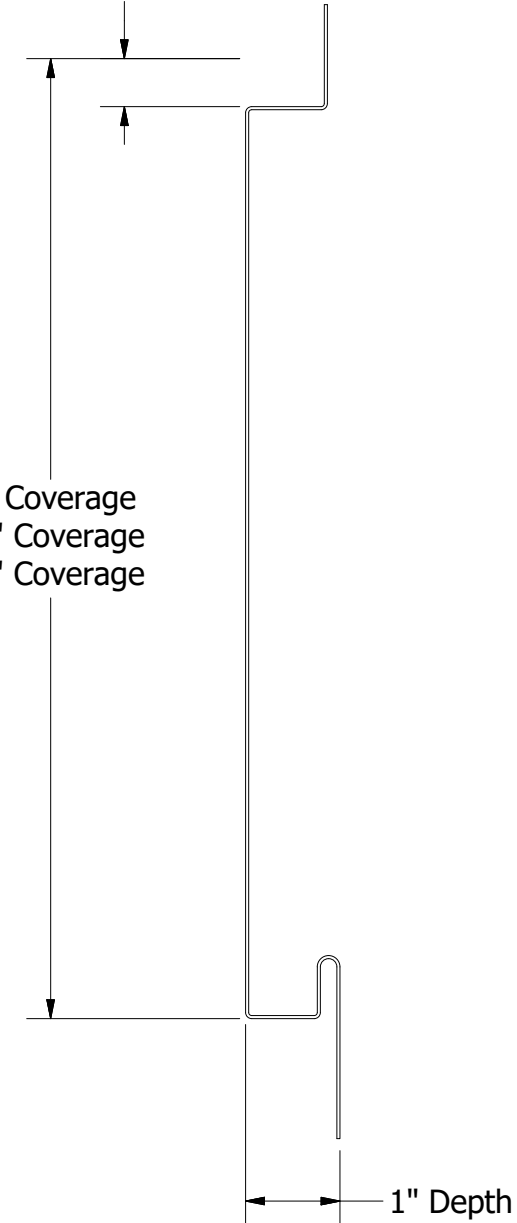




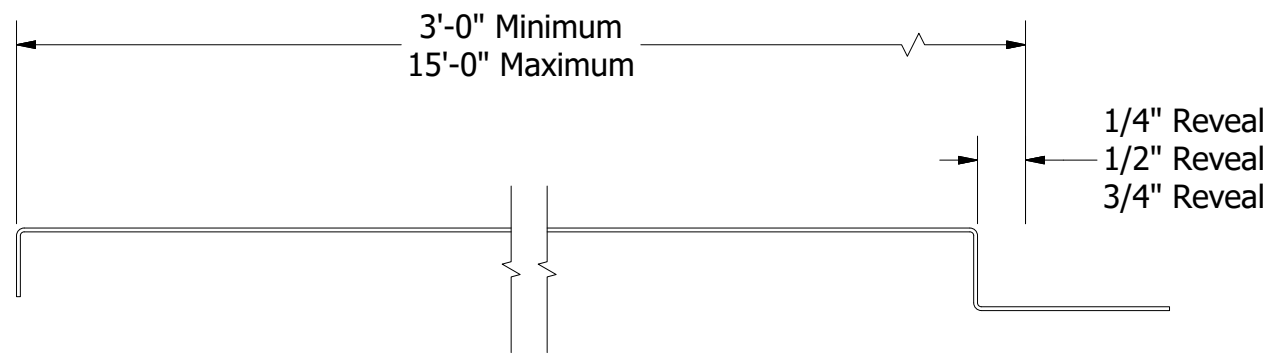
Versa-Seam Reveal Horizontal Panel

1/4" Reveal
1/2" Reveal
3/4" Reveal

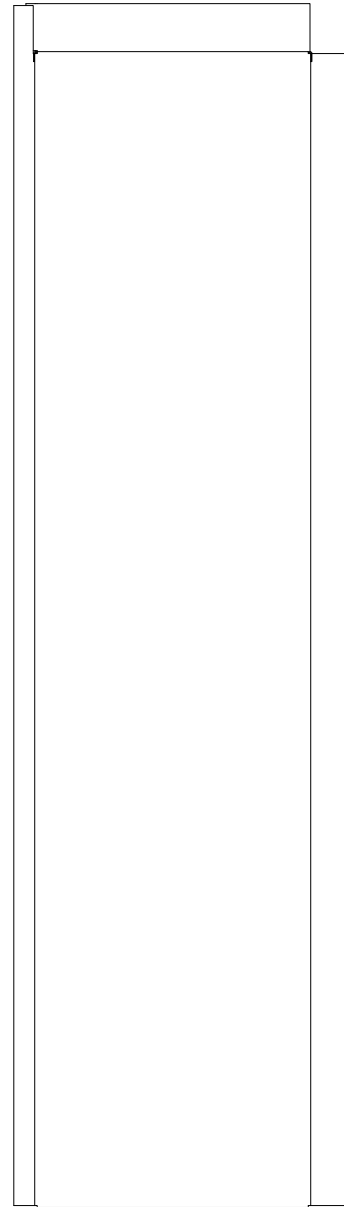
8" Coverage
10" Coverage
12" Coverage



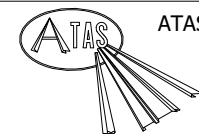
Section A-A



Section B-B



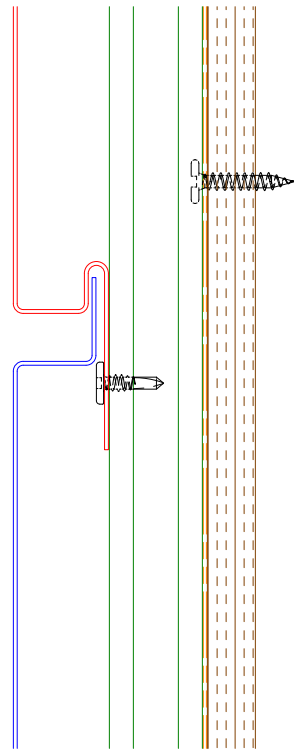
Versa-Seam Reveal Vertical Panel



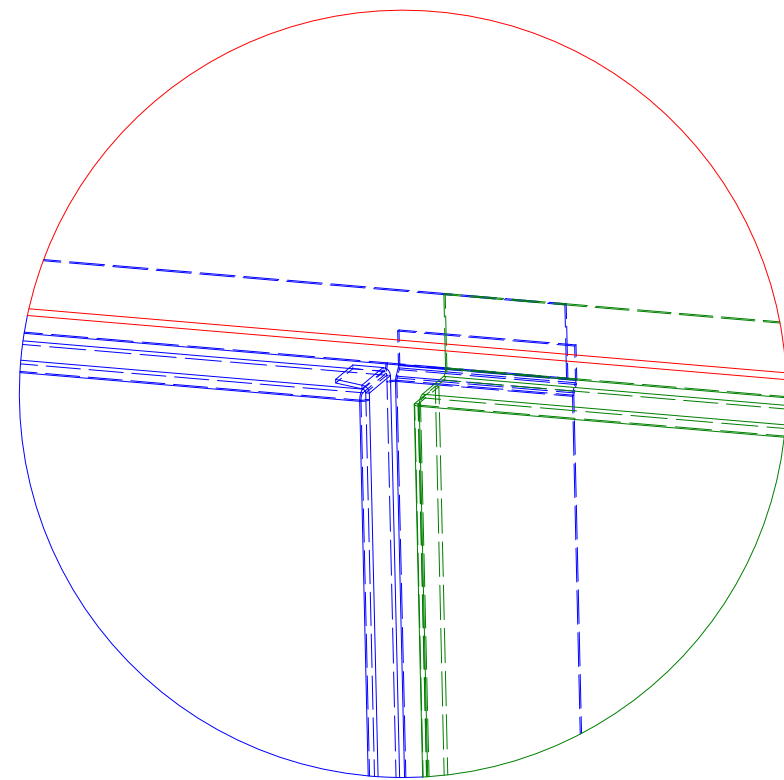
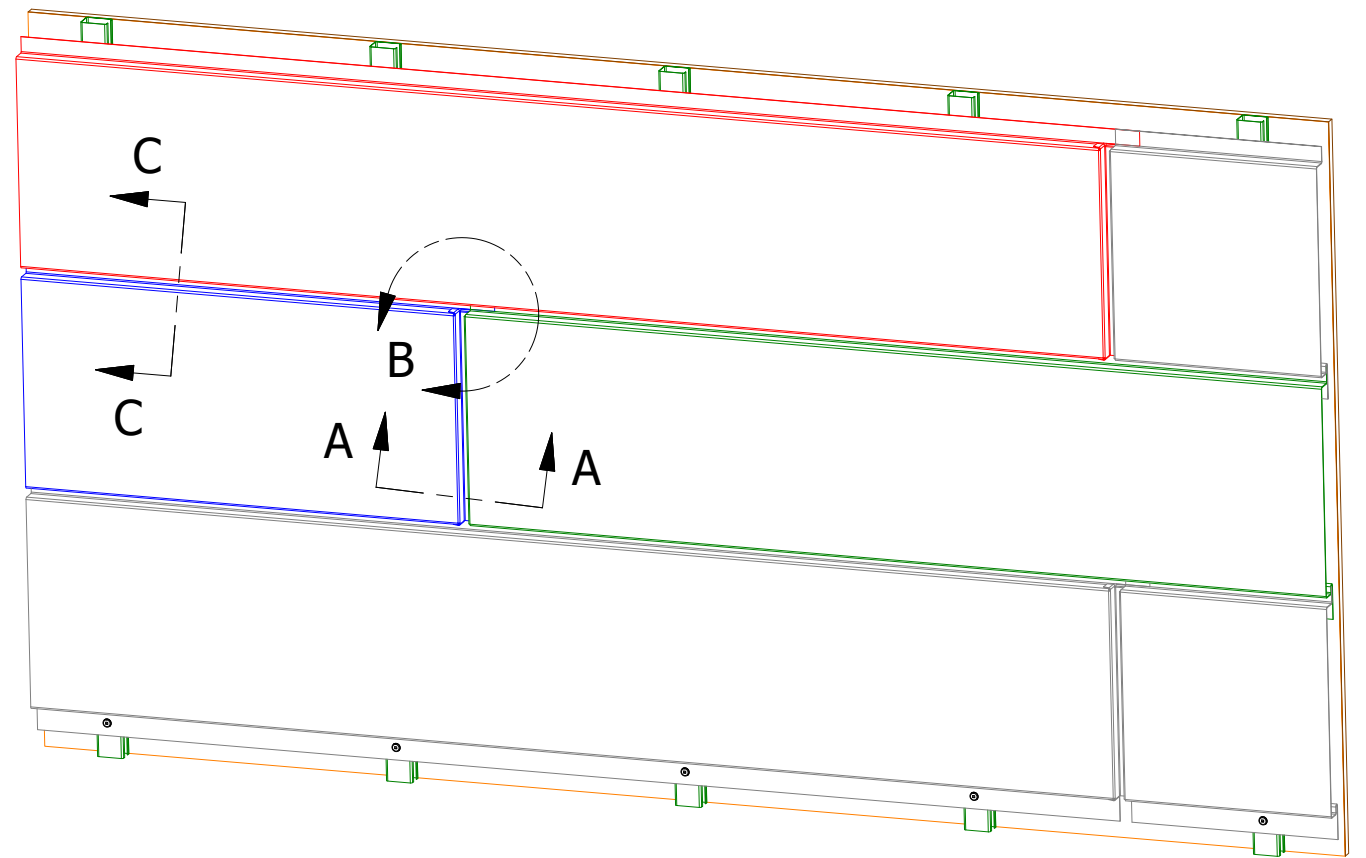
ATAS INTERNATIONAL, INC
Allentown PA
610-395-8445
Mesa AZ
480-558-7210

TITLE
Versa-Seam Reveal Open Panel Detail

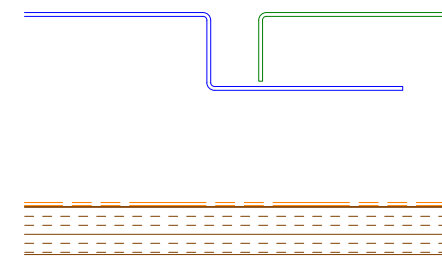
REV. NO.	DATE	DESCRIPTION OF REVISION	BY	APP	DWG. NO.	DR KRK	DATE 10/28/2022
						APP	DATE
					MATERIAL	SH. SIZE B	SCALE X:X



Section C-C



DETAIL B



Section A-A
Panel Reveal Interlock

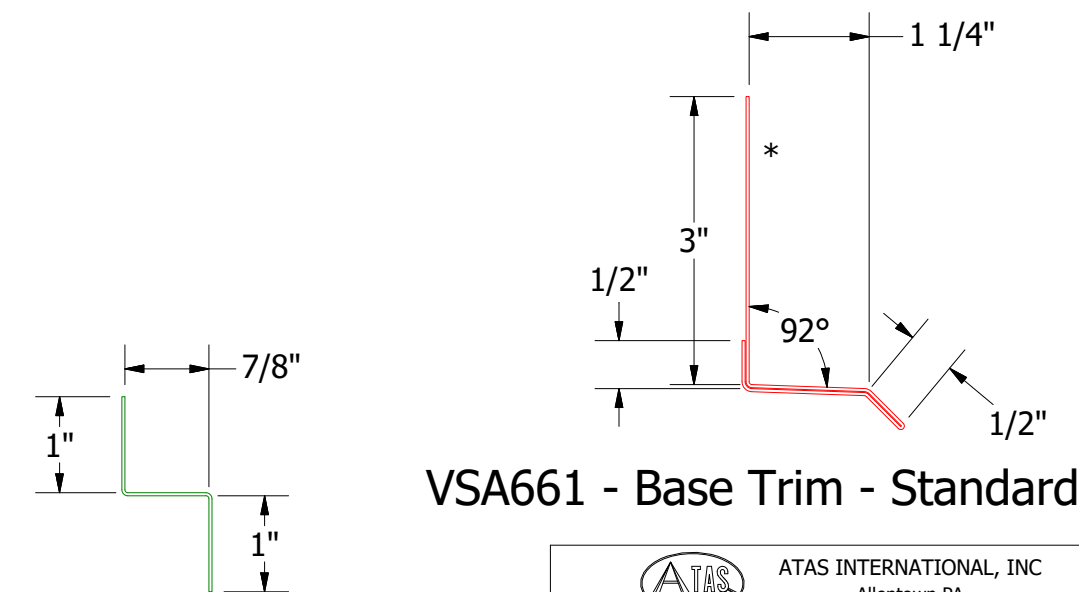
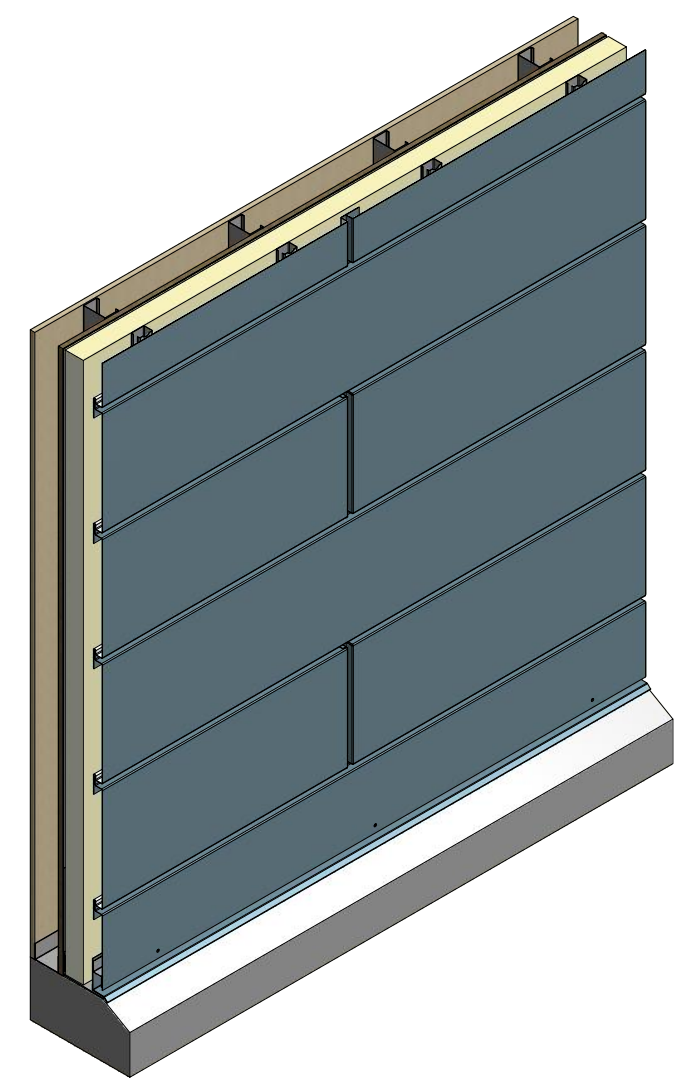
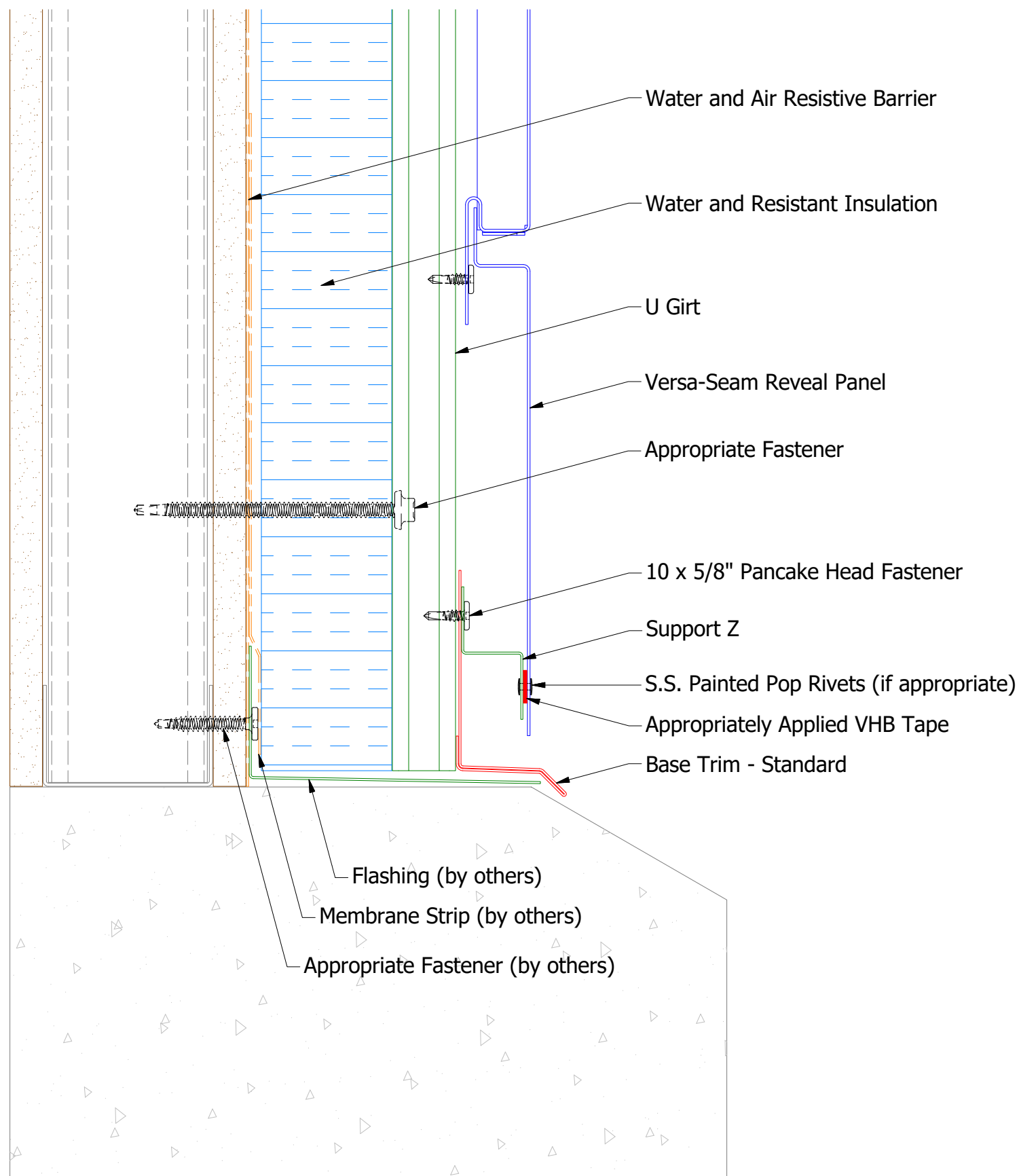
Note: Standard Panel Installation is Left to Right.
 Note: Horizontal Panel Installed on Open Framing Only.



ATAS INTERNATIONAL, INC
 Allentown PA
 610-395-8445
 Mesa AZ
 480-558-7210

TITLE
 Versa-Seam Reveal Open Horizontal Panel Installation Detail

REV. NO.	DATE	DESCRIPTION OF REVISION	BY	APP	DWG. NO.	DR KRK	DATE 11/4/2022
						APP	DATE
					MATERIAL	SH. SIZE B	SCALE X:X



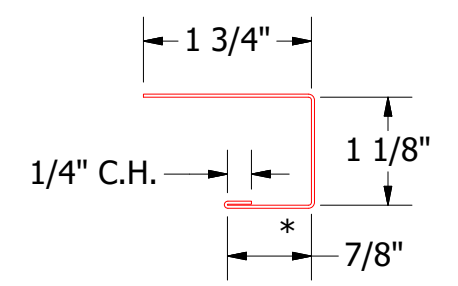
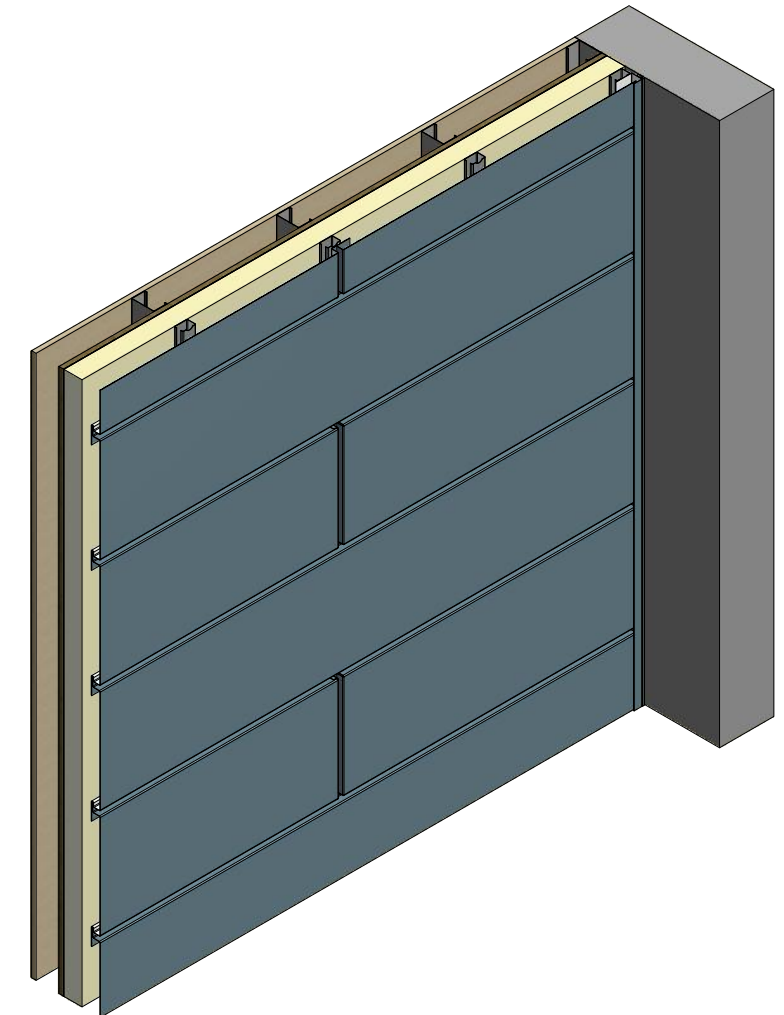
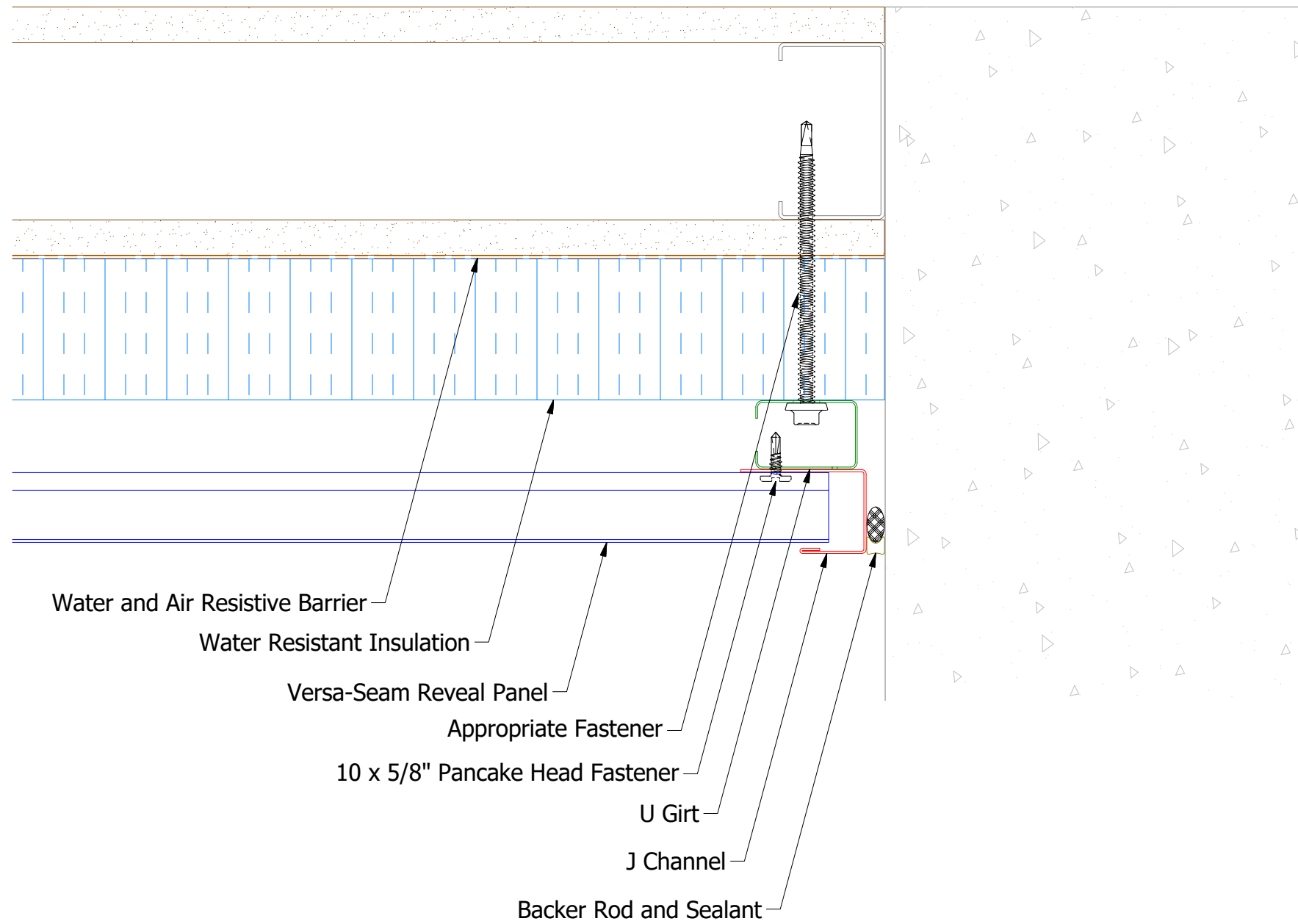
VSA661 - Base Trim - Standard

VSA681 - Support Z

ATAS INTERNATIONAL, INC
 Allentown PA
 610-395-8445
 Mesa AZ
 480-558-7210

Note: * denotes color side.

TITLE				Versa-Seam Reveal Open Horizontal Base Detail	
DWG. NO.		DR		DATE	
		KRK		10/13/2022	
MATERIAL		APP		DATE	
REV. NO.	DATE	DESCRIPTION OF REVISION	BY	APP	SCALE
					B X:X



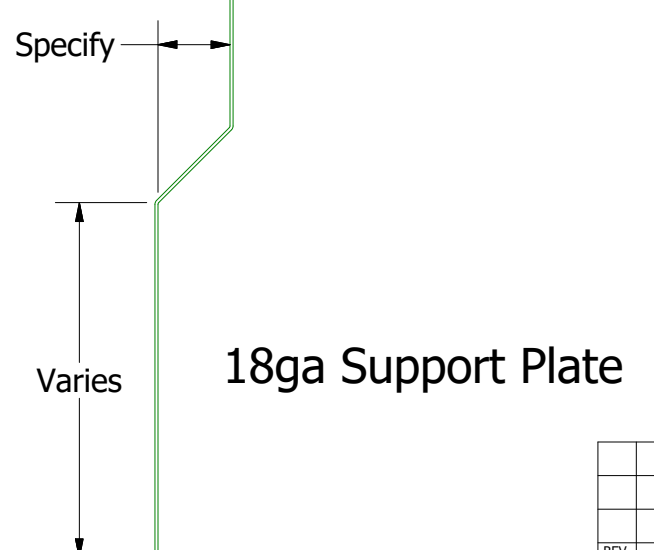
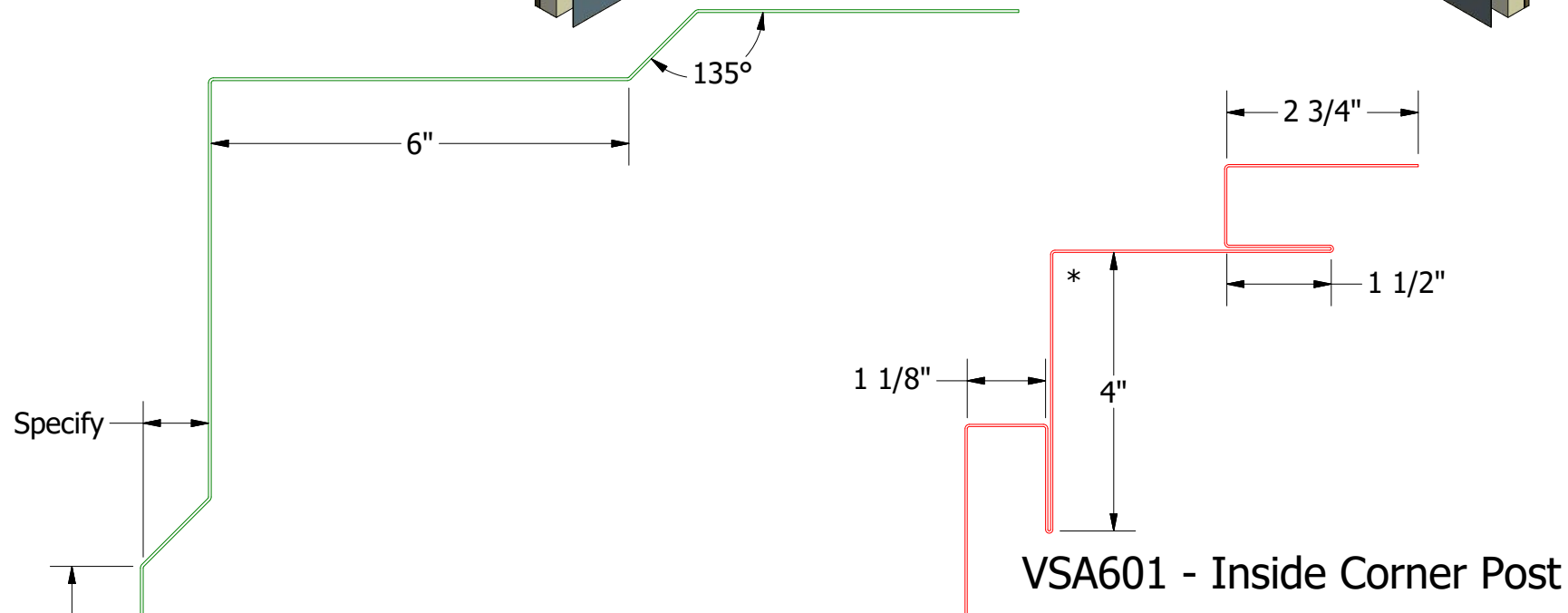
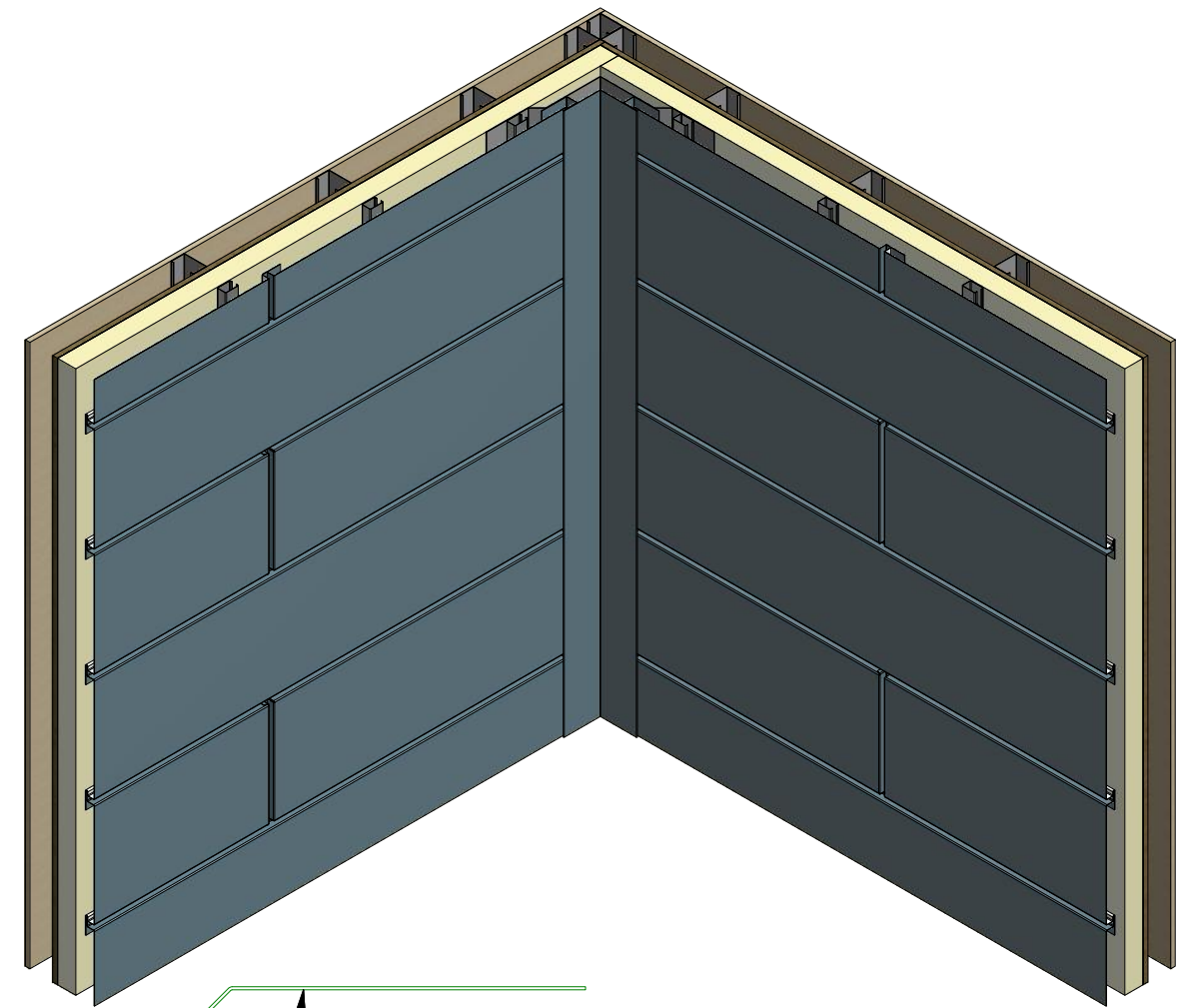
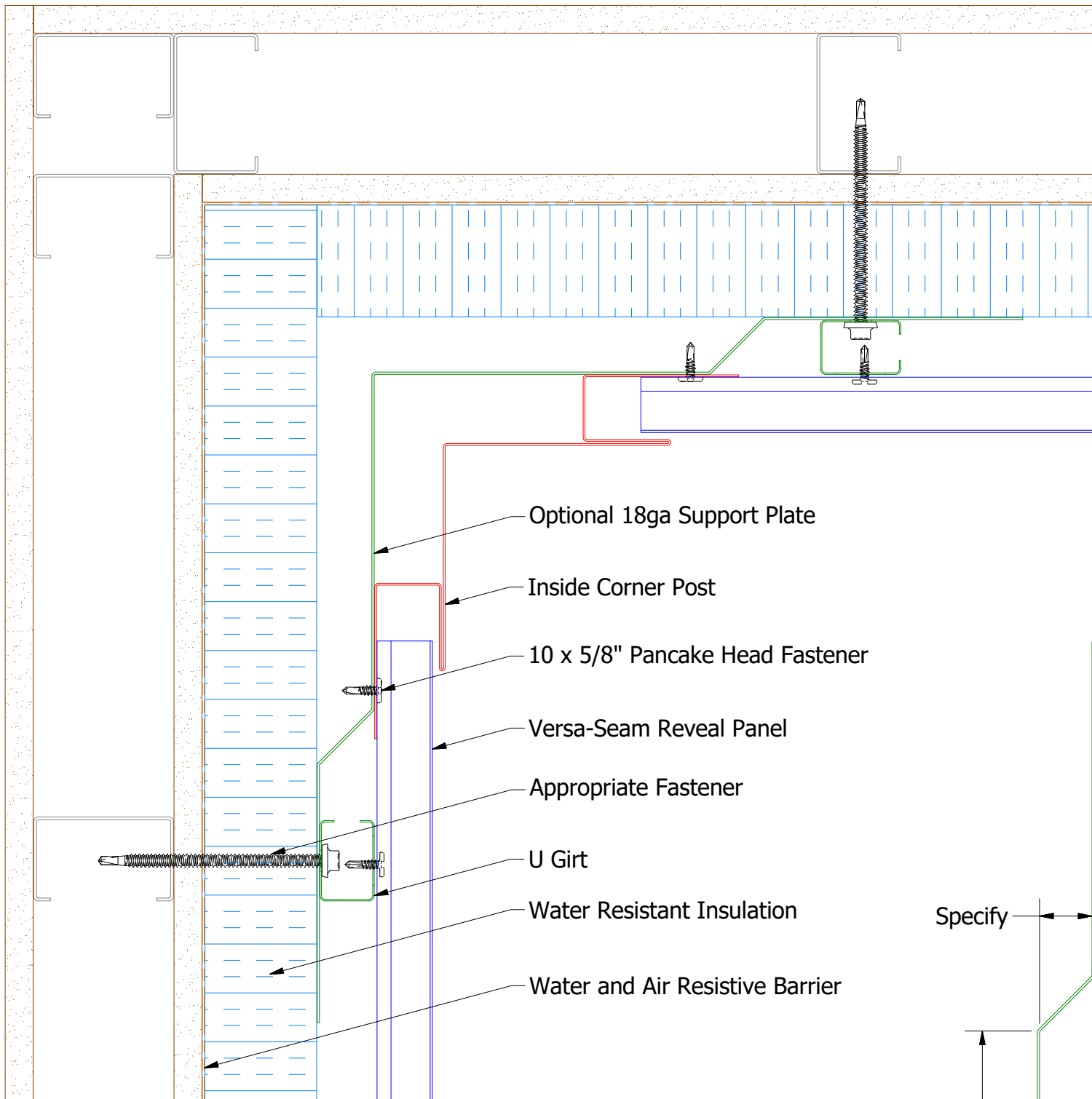
VSA118 - J Channel

ATAS ATAS INTERNATIONAL, INC
 Allentown PA
 610-395-8445
 Mesa AZ
 480-558-7210

TITLE
Versa-Seam Reveal Open Horizontal Endwall Detail

REV. NO.	DATE	DESCRIPTION OF REVISION	BY	APP	DWG. NO.	DR	DATE
						KRK	10/14/2022
					MATERIAL	APP	DATE
					SH. SIZE	B	SCALE
							X:X

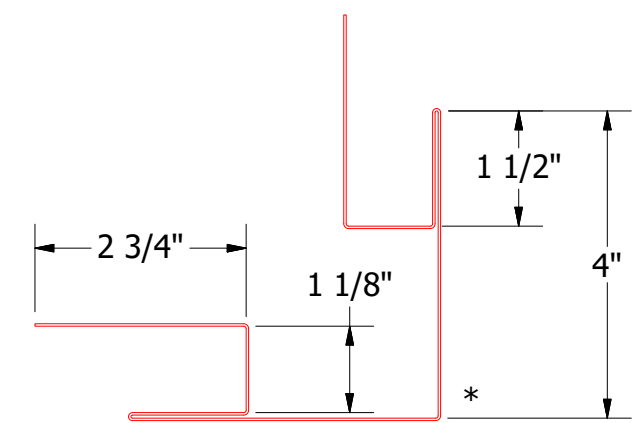
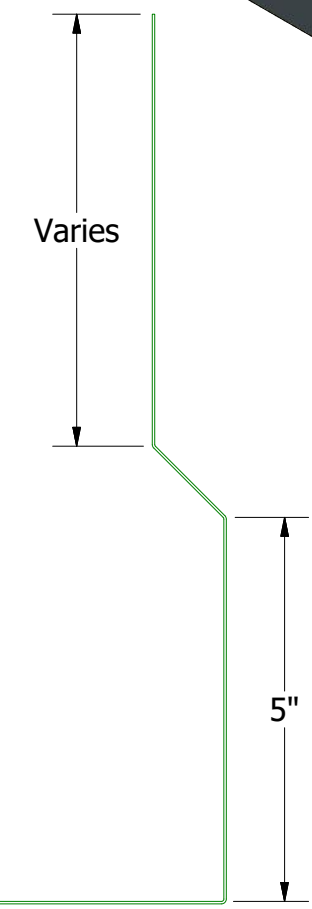
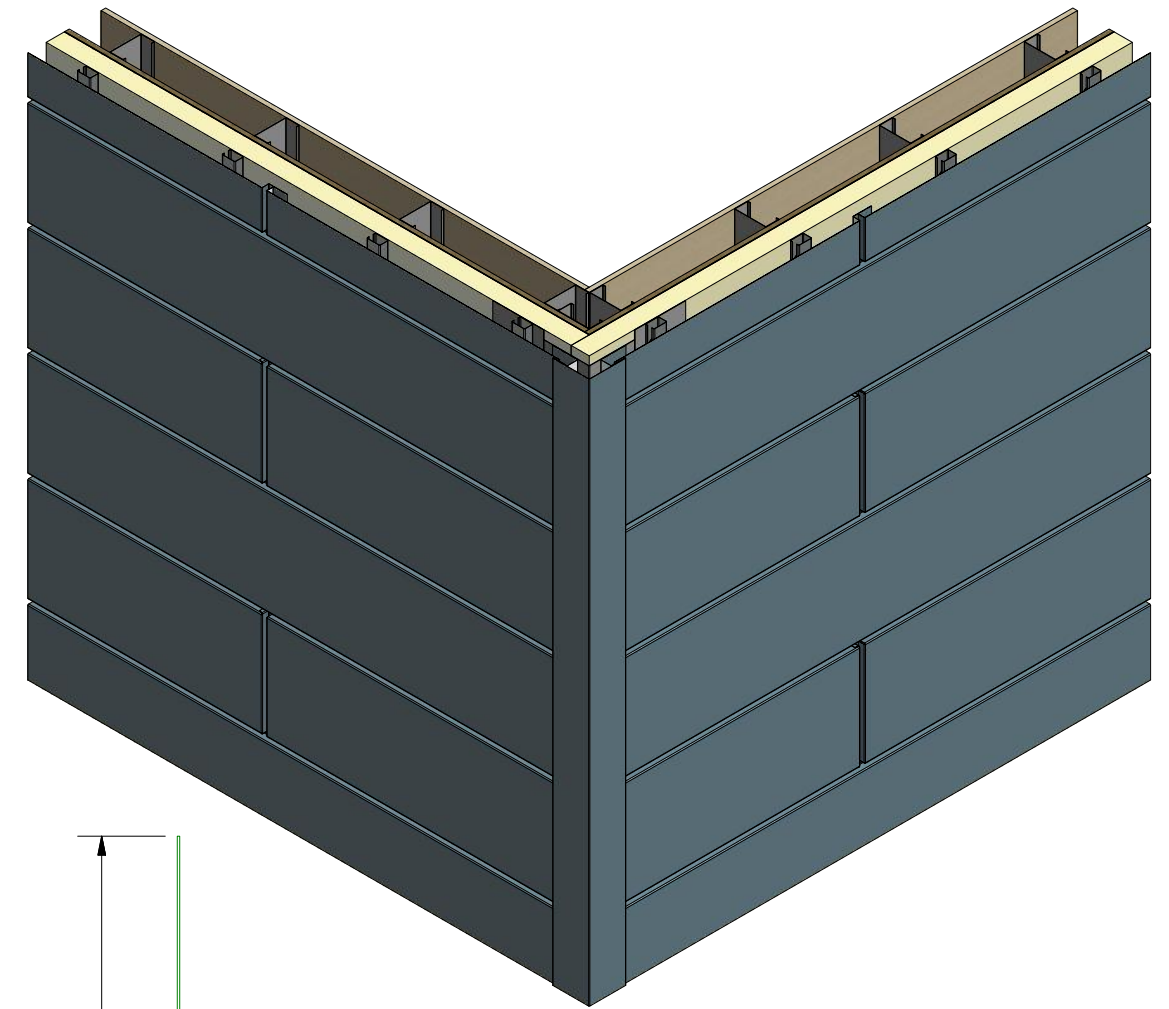
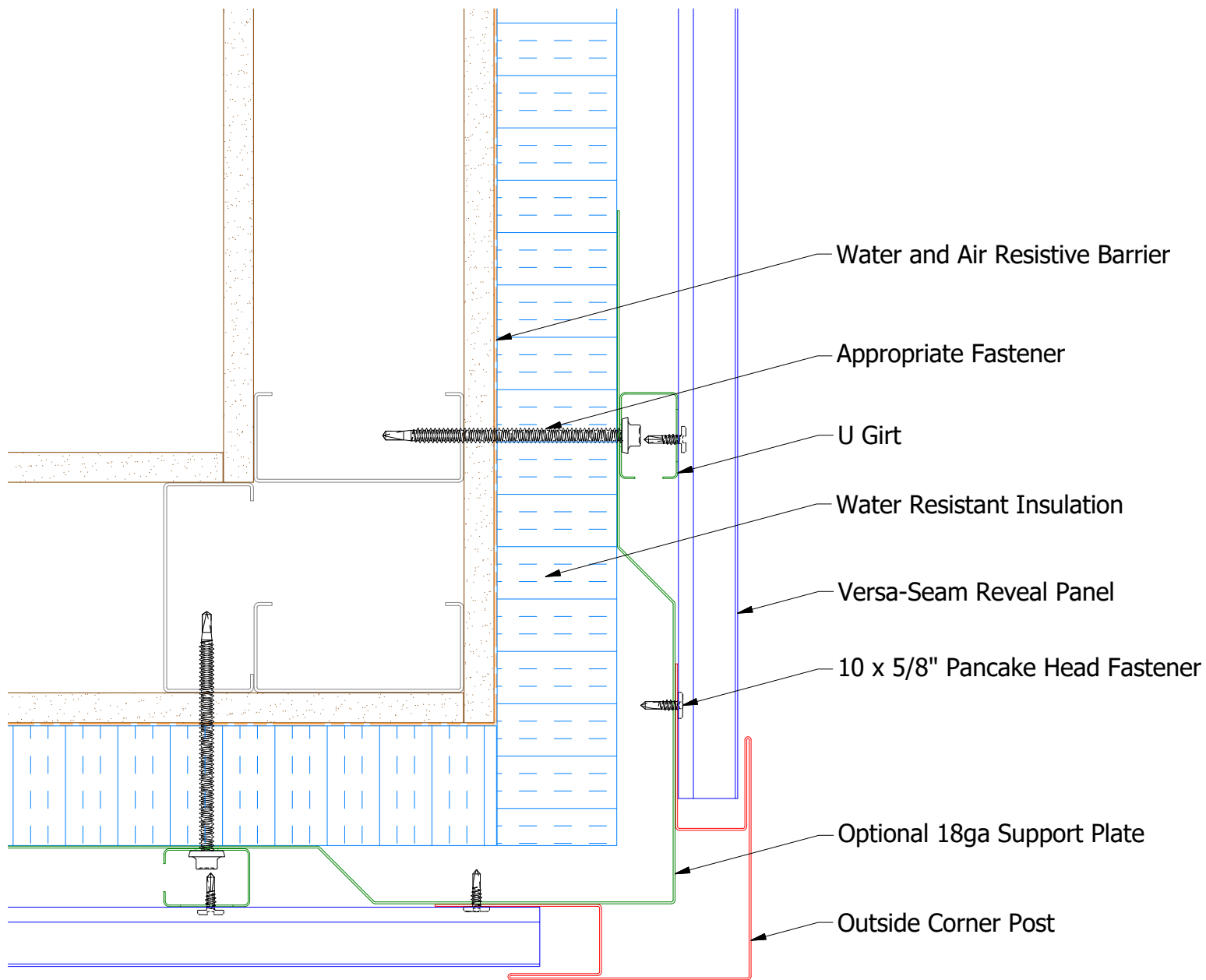
Note: * denotes color side.



Note: * denotes color side.
 Note: Optional 18ga Support Plate Available.

ATAS ATAS INTERNATIONAL, INC
 Allentown PA
 610-395-8445
 Mesa AZ
 480-558-7210


TITLE Versa-Seam Reveal Open Horizontal Inside Corner Detail			
DWG. NO.	DR	KRK	DATE 10/26/2022
MATERIAL	APP		DATE
REV. NO.	DATE	DESCRIPTION OF REVISION	BY APP
			SH. SIZE B SCALE X:X

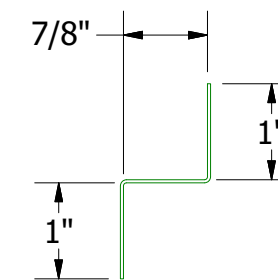
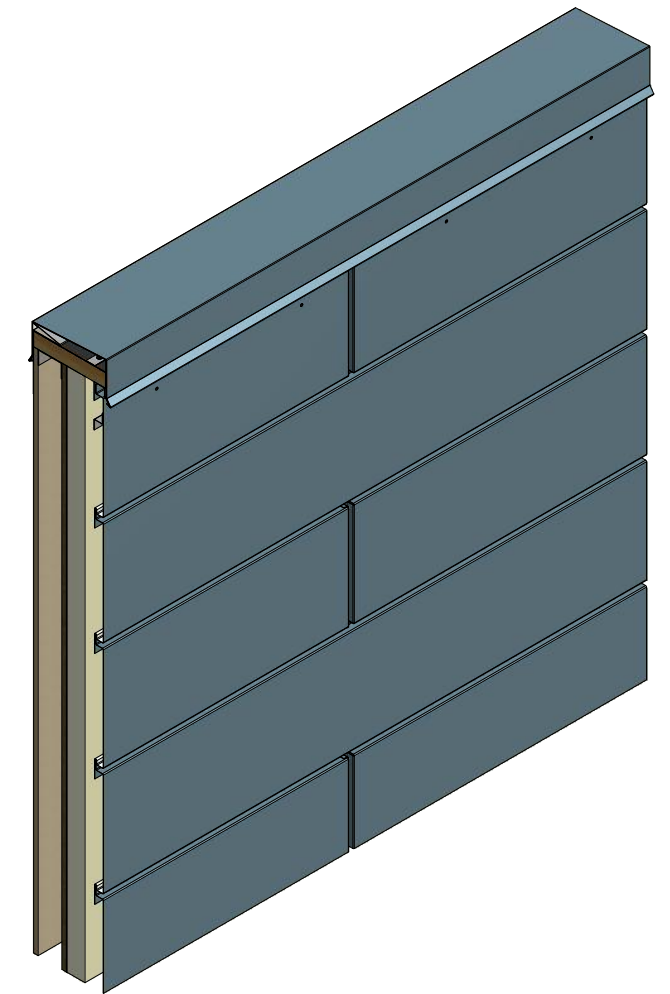
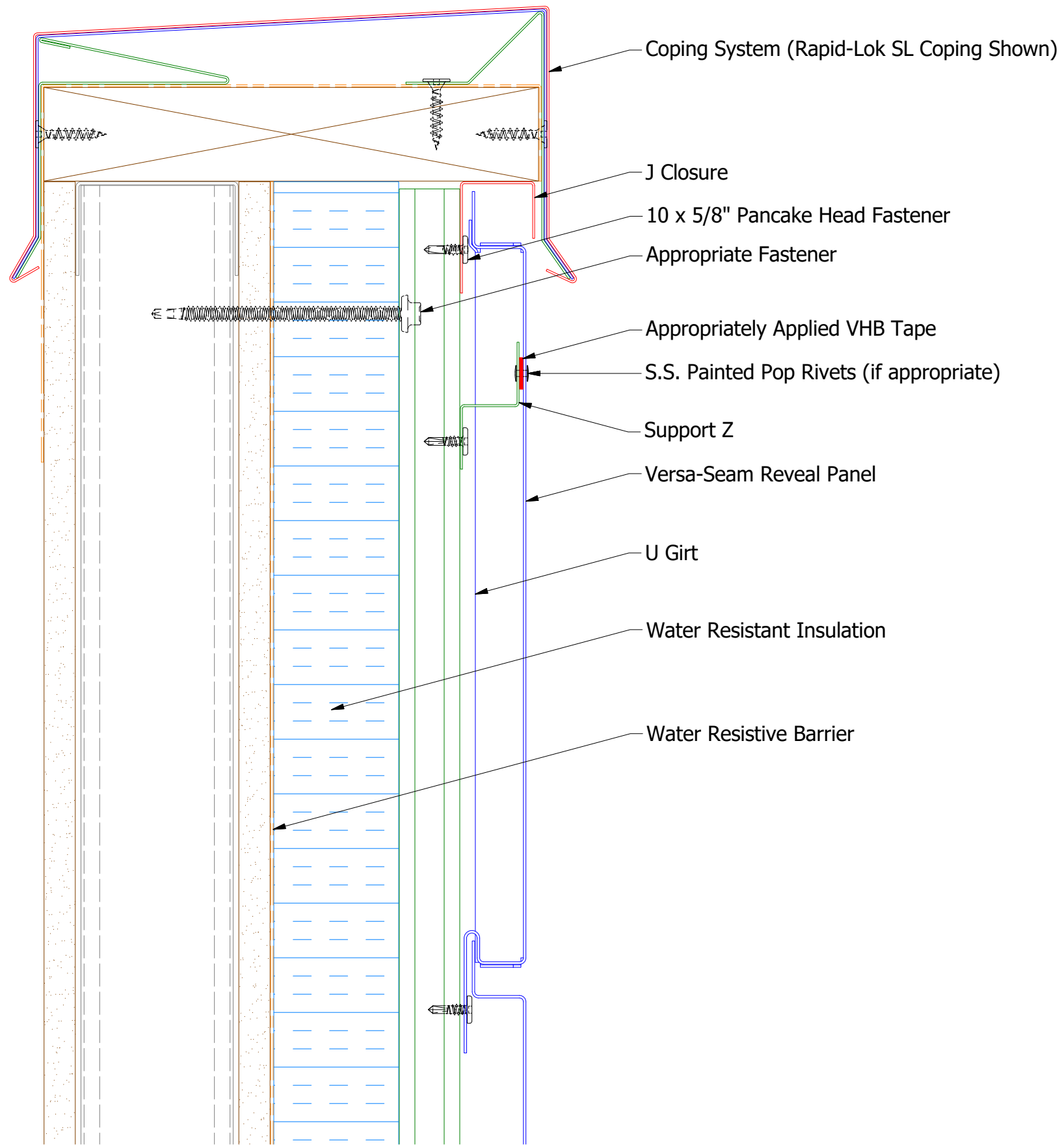


VSA602 - Outside Corner Post

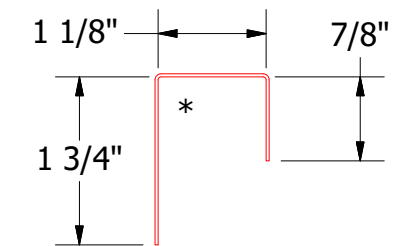
18ga Support Plate

Note: * denotes color side.
 Note: Optional 18ga Support Plate Available.

 ATAS INTERNATIONAL, INC Allentown PA 610-395-8445 Mesa AZ 480-558-7210		TITLE Versa-Seam Reveal Open Horizontal Outside Corner Detail		
		DWG. NO.	DR KRK	DATE 10/26/2022
REV. NO. DATE DESCRIPTION OF REVISION BY APP		MATERIAL	SH. SIZE B	SCALE X:X




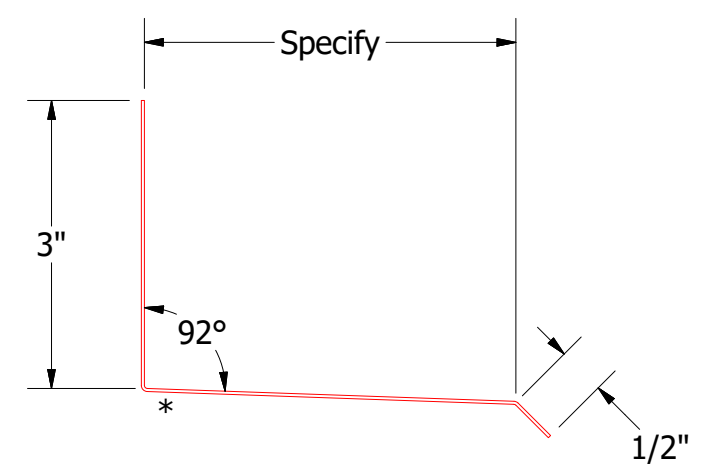
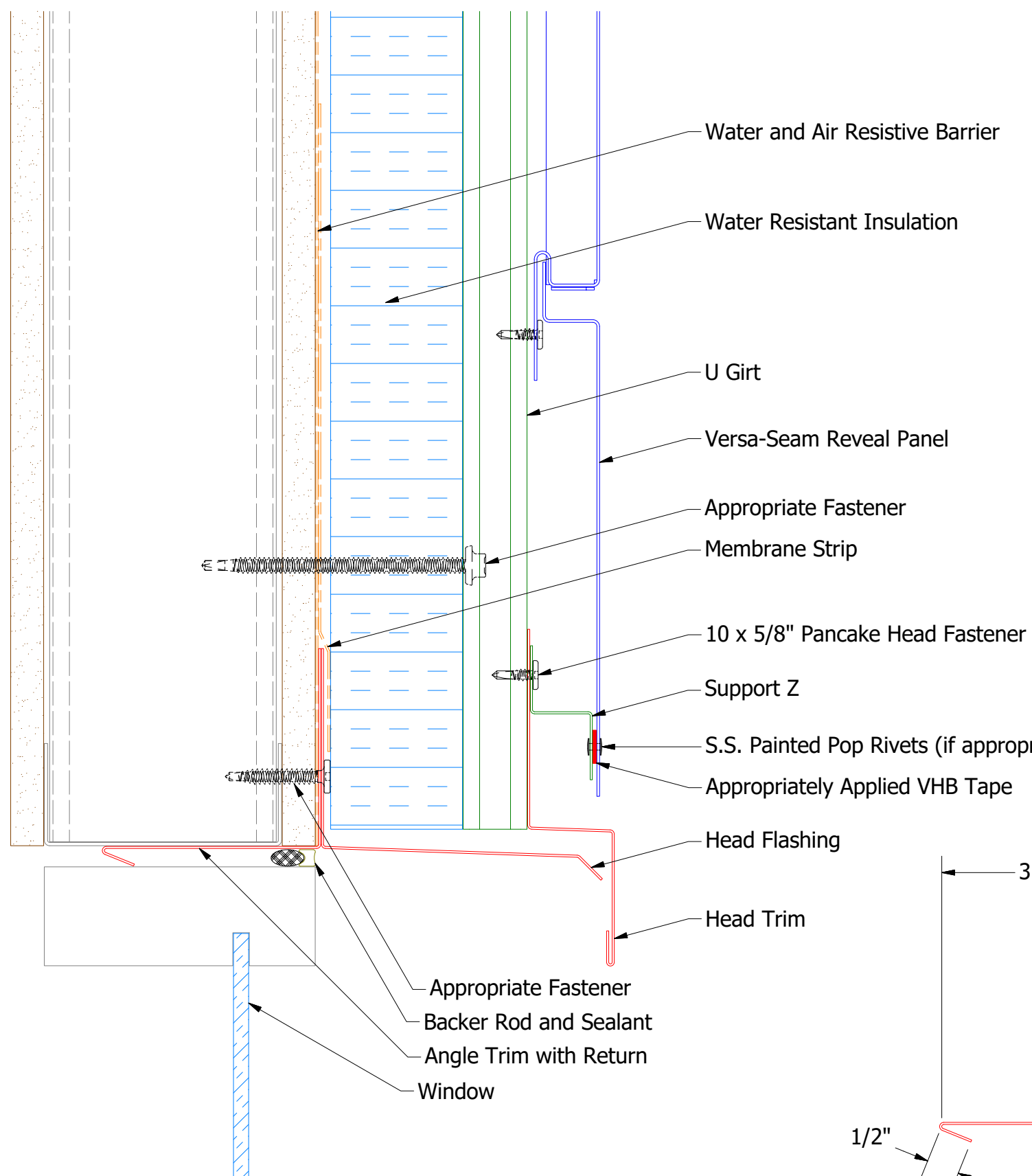
VSA681 - Support Z



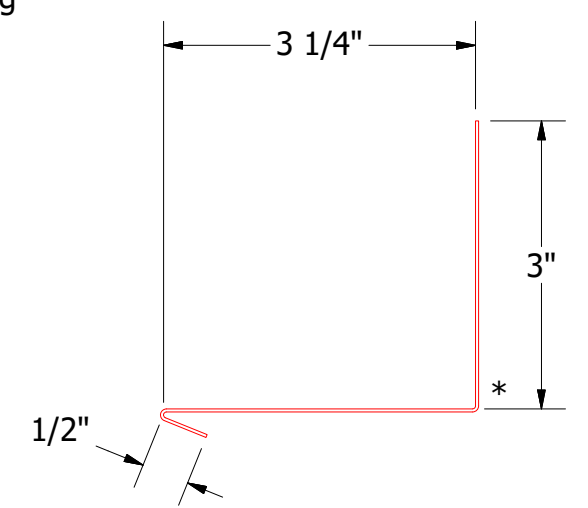
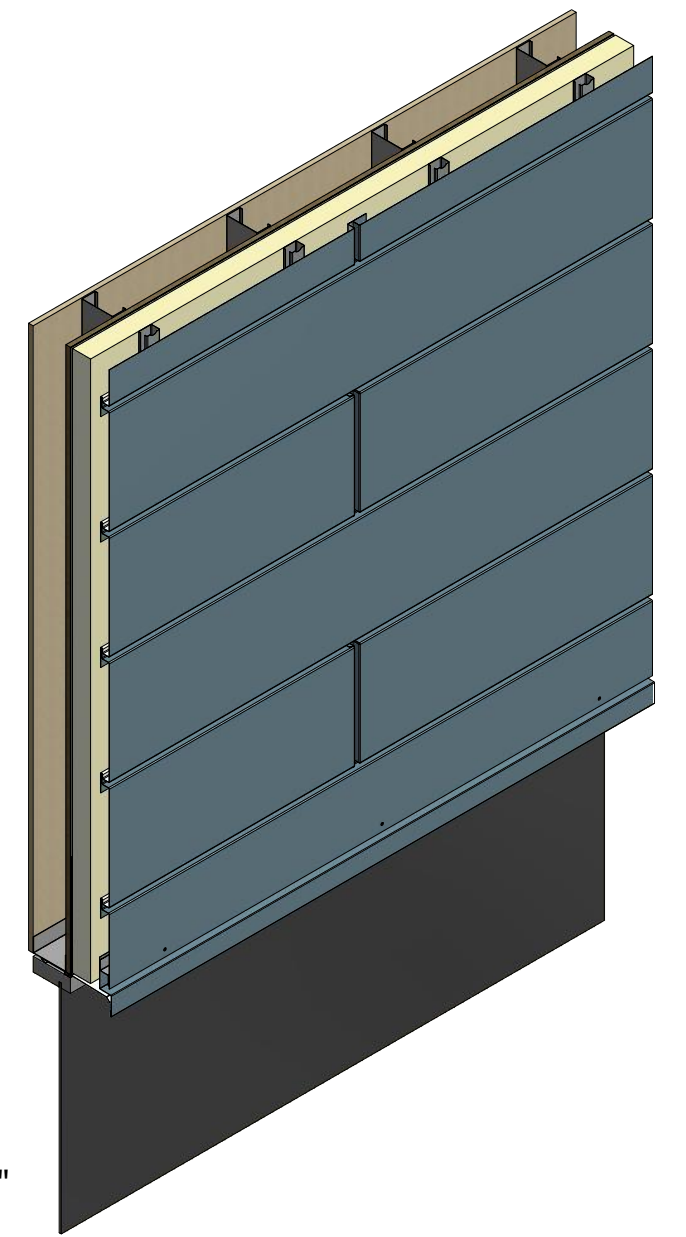
VSA270 - J Closure

Note: * denotes color side.

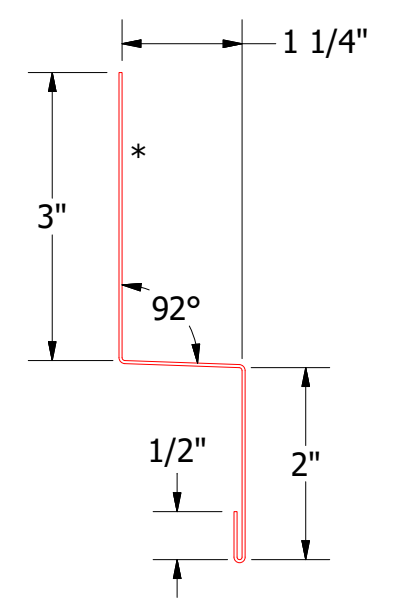
 ATAS INTERNATIONAL, INC Allentown PA 610-395-8445 Mesa AZ 480-558-7210		TITLE Versa-Seam Reveal Open Horizontal Top of Wall Detail						
		DWG. NO.	DR KRK	DATE 10/27/2022				
REV. NO.		DATE	DESCRIPTION OF REVISION	BY	APP	MATERIAL	SH. SIZE B	SCALE X:X



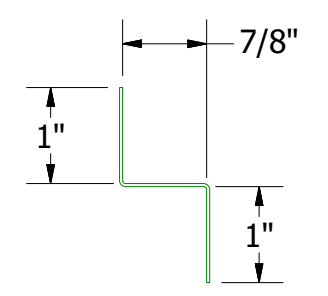
Head Flashing
 (field fabricated from color matched flat stock)



Angle Trim with Return
 (field fabricated from color matched flat stock)



VSA550 - Head Trim

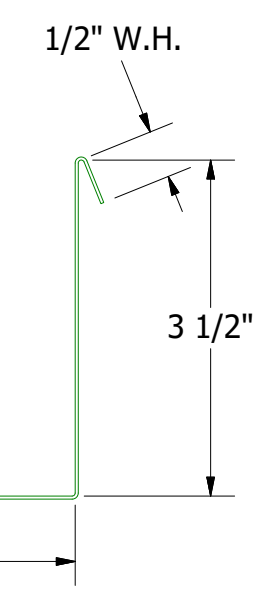
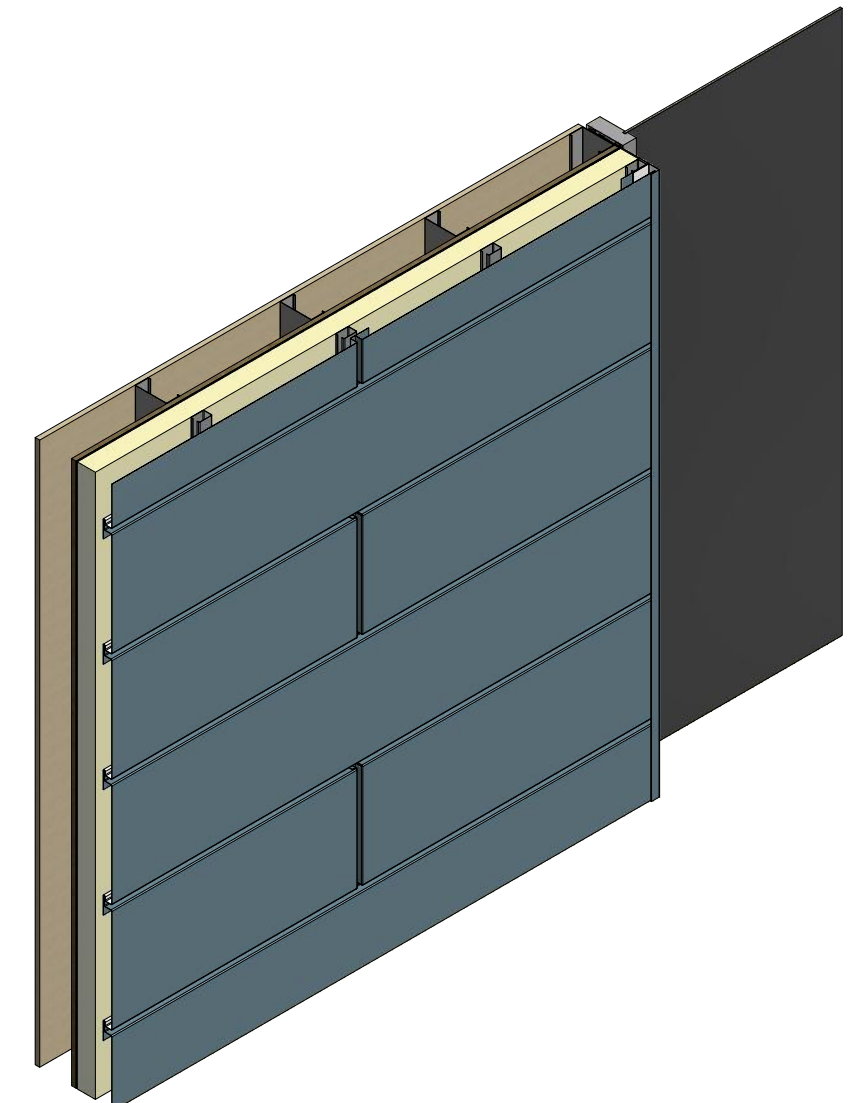
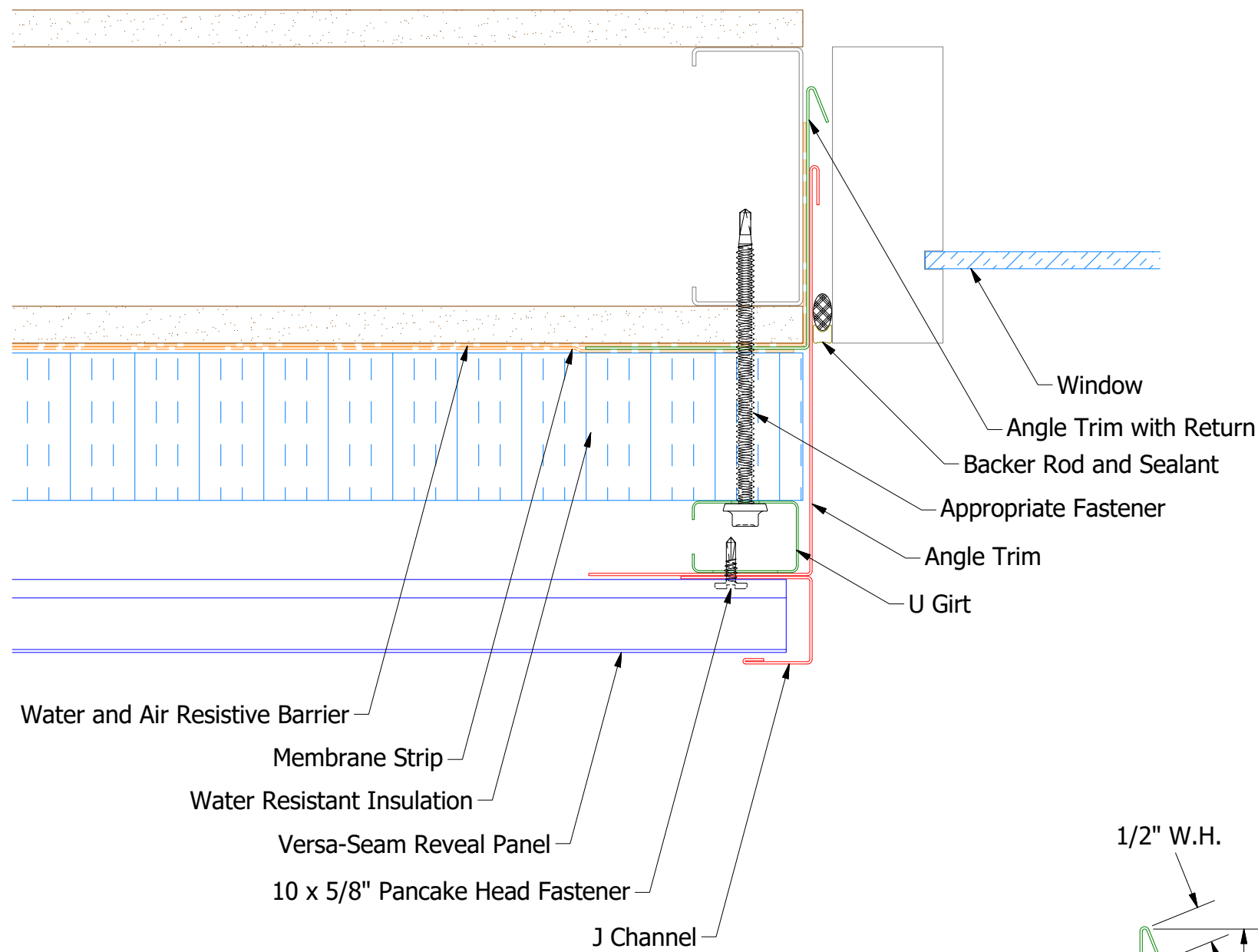


VSA681 - Support Z

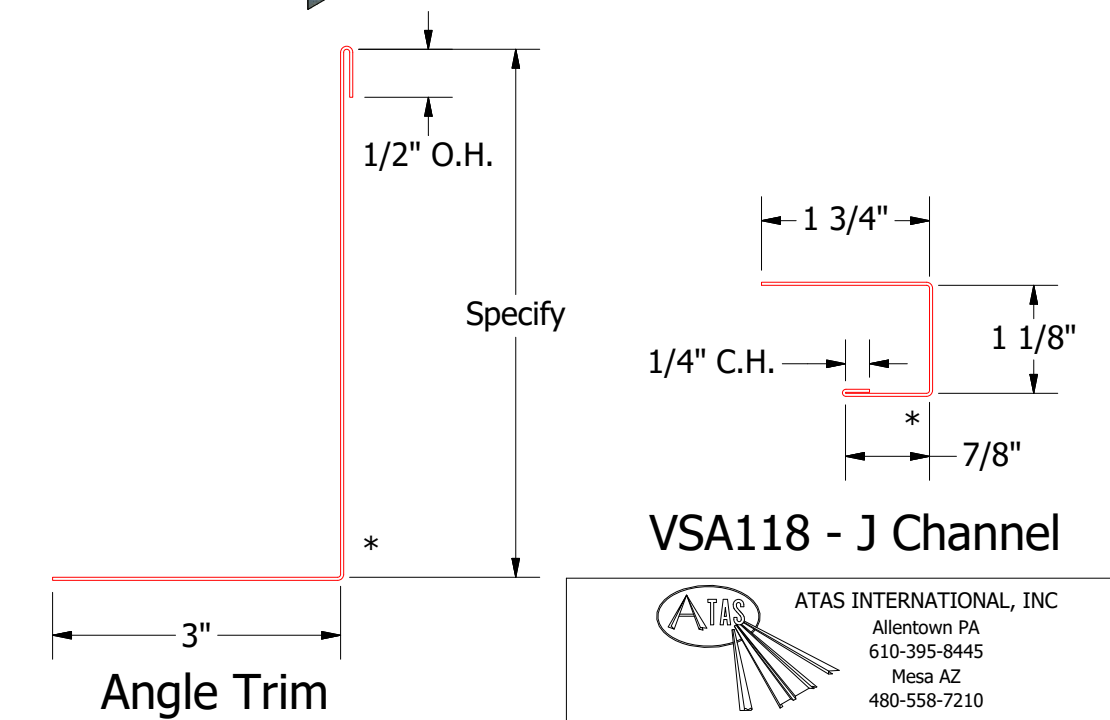
Note: * denotes color side.

ATAS ATAS INTERNATIONAL, INC
 Allentown PA
 610-395-8445
 Mesa AZ
 480-558-7210

TITLE Versa-Seam Reveal Open Horizontal Head Detail			
DWG. NO.	DR	KRK	DATE 10/27/2022
MATERIAL	APP		DATE
REV. NO.	DATE	DESCRIPTION OF REVISION	BY APP
			SH. SIZE B
			SCALE X:X



Angle Trim with Return



VSA118 - J Channel

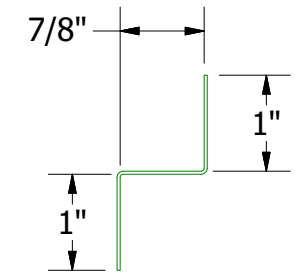
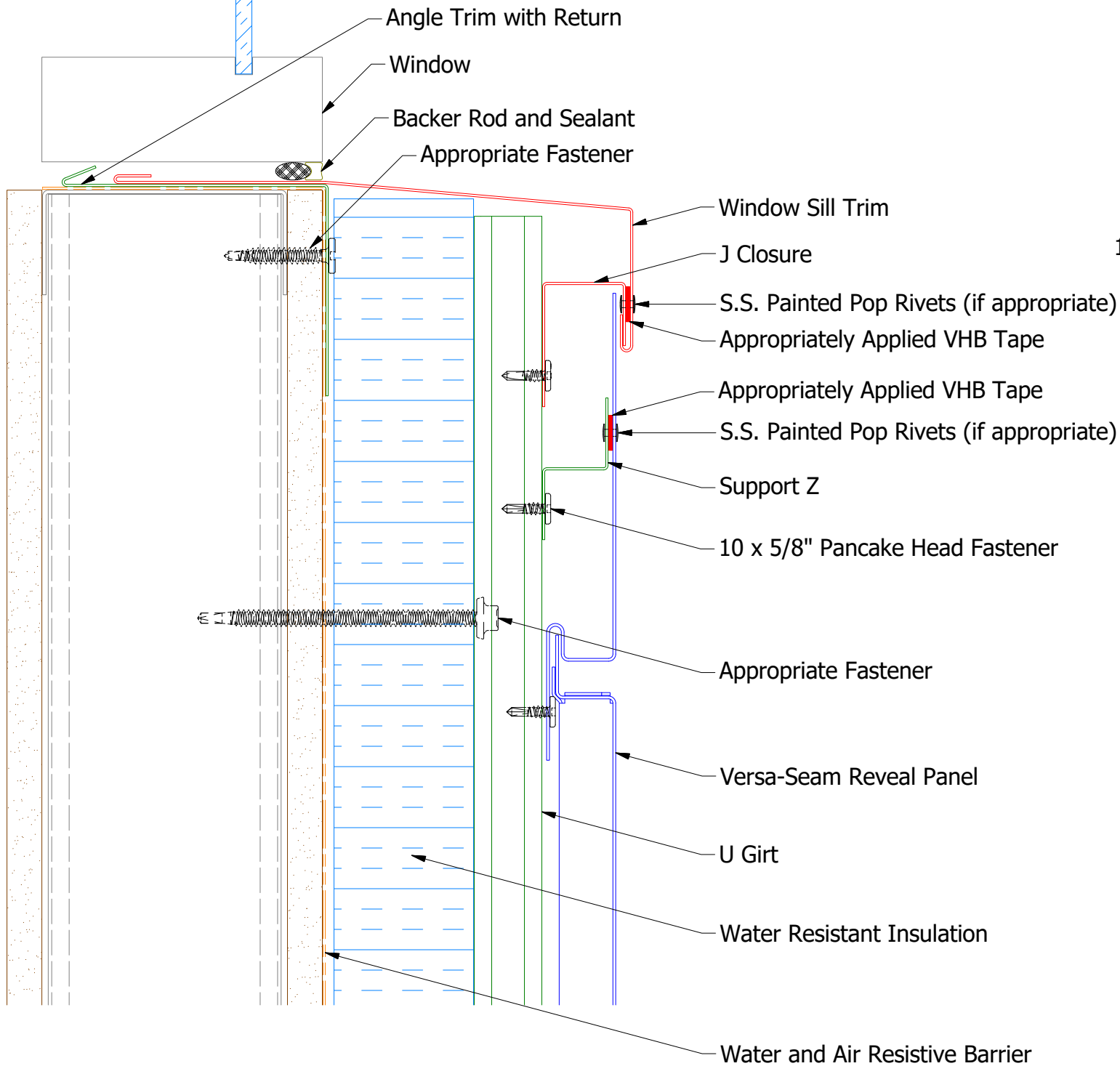
ATAS
 ATAS INTERNATIONAL, INC
 Allentown PA
 610-395-8445
 Mesa AZ
 480-558-7210

Note: * denotes color side.

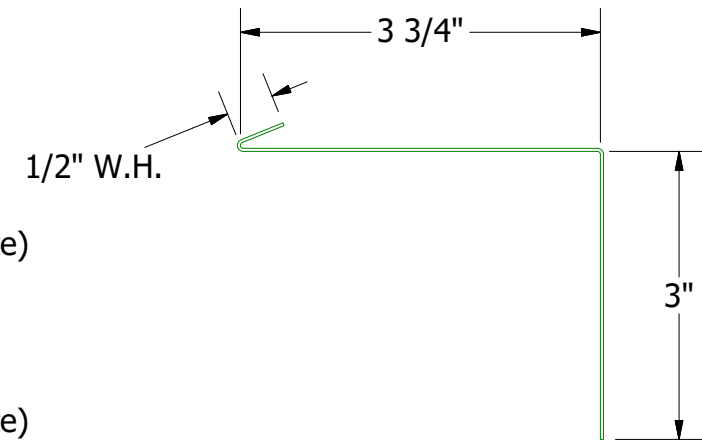
REV. NO.	DATE	DESCRIPTION OF REVISION	BY	APP

DWG. NO.		DR	KRK	DATE	10/27/2022
MATERIAL		APP		DATE	
SH. SIZE	B	SCALE	X:X		

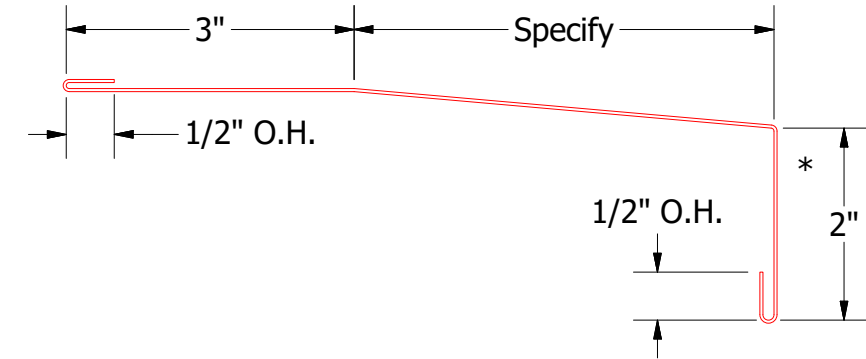
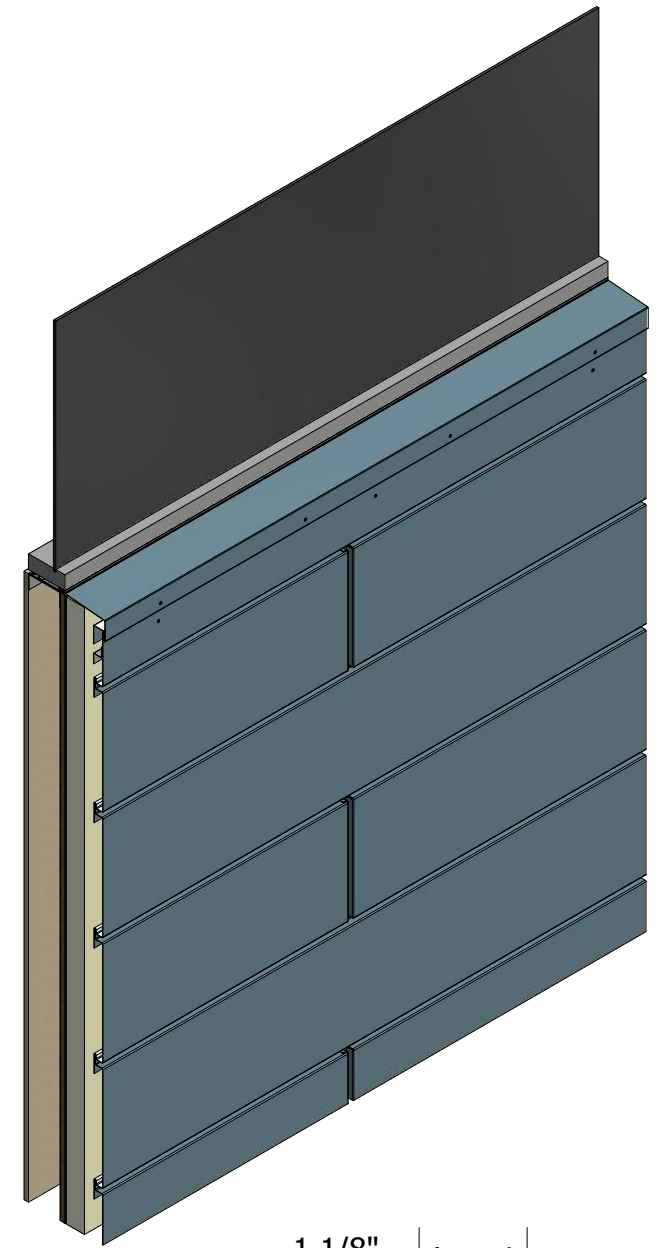
TITLE Versa-Seam Reveal Open Horizontal Jamb Detail



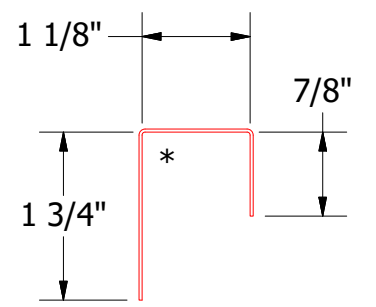
VSA681 - Support Z



Angle Trim with Return
(field fabricated from flat stock)



Window Sill Trim



VSA270 - J Closure


ATAS INTERNATIONAL, INC
 Allentown PA
 610-395-8445
 Mesa AZ
 480-558-7210

TITLE				Versa-Seam Reveal Open Horizontal Window Sill Detail			
REV. NO.		DATE		DESCRIPTION OF REVISION		BY APP	
DWG. NO.		DR		KRK		DATE	
MATERIAL		SH. SIZE		SCALE		X:X	