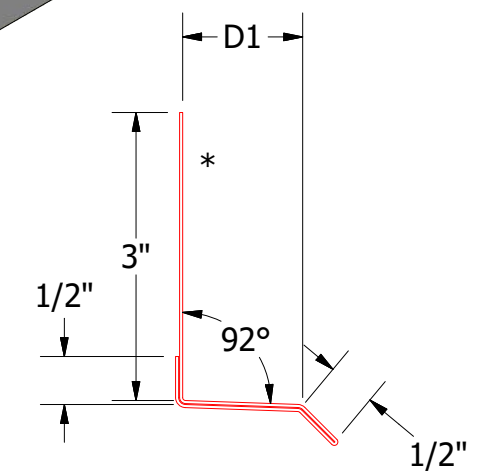


Support Z
 DWA681: D2 = 1"
 DSA681: D2 = 1 5/8"



Base Trim - Standard
 DWA661: D1 = 1 1/4"
 DSA661: D1 = 2"

Note: * denotes color side.

ATAS ATAS INTERNATIONAL, INC
 Allentown PA
 610-395-8445
 Mesa AZ
 480-558-7210

| | | | | | | | |
|----------|--|----------|--|--|--|--------|--|
| TITLE | | | | Design Wall Reveal Open Horizontal Base Detail | | | |
| REV. NO. | | DATE | | DESCRIPTION OF REVISION | | BY APP | |
| DWG. NO. | | DR | | KRK | | DATE | |
| MATERIAL | | SH. SIZE | | B | | SCALE | |
| | | | | | | X:X | |