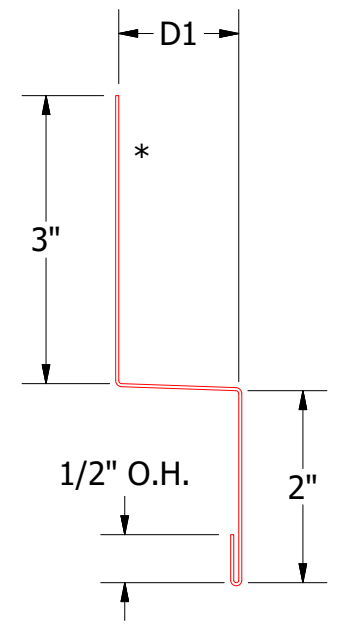
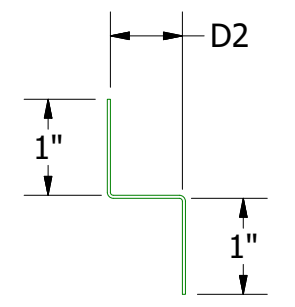


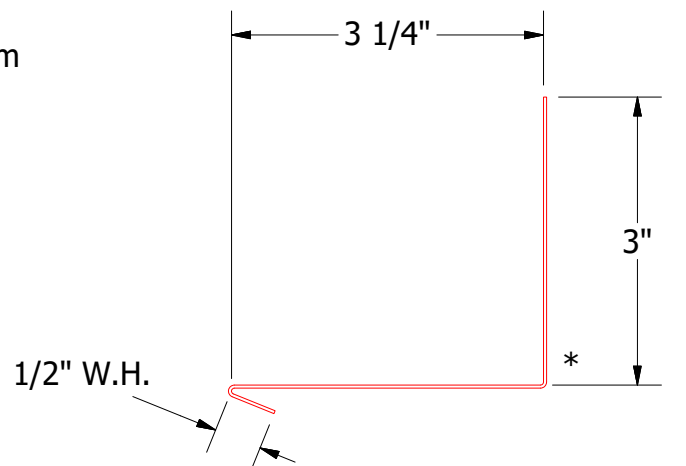
Head Flashing
(field fabricated from color matched flat stock)



Head Trim
DWA550: D1 = 1 1/4"
DSA550: D1 = 2"



Support Z
DWA681: D2 = 1"
DSA681: D2 = 1 5/8"



Angle Trim with Return
(field fabricated from color matched flat stock)

Note: * denotes color side.

REV. NO.		DATE		DESCRIPTION OF REVISION		BY	APP	
TITLE							DR	DATE
Design Wall Reveal Open Head Horizontal Detail							KRK	8/10/2022
DWG. NO.							APP	DATE
MATERIAL							SH. SIZE	SCALE
							B	X:X

ATAS ATAS INTERNATIONAL, INC
 Allentown PA
 610-395-8445
 Mesa AZ
 480-558-7210