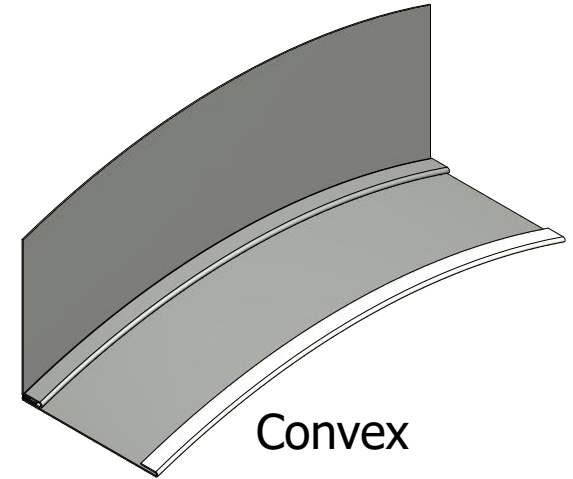
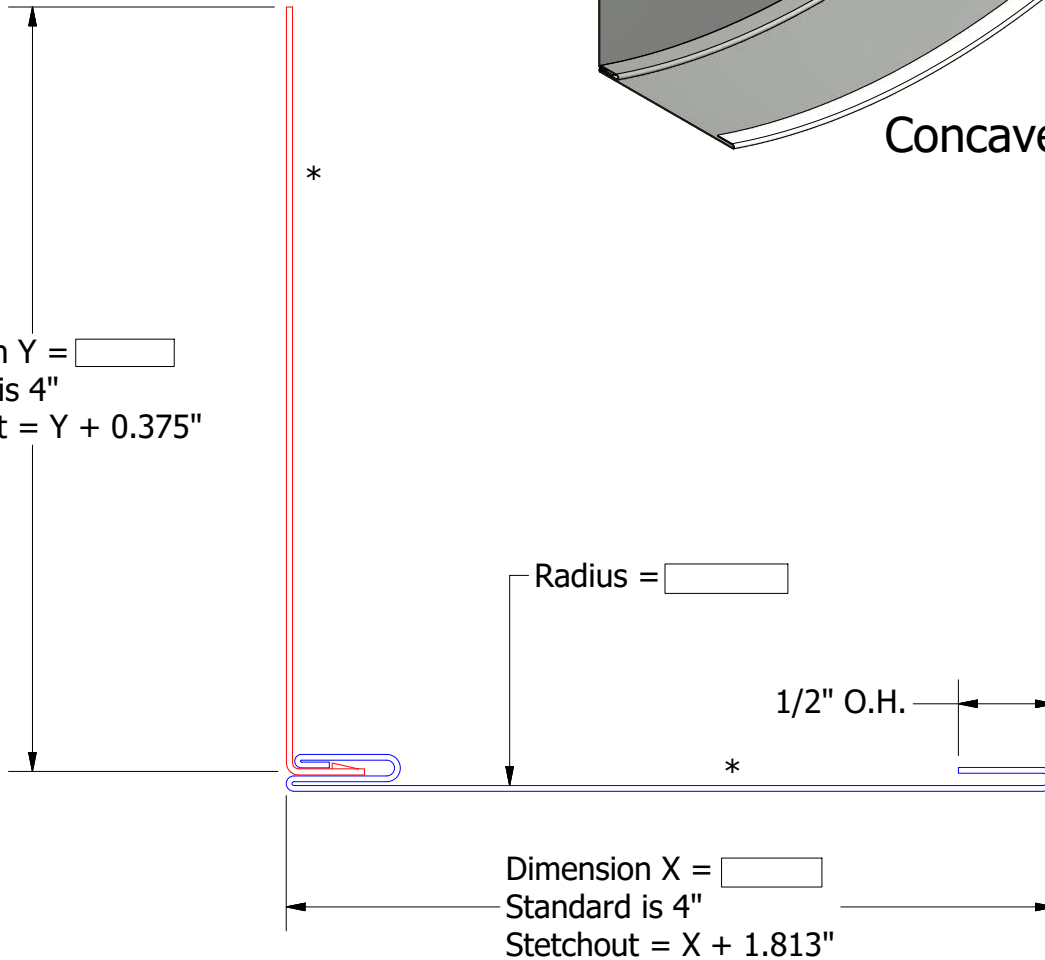


Concave




Convex

Dimension Y =
 Standard is 4"
 Stretchout = Y + 0.375"



Order #

Concave: 

Convex: 

Material
 Alum 24 ga 55% Al-Zn alloy coated steel with acrylic coating

Finish:


Color:

Trim Length:

Number of Pieces:

Note: * denotes color side.
 Note: Trims shown as Standard, Job Specific Dimensions may alter Final Product Design.

REV. NO.	DATE	DESCRIPTION OF REVISION	BY	APP
02	6/28/2022	Added Final Product Design Disclaimer	KRK	
01	8/1/2019	Added Galv + to Material Offering	KRK	

 ATAS INTERNATIONAL, INC
 Allentown PA
 610-395-8445
 Mesa AZ
 480-558-7210

TITLE Vaulted Trim Order Sheet - Sidewall Trim		DR	PJR	DATE
DWG. NO.		APP		DATE
MATERIAL		SH. SIZE	A	SCALE
				X:X