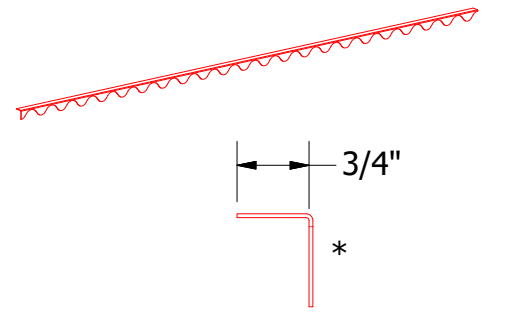


Counterflashing



Metal Closure Angle

Note: \* denotes color side.

**ATAS** ATAS INTERNATIONAL, INC  
Allentown PA  
610-395-8445  
Mesa AZ  
480-558-7210

TITLE				BWC Vented Headwall Detail	
DWG. NO.		DR		DATE	
		KRK		1/19/2022	
MATERIAL		APP		DATE	
		SH. SIZE		SCALE	
		B		X:X	
REV. NO.	DATE	DESCRIPTION OF REVISION	BY	APP	