



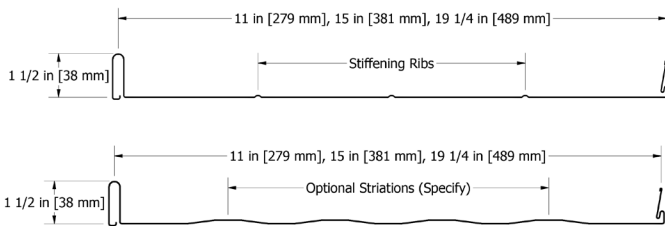
Stiffening Ribs



Without Ribs



Striations



DUTCH SEAM®

SKU: MRD110, MRD150, MRD194

MATERIAL

.032, .040 aluminum
 24, 22* ga. metallic coated steel
 24 ga. 55% Al-Zn alloy coated steel with acrylic coating
 16, 20 oz. copper*
 .8 mm zinc* (MRD110 only)

PANEL SPECS

Coverage: 11", 15", 19 1/4"
 (stiffening ribs standard, specify without ribs or with striations)
 Minimum Length: 2'-0"
 Seam Height: 1 1/2"

AVAILABLE

Tapered

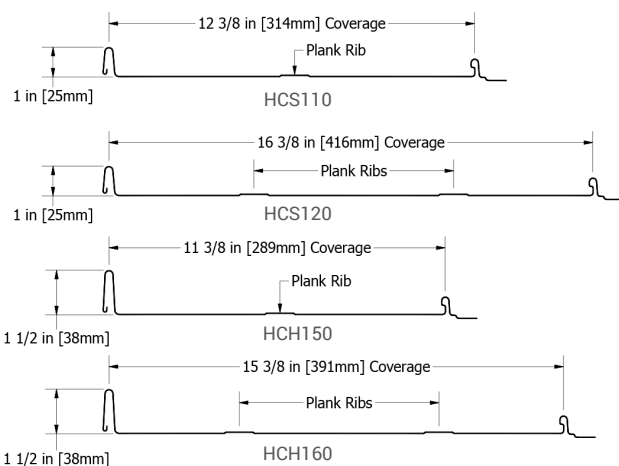
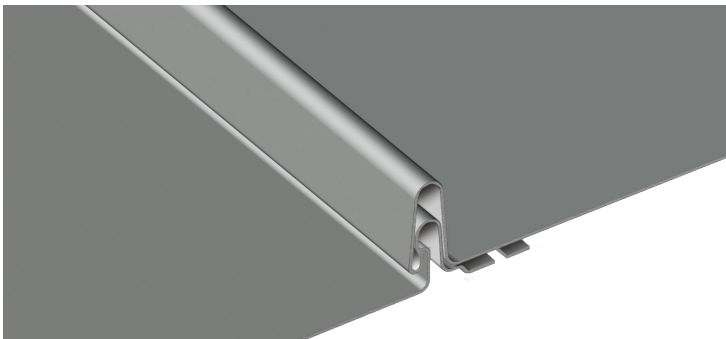
TEXTURE

Smooth or Stucco Embossed

MINIMUM SLOPE

2:12

www.atas.com/dutchseam



COLONIAL SEAM®

SKU: HCS110, HCS120, HCH150, HCH160

MATERIAL

.032 aluminum
 24 ga. metallic coated steel

PANEL SPECS

Coverage: 11 3/8", 12 3/8", 15 3/8", 16 3/8" (plank ribs or striations optional)
 Minimum Length: 2'-0"
 Maximum Length: 20'-0" for aluminum, 25'-0" for steel
 Seam Height: 1", 1 1/2"

AVAILABLE

Factory panel pre-notching available.
 Contact ATAS for specifics.

TEXTURE

Smooth or Stucco Embossed

MINIMUM SLOPE

3:12

www.atas.com/colonialseam