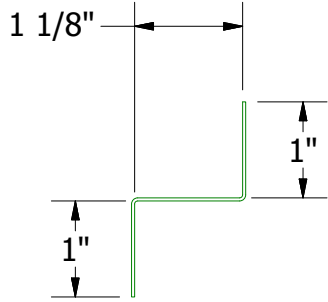
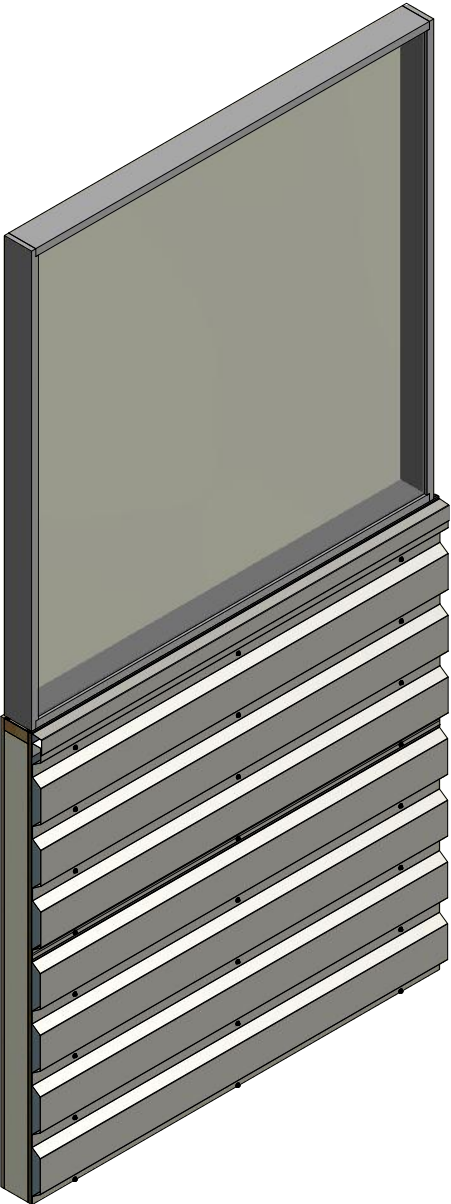
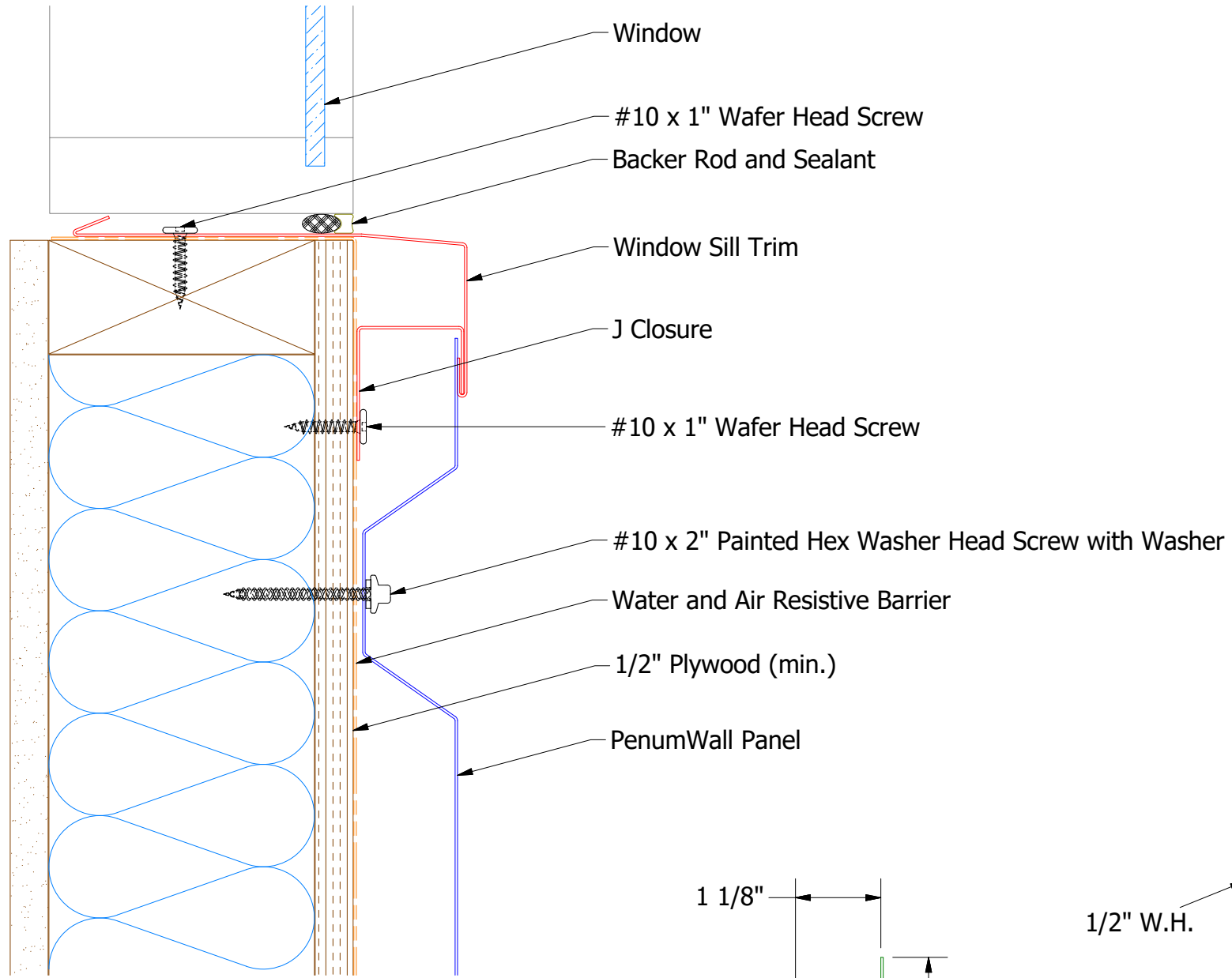
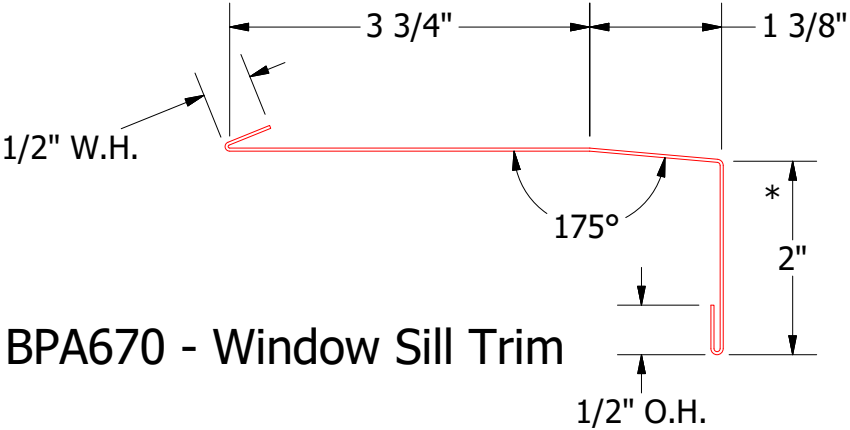


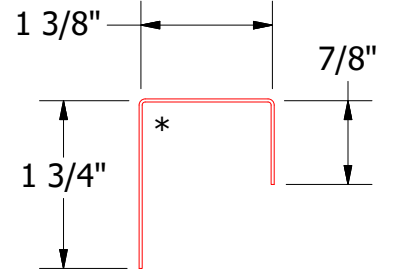
Horizontal Panel



BPA681 - Support Z
(if conditions apply)



BPA670 - Window Sill Trim



BPA270 - J Closure

Note: * denotes color side.

		ATAS INTERNATIONAL, INC Allentown PA 610-395-8445 Mesa AZ 480-558-7210	
TITLE PenumWall Window Sill Detail			
DWG. NO.		DR KRK	DATE 12/17/2015
REV. NO.		APP DAS	DATE 7/16/20
DATE		SH. SIZE B	SCALE X:X
DESCRIPTION OF REVISION		BY KRK	APP
01	3/23/2021	Added Support Z and color side note.	