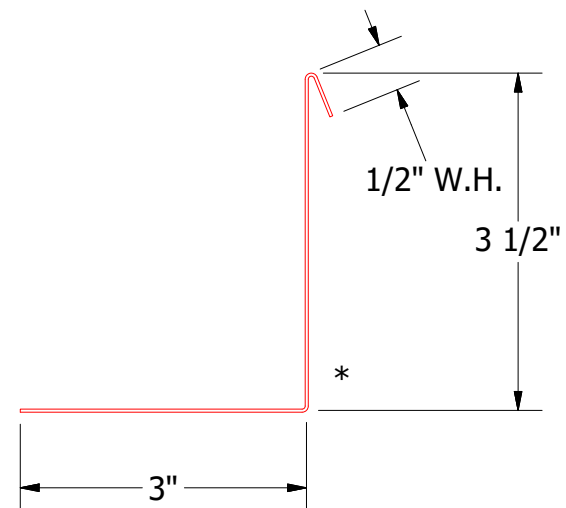
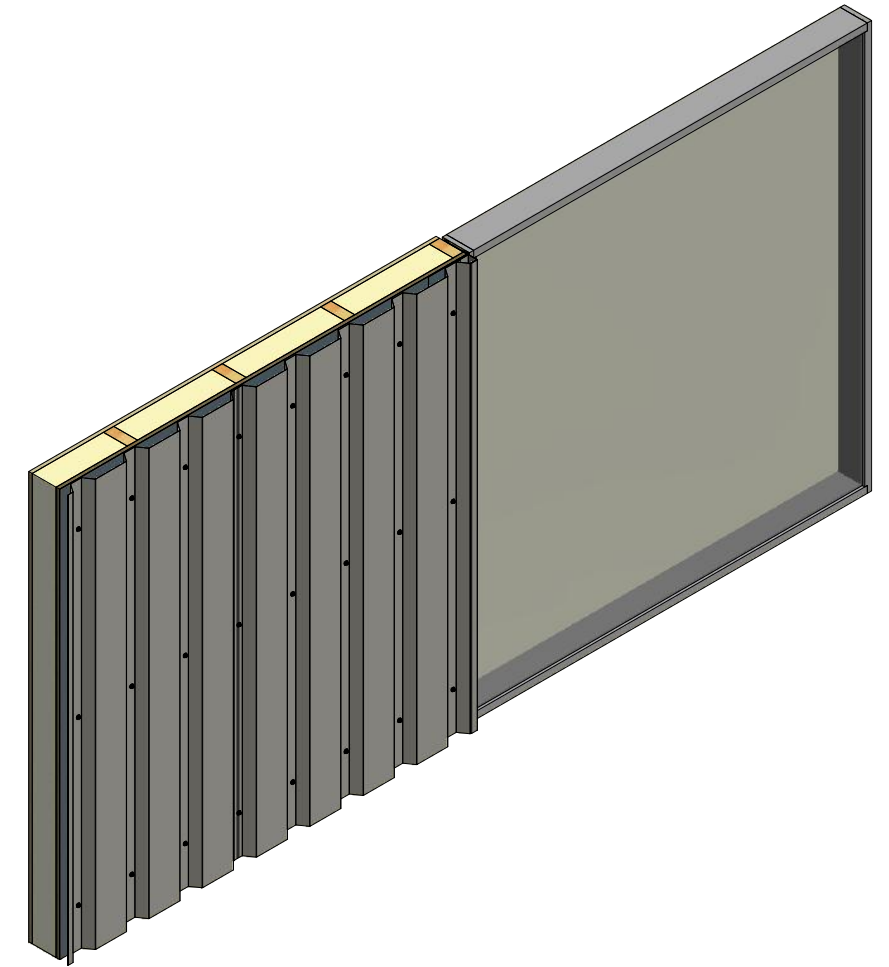
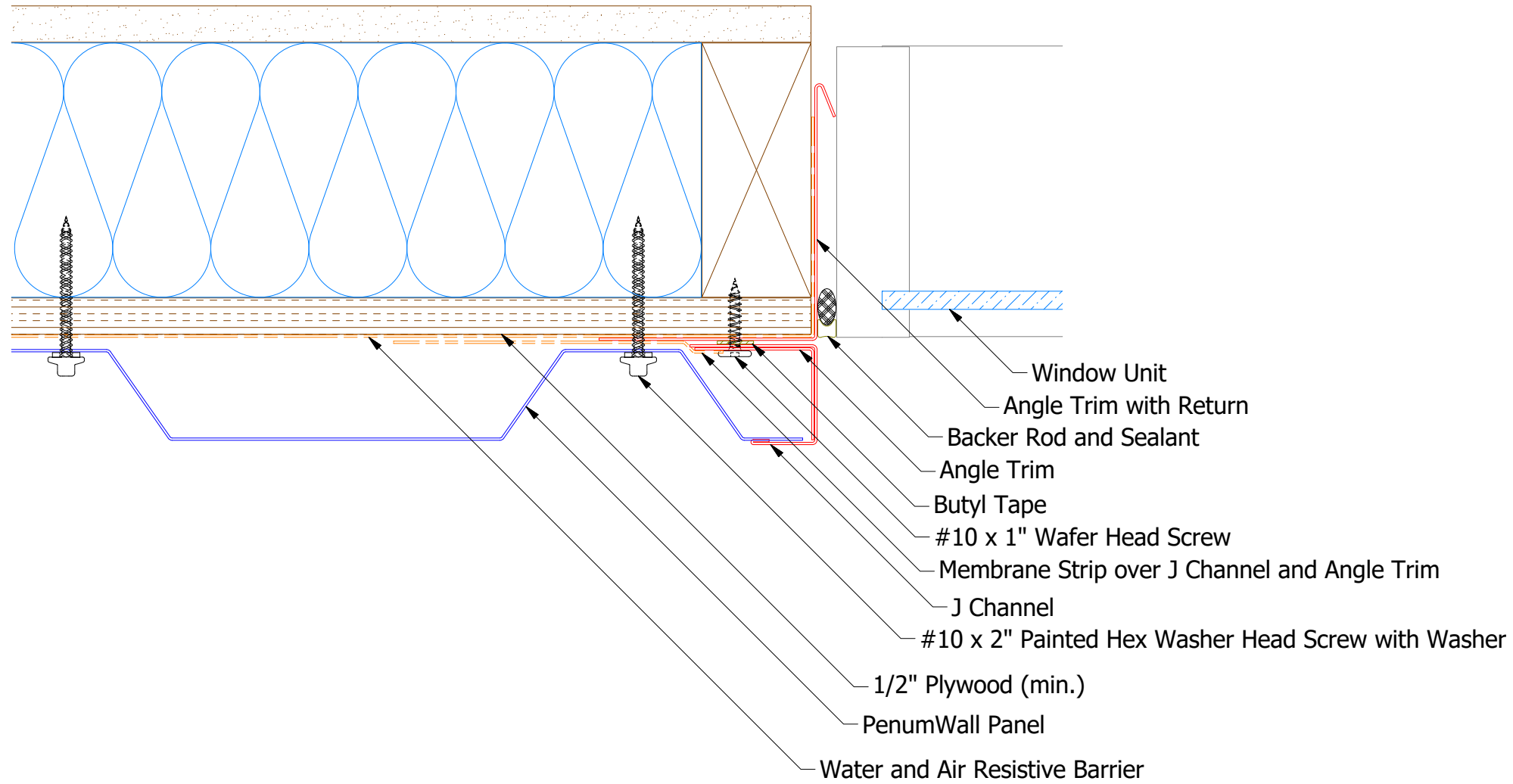
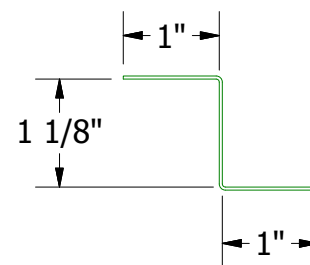


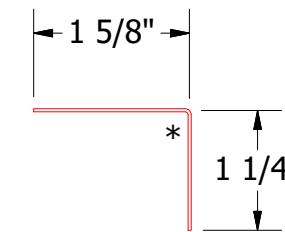
# Vertical Panel



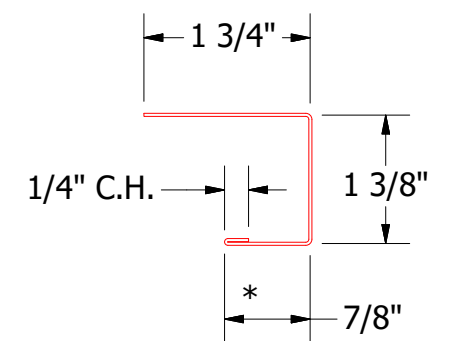
**BPA683 - Angle Trim with Return**



**BPA681 - Support Z**  
(if conditions apply)



**BPA680 - Angle Trim**



**BPA138 - J Channel**

Note: \* denotes color side.


**ATAS INTERNATIONAL, INC**  
 Allentown PA  
 610-395-8445  
 Mesa AZ  
 480-558-7210

| TITLE    |    |      |           | PenumWall Jamb Detail   |                                      |          |     |
|----------|----|------|-----------|-------------------------|--------------------------------------|----------|-----|
| DWG. NO. |    | DR   | KRK       | DATE                    | 12/22/2015                           | APP      | DAS |
| REV. NO. | 01 | DATE | 3/18/2021 | DESCRIPTION OF REVISION | Added Support Z and color side note. | BY       | KRK |
|          |    |      |           |                         |                                      | SH. SIZE | B   |
|          |    |      |           |                         |                                      | SCALE    | X:X |