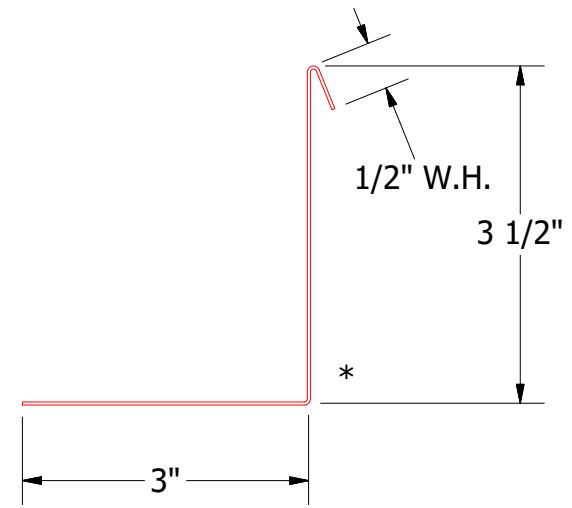
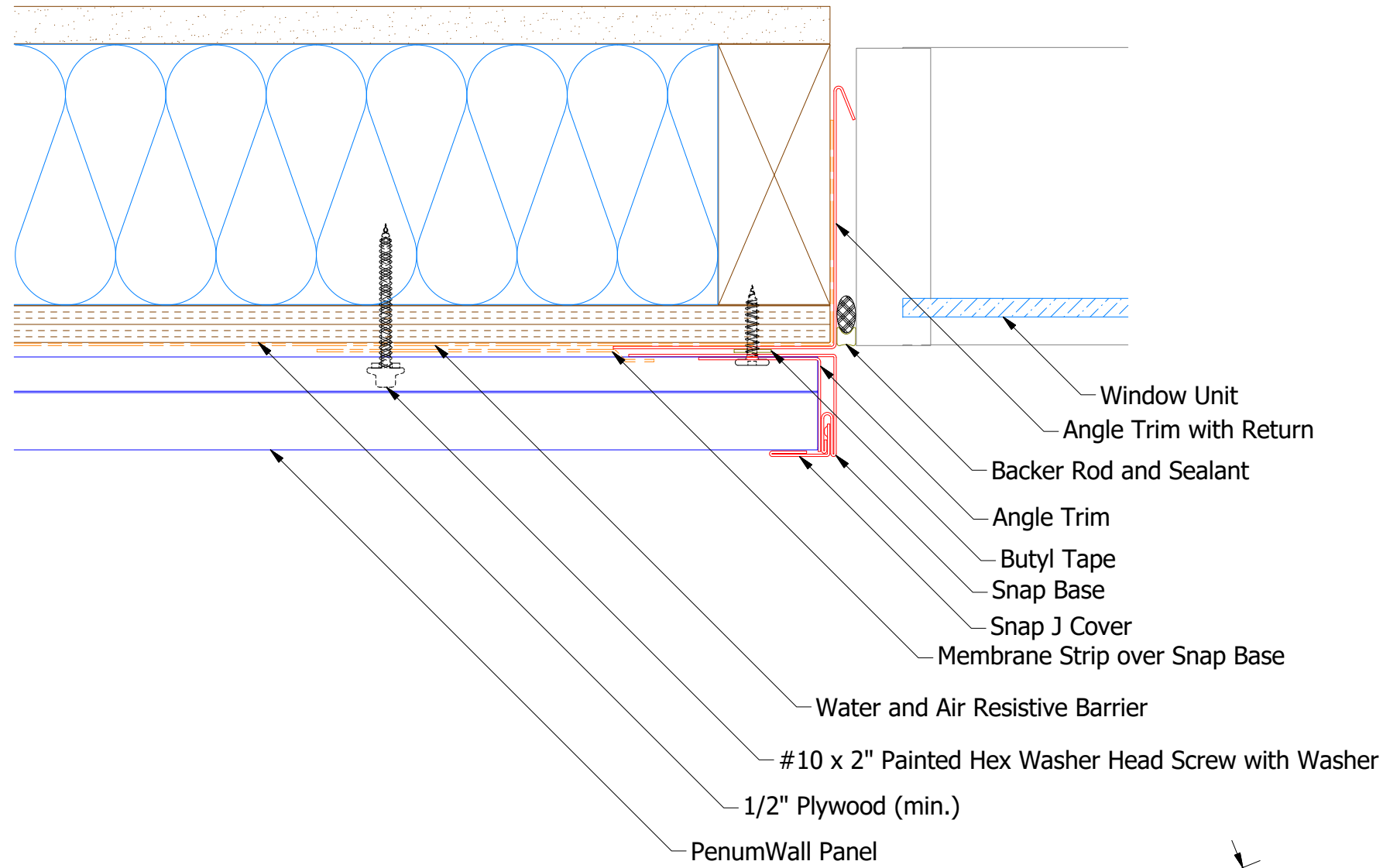
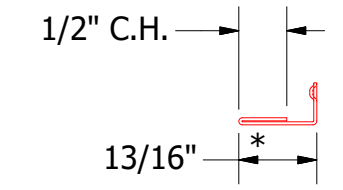
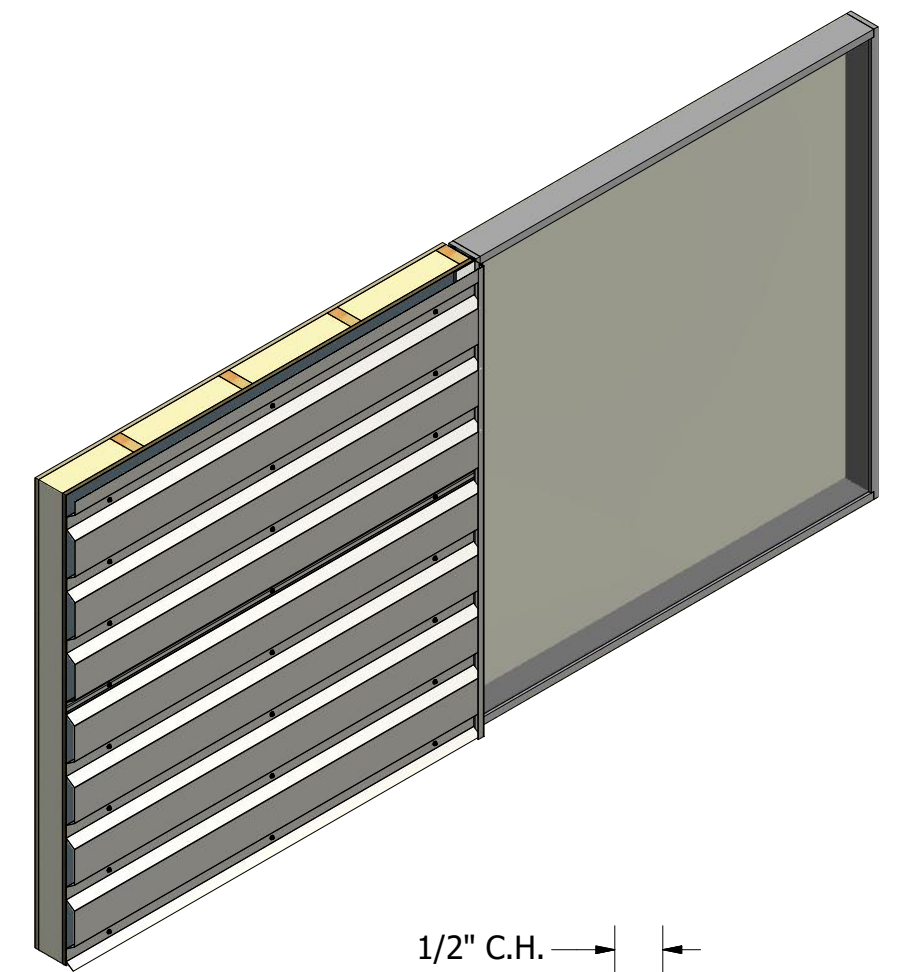


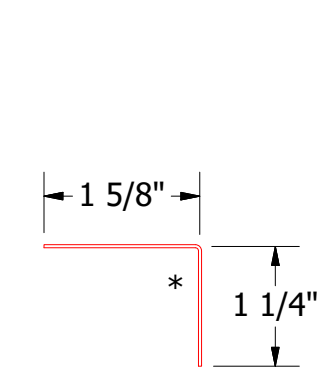
Horizontal Panel - Alternate



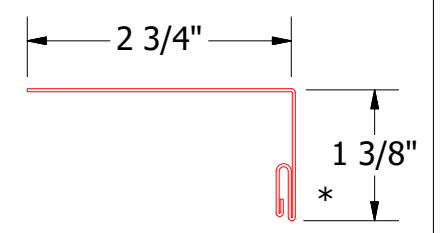
BPA683 - Angle Trim with Return



UNS078 - Snap J Cover



BPA680 - Angle Trim



BPA139 - Snap Base

Note: * denotes color side.

ATAS ATAS INTERNATIONAL, INC
 Allentown PA
 610-395-8445
 Mesa AZ
 480-558-7210

TITLE				PenumWall Jamb Alt Detail			
REV. NO.	DATE	DESCRIPTION OF REVISION	BY	APP	DWG. NO.	DR	DATE
01	3/18/2021	Added color side note and updated Trim SKU's.	KRK			KRK	12/22/2015
						DAS	DATE 7/16/20
						SH. SIZE B	SCALE X:X