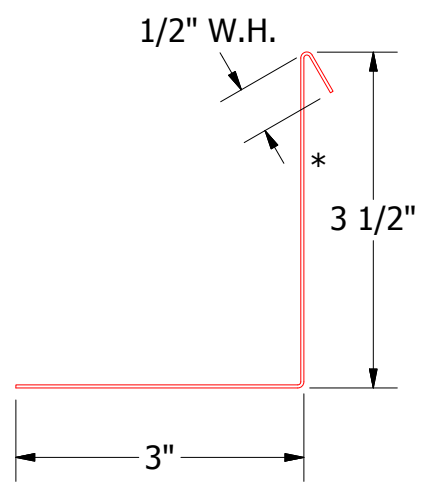
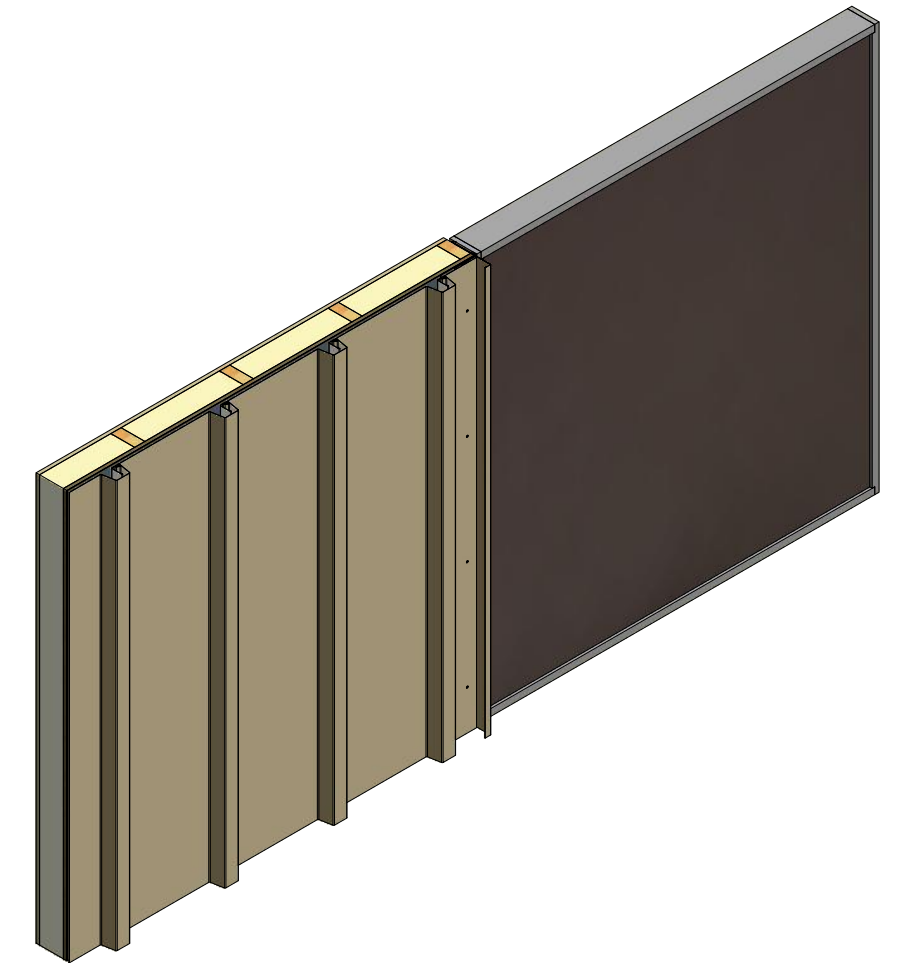
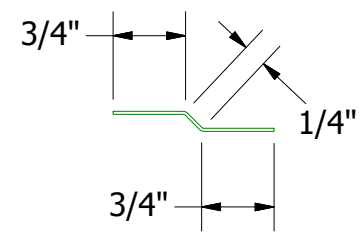


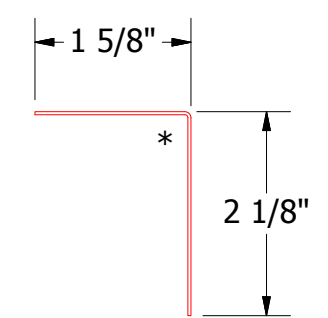
- Window
- Angle Trim with Return
- Backer Rod and Sealant
- Angle Trim
- #10 x 1" Wafer Head Fastener
- S.S. Painted Pop Rivet
- Joggle Cleat
- Membrane Strip
- J Channel
- Insulation
- Monarch Batten Panel
- Monarch Batten Clip



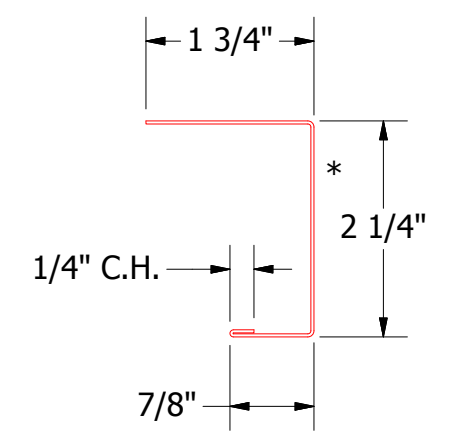
Angle Trim with Return



Joggle Cleat



Angle Trim



J Channel

Note: * denotes color side.

REV. NO.	DATE	DESCRIPTION OF REVISION	BY	APP

ATAS INTERNATIONAL, INC
 Allentown PA
 610-395-8445
 Mesa AZ
 480-558-7210

TITLE		Monarch Batten Jamb Detail	
DWG. NO.	DR	DATE	6/28/2019
	DMR	DATE	
MATERIAL	APP	DATE	
SH. SIZE	B	SCALE	X:X