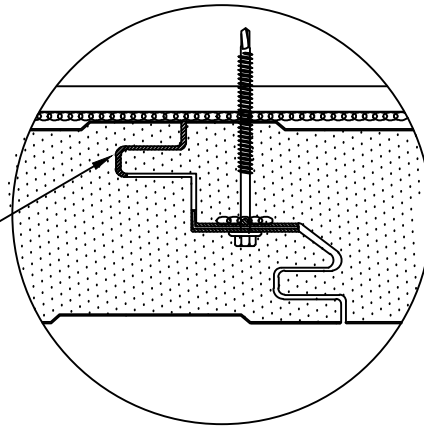


CONTINUOUS NON-SKINNING BUTYL APPLIED WITHIN LINER SIDE PANEL JOINT WITH MARRIAGE BEAD CONNECTING IT TO PERIMETER NON-SKINNING BUTYL BEHIND PANEL



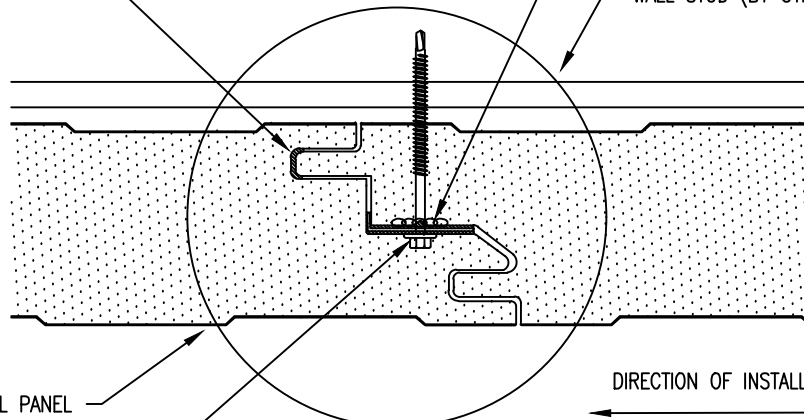
CONDITION AT PERIMETER OF WALL

CONTINUOUS NON-SKINNING BUTYL APPLIED WITHIN LINER SIDE PANEL JOINT

INTERIOR

MINIMUM (2) FASTENERS (TYPE PER ENGINEERING DESIGN) WITH NON-SKINNING BUTYL AT THE POINT OF PENETRATION

WALL STUD (BY OTHERS)



INSULATED WALL PANEL

DIRECTION OF INSTALLATION ←

WALL PANEL CLIP

EXTERIOR

3/8" UNIFORM BEAD OF NON-SKINNING BUTYL SEALANT MUST BE APPLIED IN THE INTERIOR FEMALE GROOVE. APPLYING SEALANT IN THE EXTERIOR FEMALE GROOVE IS OPTIONAL DEPENDING ON VAPOR SEAL REQUIREMENTS

** THE DETAIL SHOWN IS SUBJECT TO CHANGE WITHOUT NOTICE



ATAS INTERNATIONAL, INC
Allentown PA
610-395-8445
Mesa AZ
480-558-7210

TITLE
Vertical Wall-Sheet Metal Flashing-Side Lap

DWG. NO.	DR	DATE
MATERIAL	APP	DATE
REV. NO.	SH. SIZE	SCALE

REV. NO.	DATE	DESCRIPTION OF REVISION	BY	APP

X:X