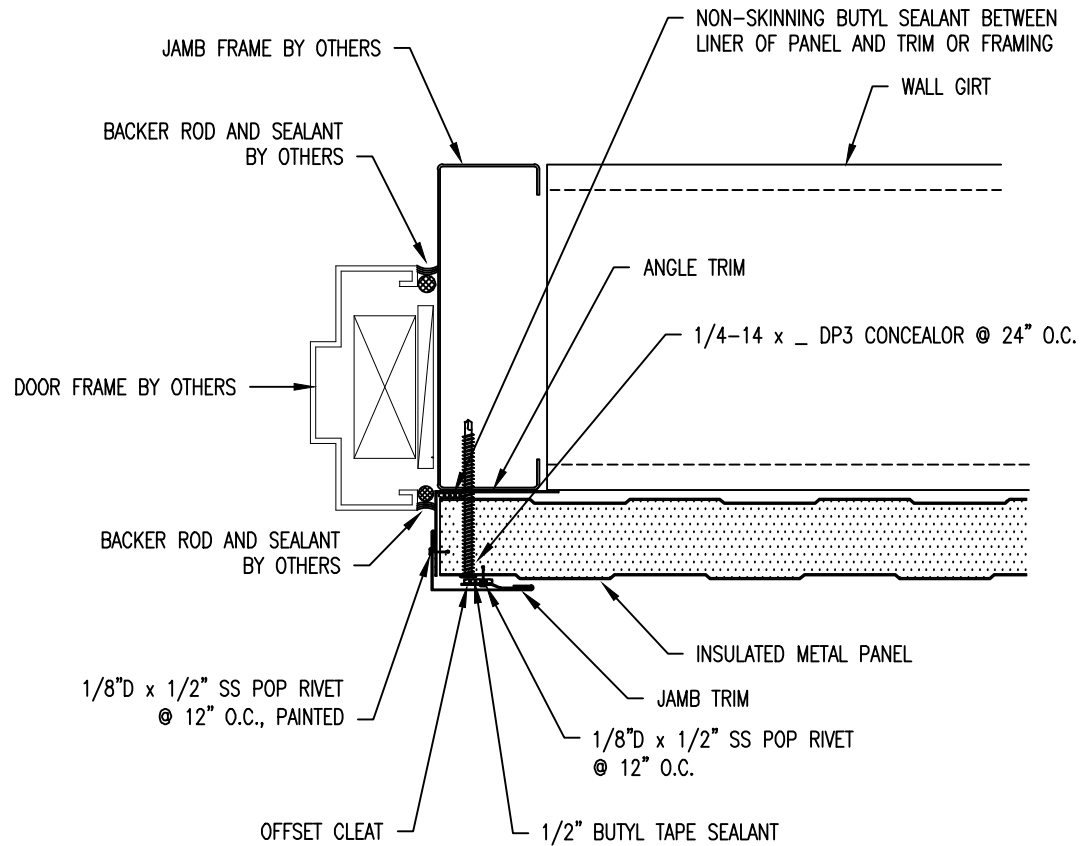
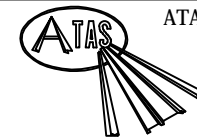


\*OPTION AVAILABLE TO OMIT OFFSET CLEAT BY CHOOSING TO POP RIVET FRONT FACE OF JAMB TRIM DIRECTLY TO PANEL.



\*\* THE DETAIL SHOWN IS SUBJECT TO CHANGE WITHOUT NOTICE.



ATAS INTERNATIONAL, INC  
 Allentown PA  
 610-395-8445  
 Mesa AZ  
 480-558-7210

TITLE Vertical Wall-Sheet Metal Flashing- Door Jamb			
DWG. NO.		DR	DATE
MATERIAL		APP	DATE
REV. NO.		SH. SIZE	SCALE X:X

REV. NO.	DATE	DESCRIPTION OF REVISION	BY	APP