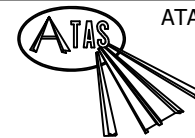
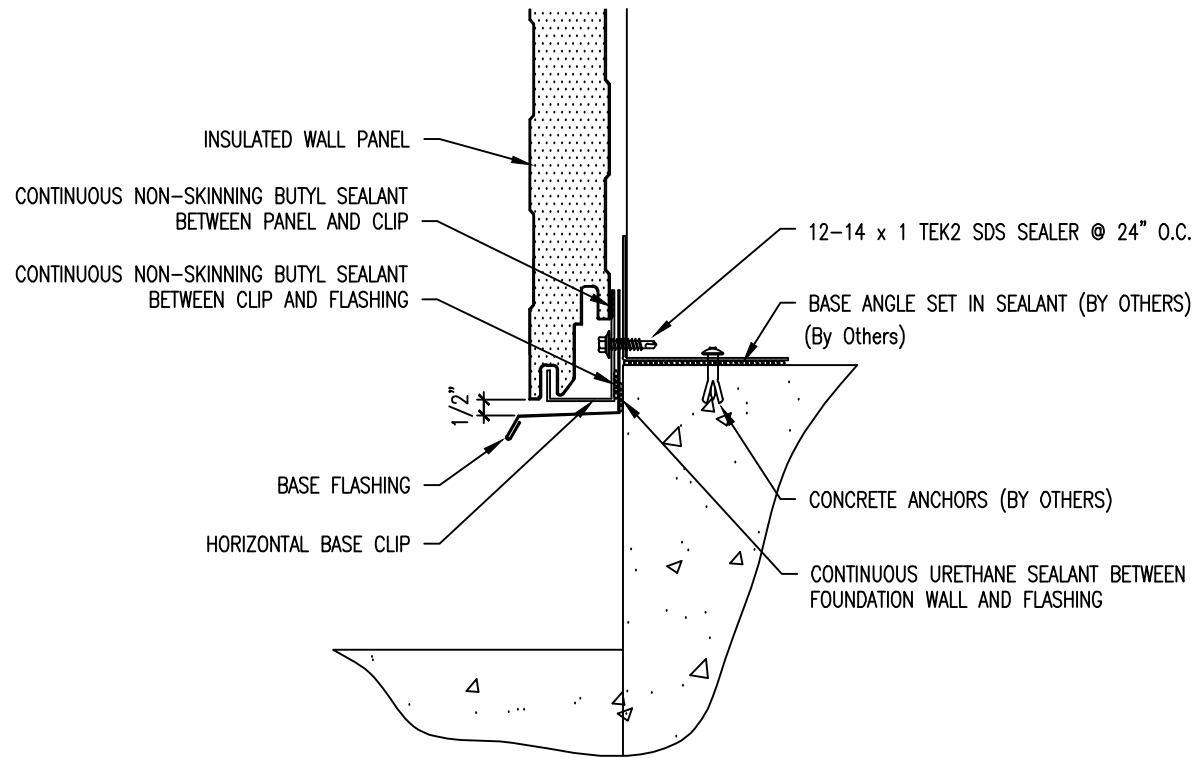


\*\* THE DETAIL SHOWN IS SUBJECT TO CHANGE WITHOUT NOTICE.



ATAS INTERNATIONAL, INC  
 Allentown PA  
 610-395-8445  
 Mesa AZ  
 480-558-7210

					TITLE		Horizontal Wall-Sheet Metal Flashing-Flush Base	
					DWG. NO.		DR	DATE
					MATERIAL		APP	DATE
REV. NO.	DATE	DESCRIPTION OF REVISION	BY	APP			SH. SIZE	SCALE X:X

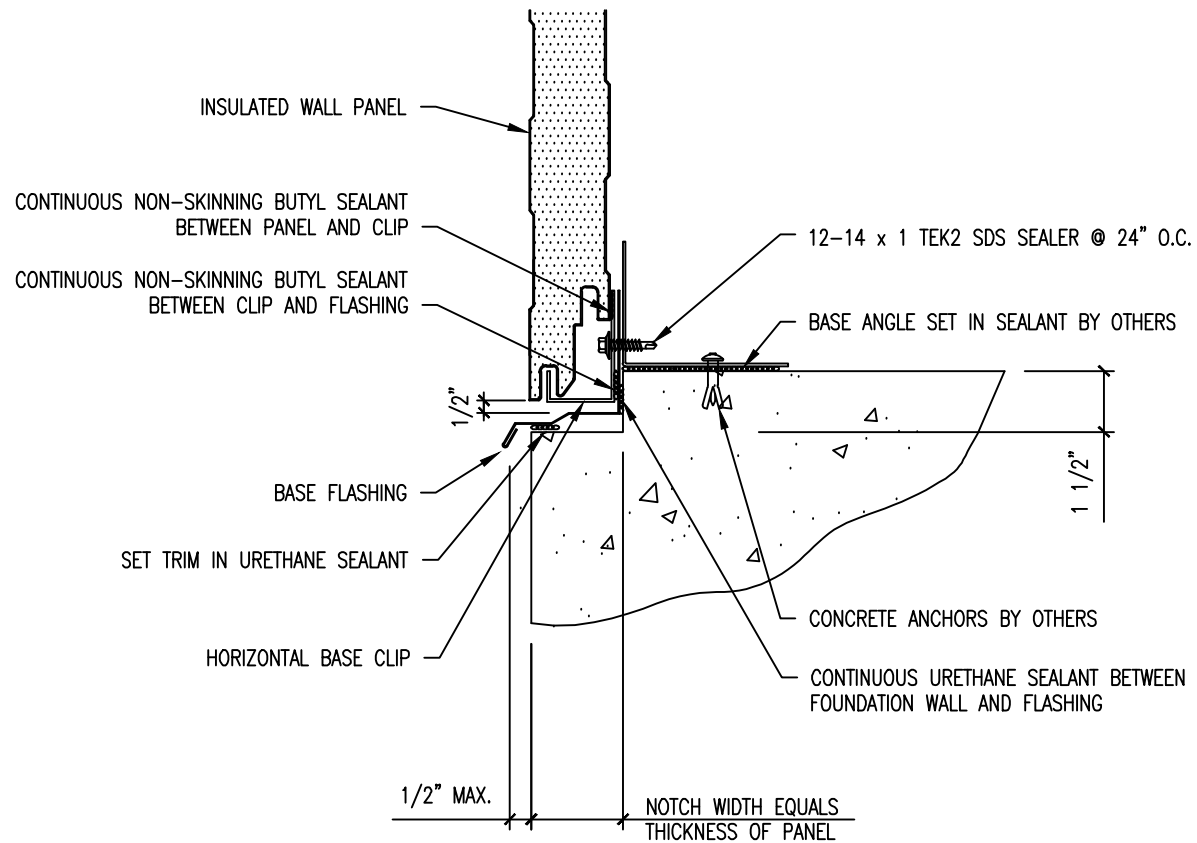


\*\* THE DETAIL SHOWN IS SUBJECT TO CHANGE WITHOUT NOTICE.



ATAS INTERNATIONAL, INC  
 Allentown PA  
 610-395-8445  
 Mesa AZ  
 480-558-7210

					TITLE		
					Horizontal Wall-Sheet Metal Flashing-Base Overhang		
					DWG. NO.	DR	DATE
						APP	DATE
					MATERIAL	SH. SIZE	SCALE
REV. NO.	DATE	DESCRIPTION OF REVISION	BY	APP			X:X

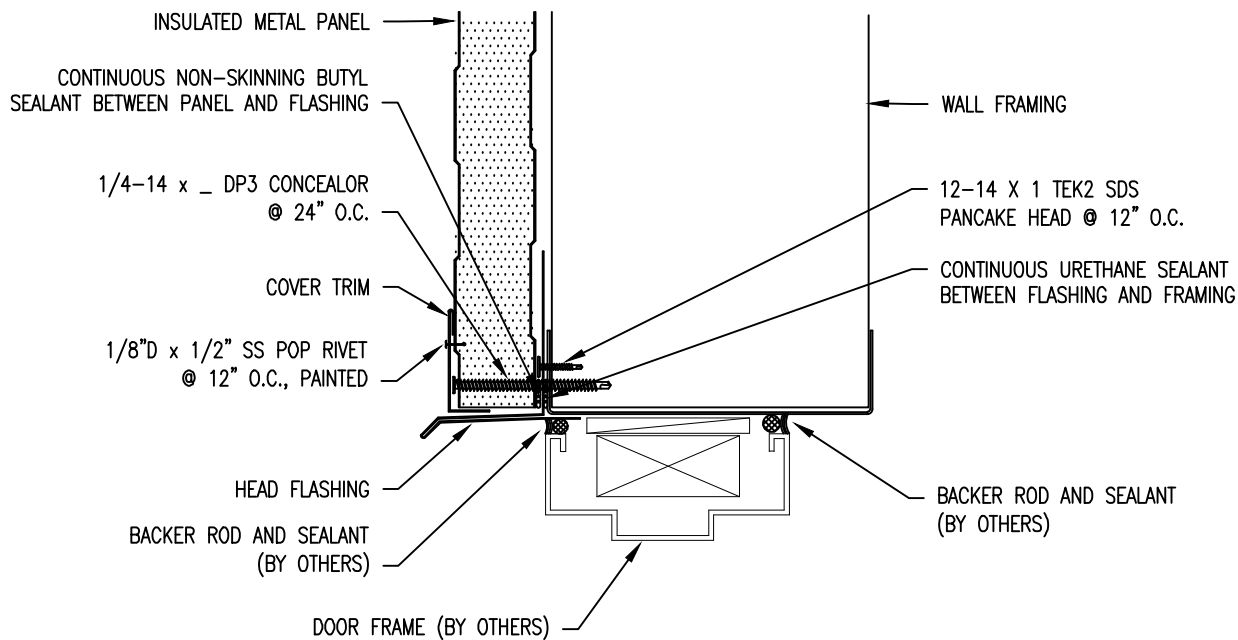


\*\* THE DETAIL SHOWN IS SUBJECT TO CHANGE WITHOUT NOTICE.



**ATAS INTERNATIONAL, INC**  
 Allentown PA  
 610-395-8445  
 Mesa AZ  
 480-558-7210

					TITLE		
					Horizontal Wall-Sheet Metal Flashing-Base-Notched		
					DWG. NO.	DR	DATE
						APP	DATE
					MATERIAL	SH. SIZE	SCALE
REV. NO.	DATE	DESCRIPTION OF REVISION	BY	APP			X:X

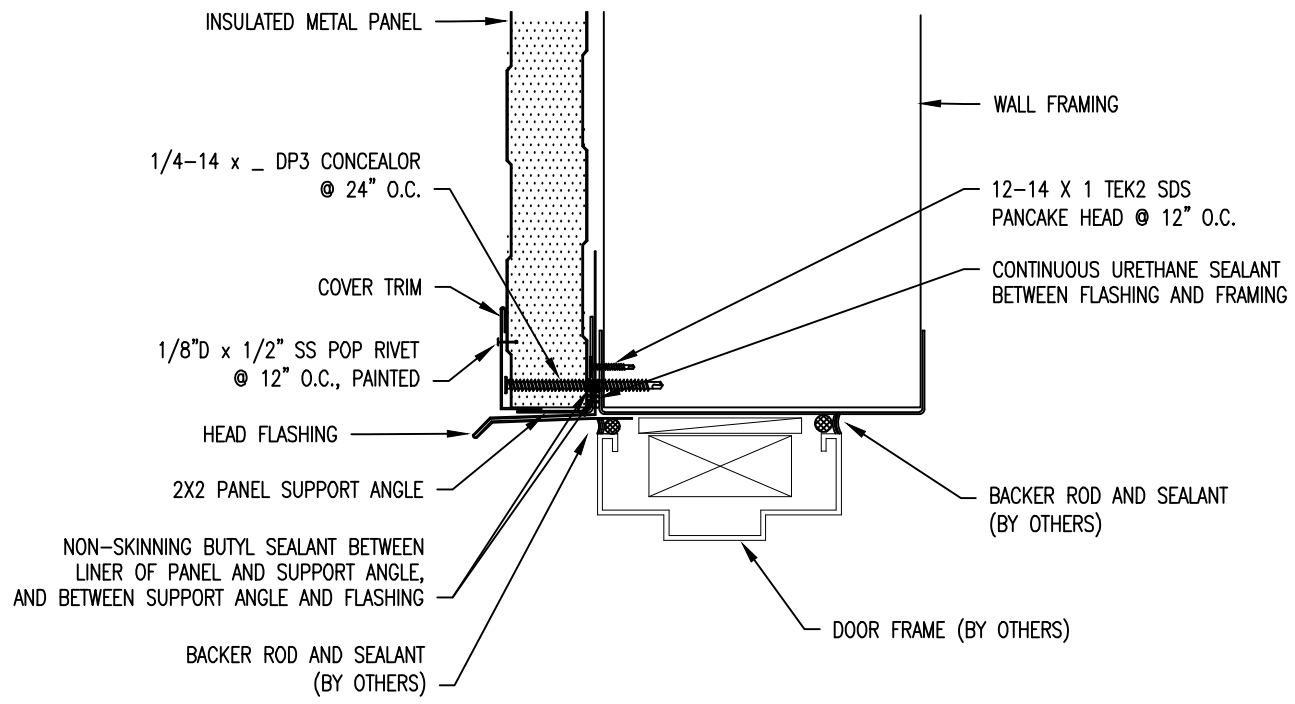


\*\* THE DETAIL SHOWN IS SUBJECT TO CHANGE WITHOUT NOTICE.



ATAS INTERNATIONAL, INC  
 Allentown PA  
 610-395-8445  
 Mesa AZ  
 480-558-7210

					TITLE			
					Horiz Wall-Sheet Metal Flashing-Door Header			
					DWG. NO.	DR	DATE	
					MATERIAL		APP	DATE
REV. NO.	DATE	DESCRIPTION OF REVISION	BY	APP	SH. SIZE	SCALE	X:X	



\*\* THE DETAIL SHOWN IS SUBJECT TO CHANGE WITHOUT NOTICE.

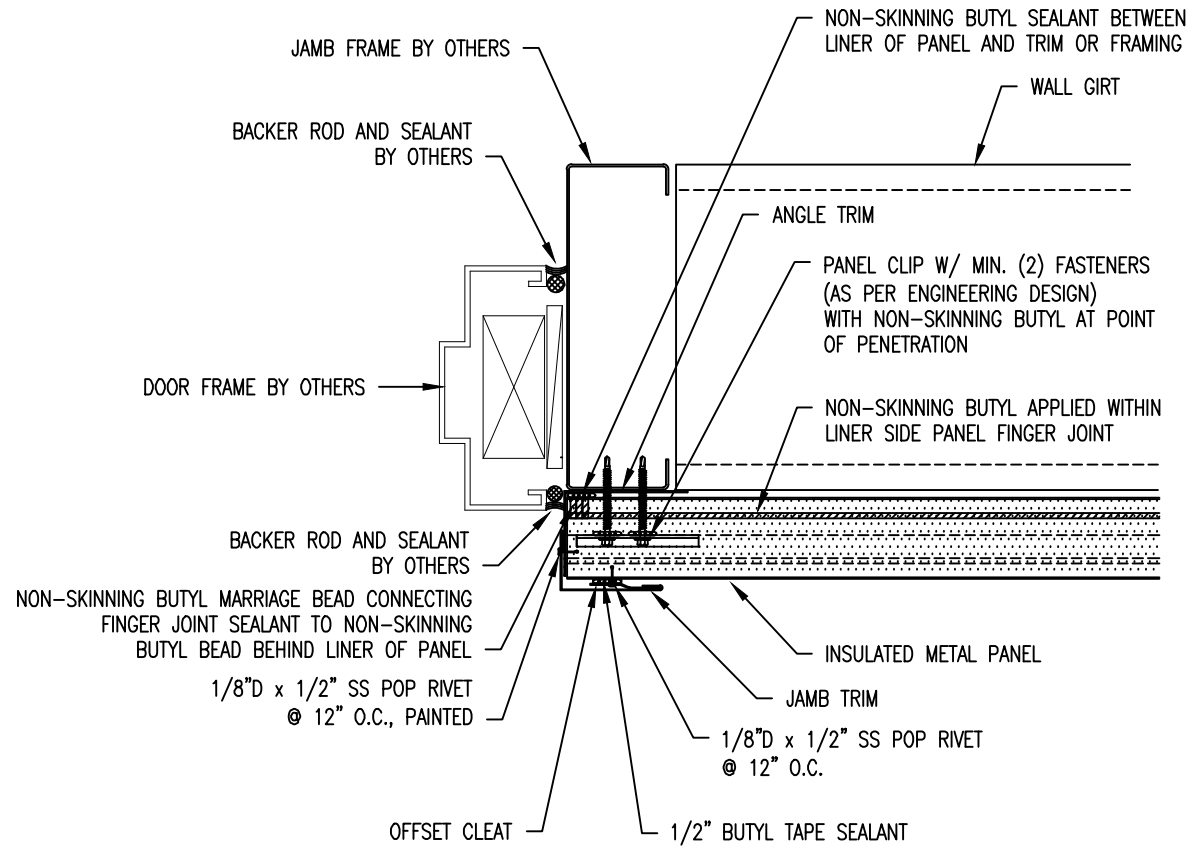


ATAS INTERNATIONAL, INC  
 Allentown PA  
 610-395-8445  
 Mesa AZ  
 480-558-7210

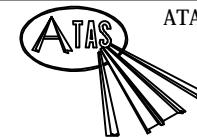
TITLE				Horiz Wall-Sheet Metal Flashing-Door Head-Supported	
DWG. NO.		DR	DATE		
MATERIAL		APP	DATE		
REV. NO.	DATE	DESCRIPTION OF REVISION	BY	APP	SH. SIZE SCALE

X:X

\*OPTION AVAILABLE TO OMIT OFFSET CLEAT BY CHOOSING TO POP RIVET FRONT FACE OF JAMB TRIM DIRECTLY TO PANEL.

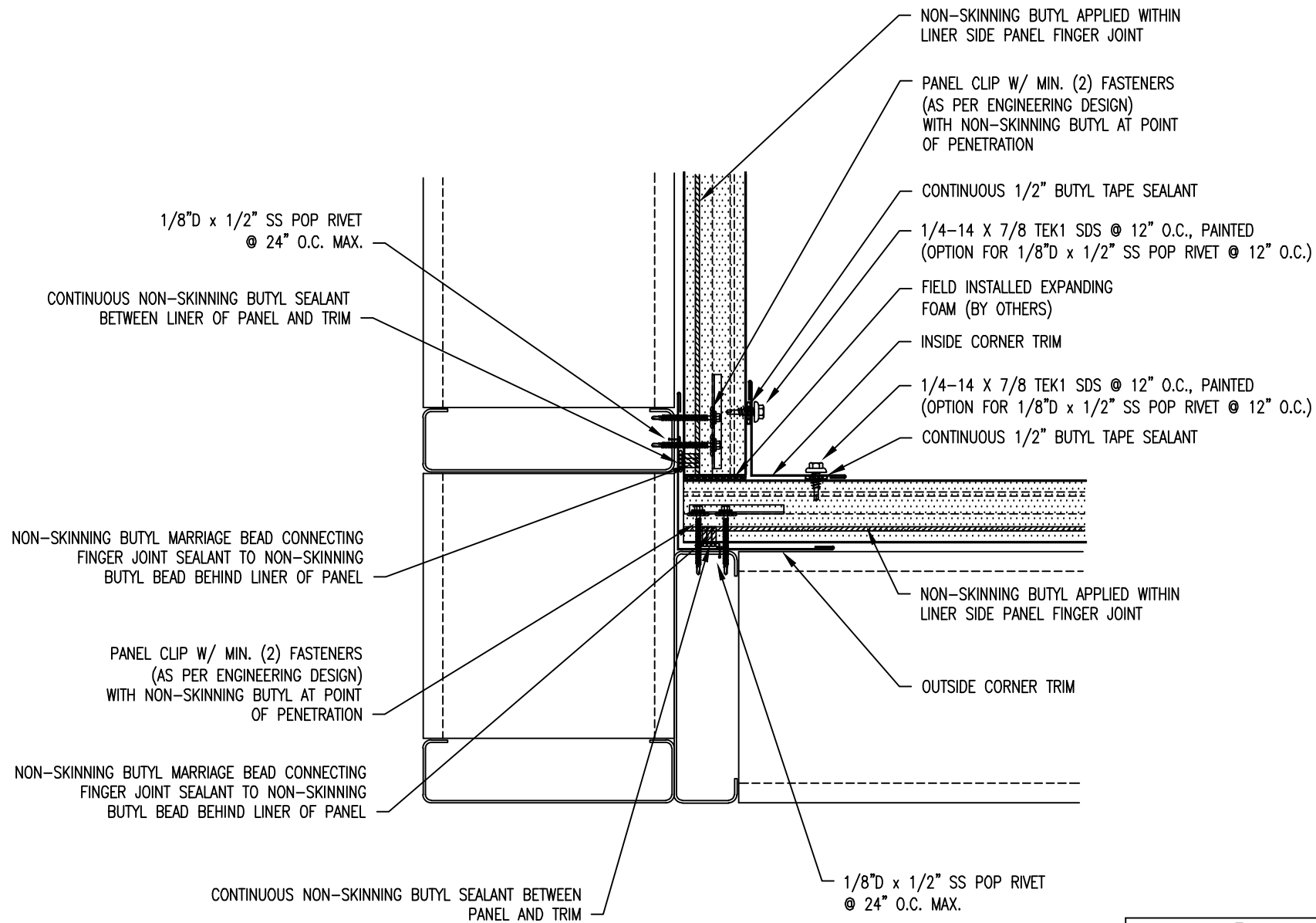


\*\* THE DETAIL SHOWN IS SUBJECT TO CHANGE WITHOUT NOTICE.



ATAS INTERNATIONAL, INC  
 Allentown PA  
 610-395-8445  
 Mesa AZ  
 480-558-7210

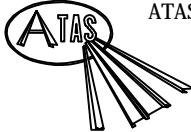
TITLE					Horizontal Wall-Sheet Metal Flashing-Door Jamb	
DWG. NO.			DR	DATE		
MATERIAL			APP	DATE		
REV. NO.	DATE	DESCRIPTION OF REVISION	BY	APP	SH. SIZE	SCALE
						X:X

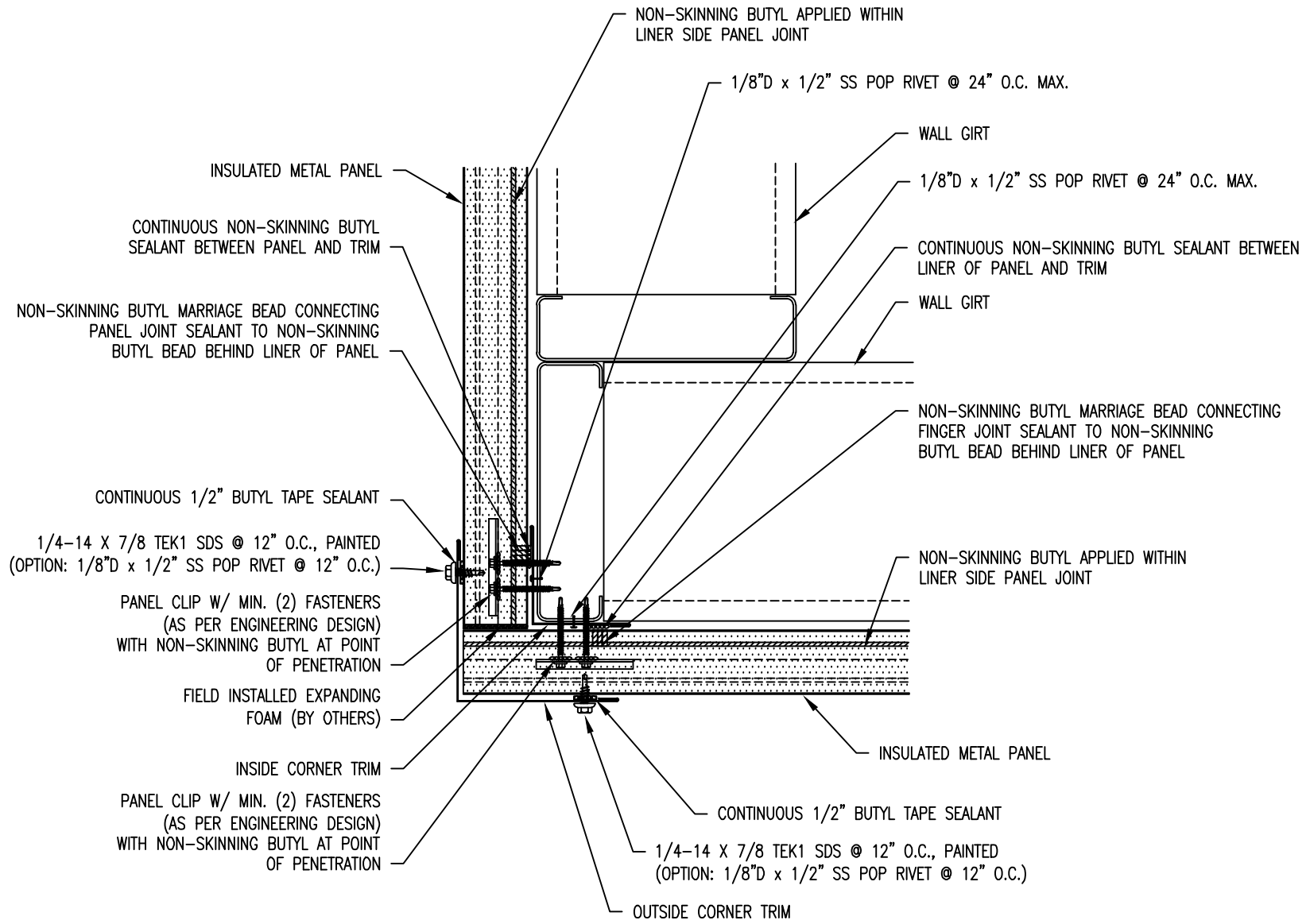


NOTE: FIELD CUT STARTING PANEL AND ENDING PANEL AS REQUIRED AT CORNER TRANSITION.

\*\* THE DETAIL SHOWN IS SUBJECT TO CHANGE WITHOUT NOTICE.

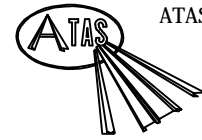
REV. NO.	DATE	DESCRIPTION OF REVISION	BY	APP

		<b>ATAS INTERNATIONAL, INC</b> Allentown PA 610-395-8445 Mesa AZ 480-558-7210	
		<b>TITLE</b> Horizontal Wall-Sheet Metal Flashing-Inside Corner	
<b>DWG. NO.</b>		<b>DR</b>	<b>DATE</b>
<b>MATERIAL</b>		<b>APP</b>	<b>DATE</b>
<b>SH. SIZE</b>		<b>SCALE</b>	<b>X:X</b>



NOTE: FIELD CUT STARTING PANEL AND ENDING PANEL AS REQUIRED AT CORNER TRANSITION.

\*\* THE DETAIL SHOWN IS SUBJECT TO CHANGE WITHOUT NOTICE.



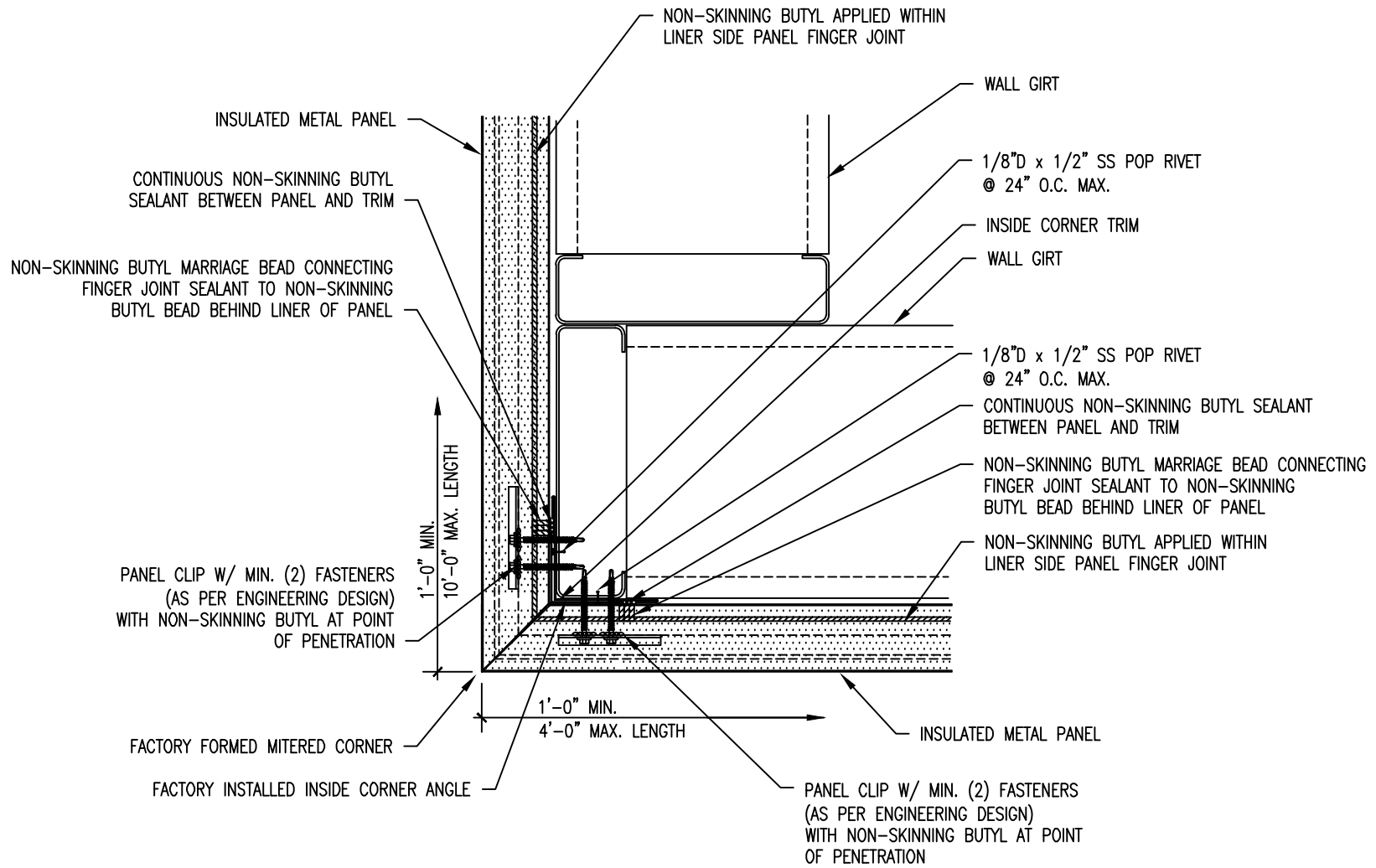
ATAS INTERNATIONAL, INC  
 Allentown PA  
 610-395-8445  
 Mesa AZ  
 480-558-7210

TITLE  
**Horizontal Wall-Sheet Metal Flashing-Outside Corner**

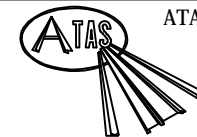
REV. NO.	DATE	DESCRIPTION OF REVISION	BY	APP

DWG. NO.	DR	DATE
MATERIAL	APP	DATE
SH. SIZE	SCALE	<b>X:X</b>





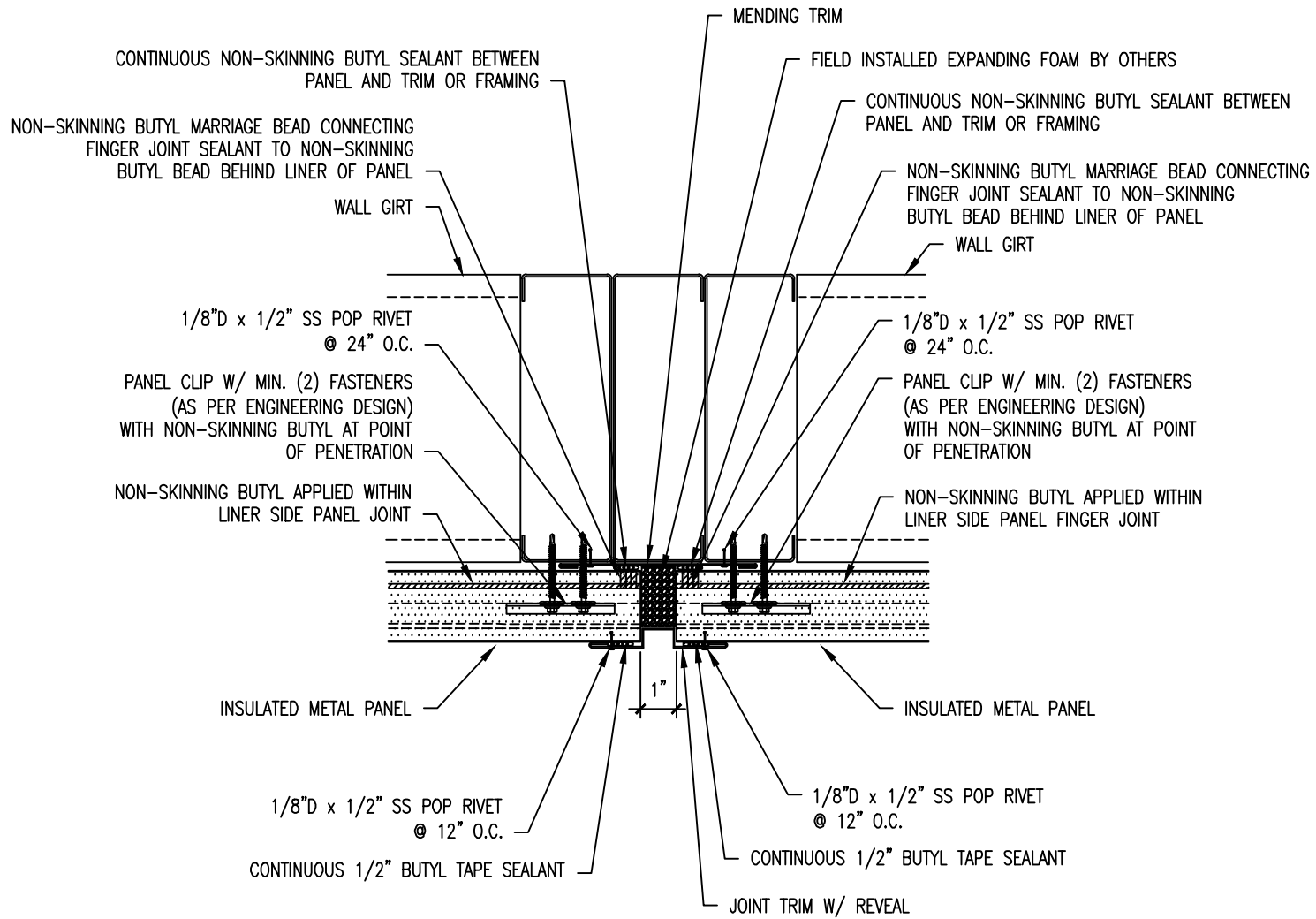
\*\* THE DETAIL SHOWN IS SUBJECT TO CHANGE WITHOUT NOTICE.



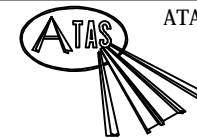
ATAS INTERNATIONAL, INC  
 Allentown PA  
 610-395-8445  
 Mesa AZ  
 480-558-7210

TITLE		Horizontal Wall-Sheet Metal Flashing- Outside Corner-Factory Formed	
DWG. NO.	DR	DATE	
MATERIAL	APP	DATE	
REV. NO.	SH. SIZE	SCALE	X:X

REV. NO.	DATE	DESCRIPTION OF REVISION	BY	APP

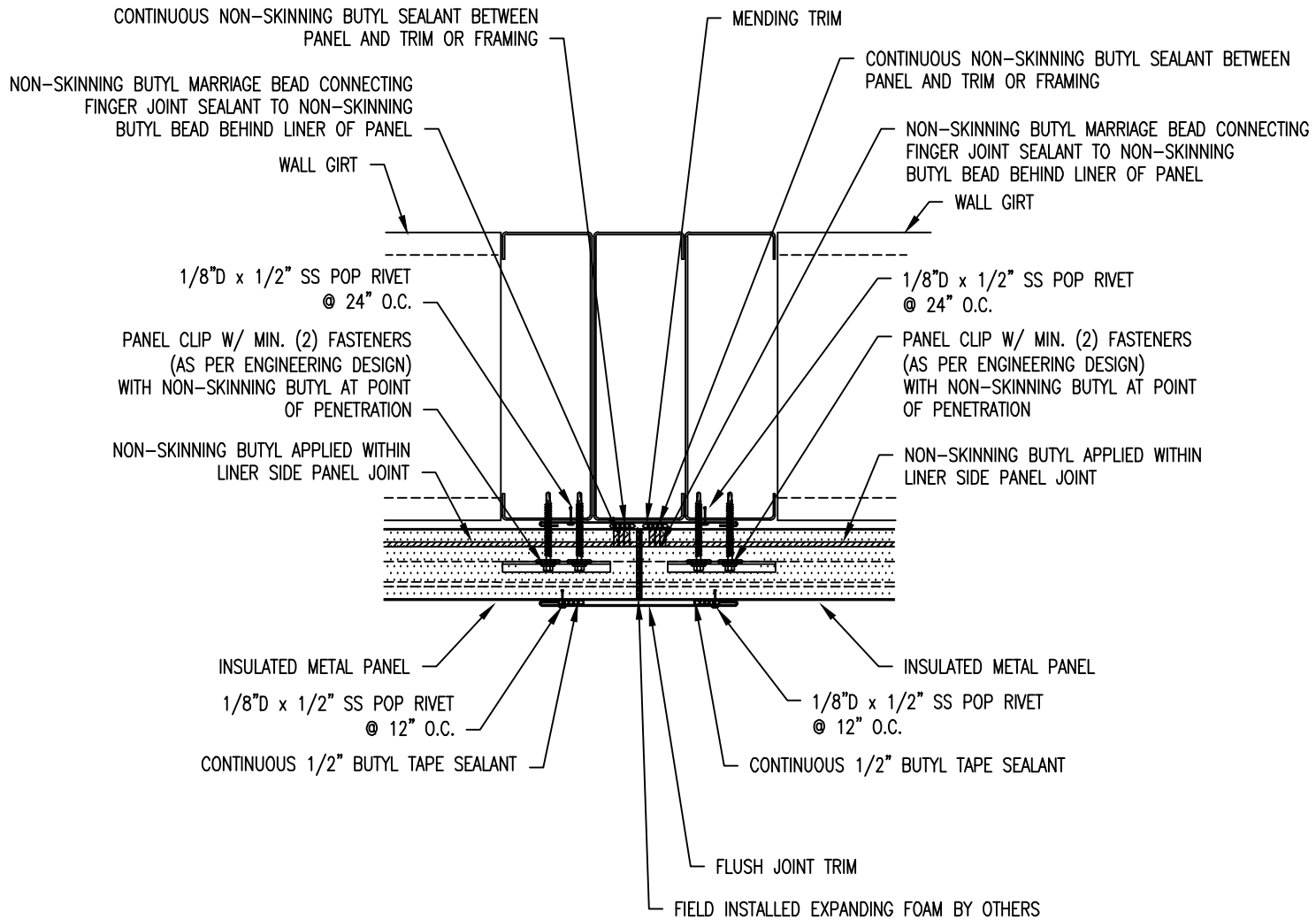


\*\* THE DETAIL SHOWN IS SUBJECT TO CHANGE WITHOUT NOTICE.



ATAS INTERNATIONAL, INC  
 Allentown PA  
 610-395-8445  
 Mesa AZ  
 480-558-7210

TITLE					Horiz. Wall-Sheet Metal Flashing-Side Joint-Arch	
DWG. NO.			DR	DATE		
MATERIAL			APP	DATE		
REV. NO.	DATE	DESCRIPTION OF REVISION	BY	APP	SH. SIZE	SCALE
						X:X

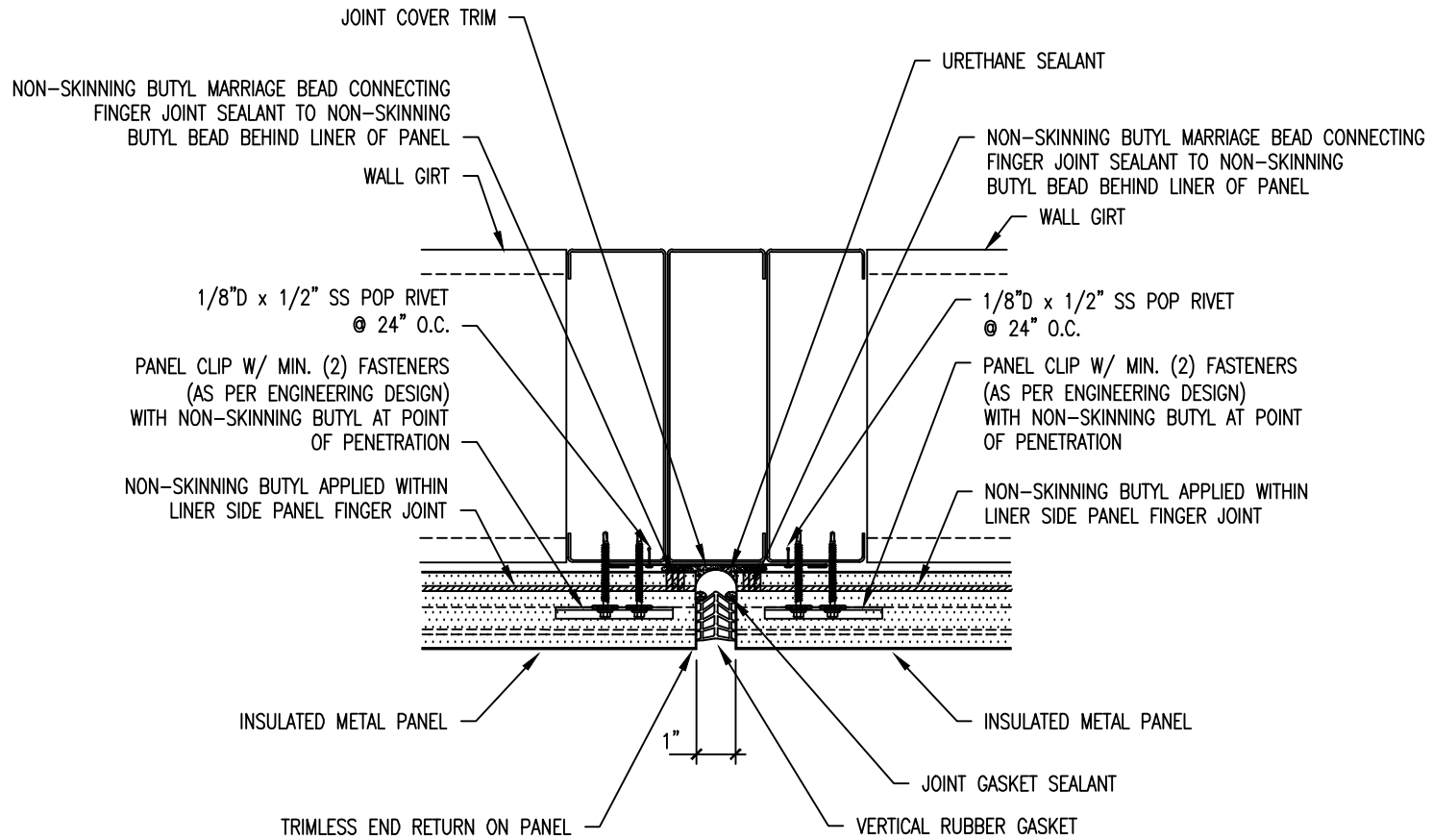


\*\* THE DETAIL SHOWN IS SUBJECT TO CHANGE WITHOUT NOTICE.



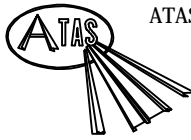
ATAS INTERNATIONAL, INC  
 Allentown PA  
 610-395-8445  
 Mesa AZ  
 480-558-7210

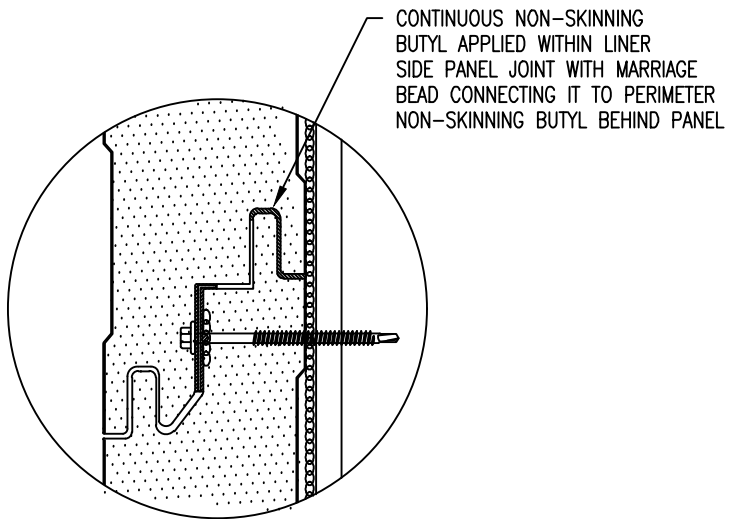
					TITLE			
					Horiz. Wall-Sheet Metal Flashing-Side Joint-Std			
					DWG. NO.	DR	DATE	
					MATERIAL		APP	DATE
REV. NO.	DATE	DESCRIPTION OF REVISION	BY	APP	SH. SIZE	SCALE	X:X	



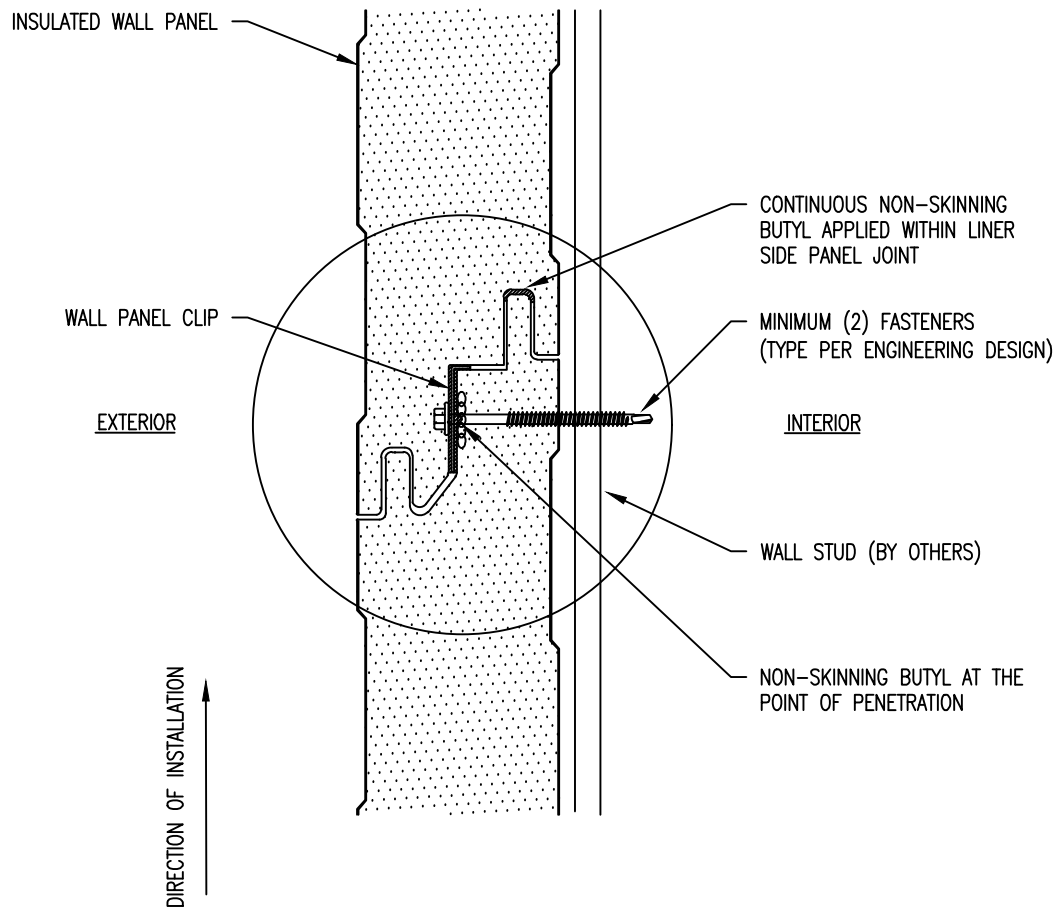
\*\* THE DETAIL SHOWN IS SUBJECT TO CHANGE WITHOUT NOTICE.

REV. NO.	DATE	DESCRIPTION OF REVISION	BY	APP

		<b>ATAS INTERNATIONAL, INC</b> Allentown PA 610-395-8445 Mesa AZ 480-558-7210	
		<b>TITLE Horiz. Wall-Sheet Metal Flashing-Side Joint-Trimless End-Arch</b>	
DWG. NO.		DR	DATE
MATERIAL		APP	DATE
		SH. SIZE	SCALE <b>X:X</b>

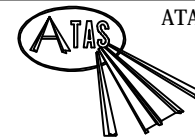


CONDITION AT PERIMETER OF WALL



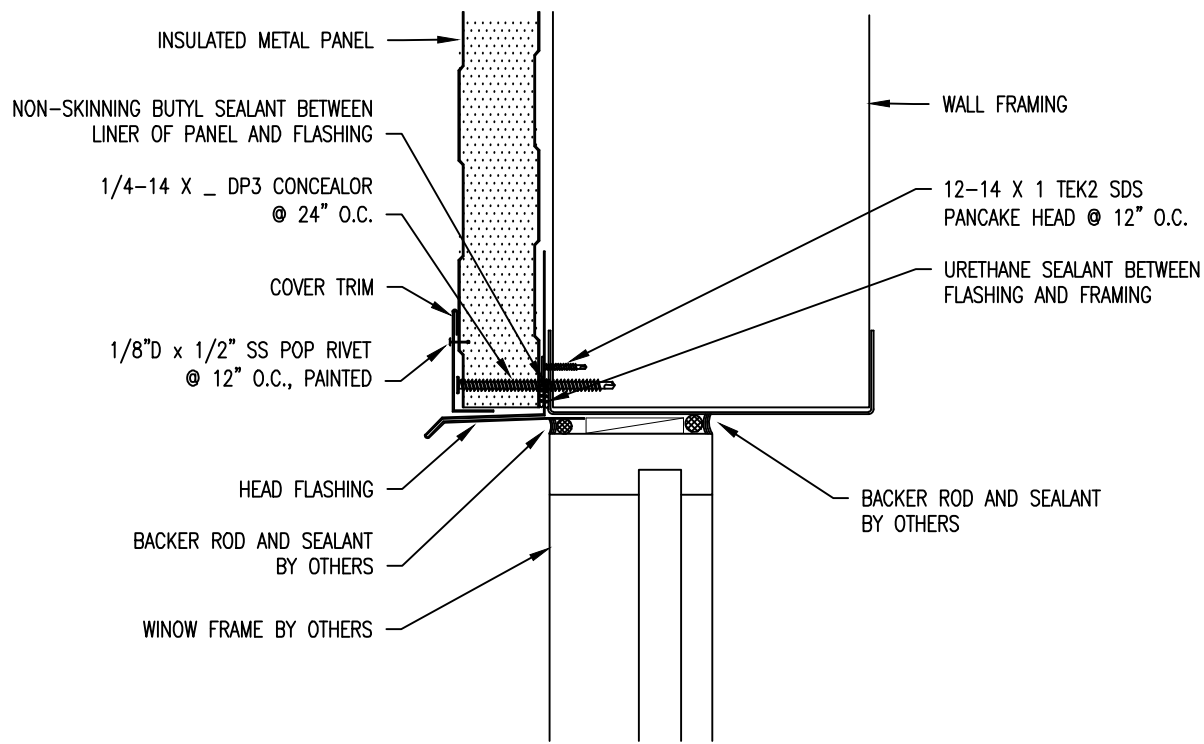
3/8" UNIFORM BEAD OF NON-SKINNING BUTYL SEALANT MUST BE APPLIED IN THE INTERIOR FEMALE GROOVE. APPLYING SEALANT IN THE EXTERIOR FEMALE GROOVE IS OPTIONAL DEPENDING ON VAPOR SEAL REQUIREMENTS

\*\* THE DETAIL SHOWN IS SUBJECT TO CHANGE WITHOUT NOTICE



ATAS INTERNATIONAL, INC  
 Allentown PA  
 610-395-8445  
 Mesa AZ  
 480-558-7210

					TITLE			
					Horizontal Wall-Sheet Metal Flashing-Side Lap			
					DWG. NO.	DR	DATE	
					MATERIAL		APP	DATE
REV. NO.	DATE	DESCRIPTION OF REVISION	BY	APP	SH. SIZE	SCALE	X:X	



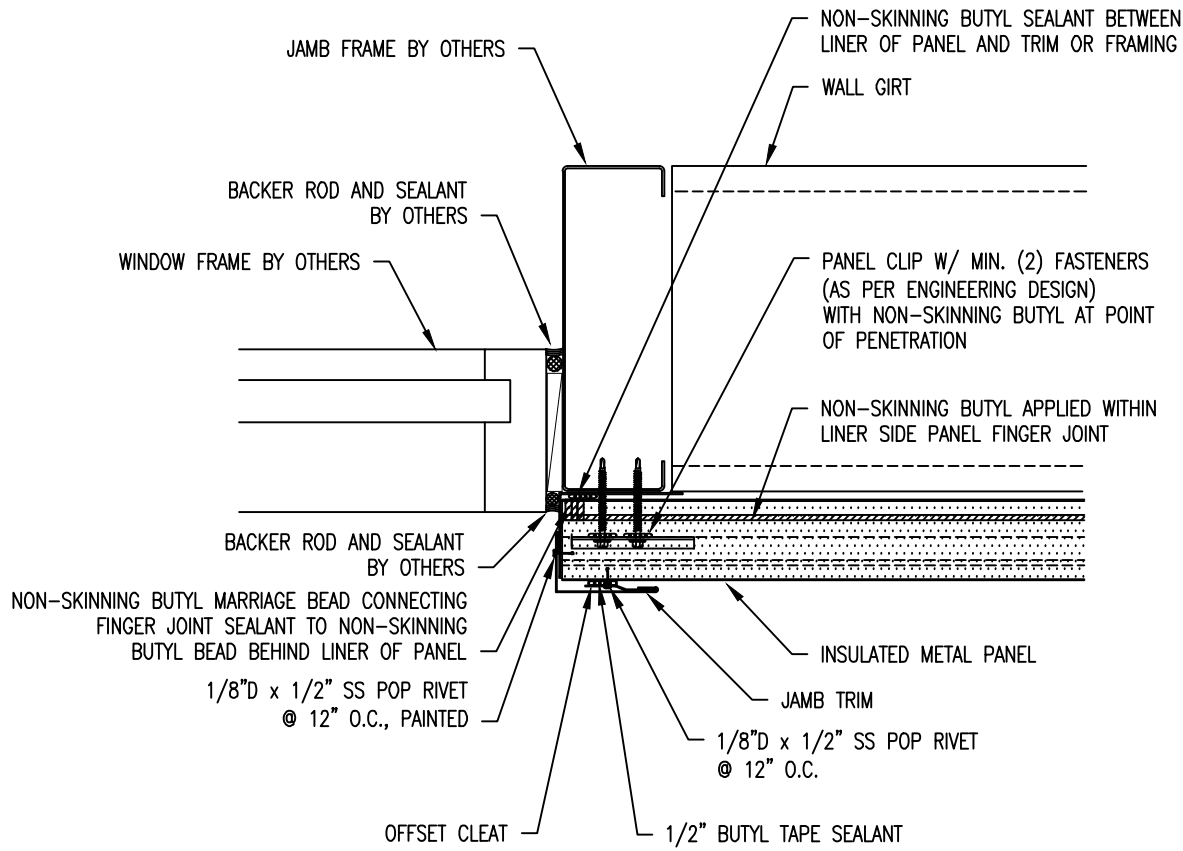
\*\* THE DETAIL SHOWN IS SUBJECT TO CHANGE WITHOUT NOTICE.



ATAS INTERNATIONAL, INC  
 Allentown PA  
 610-395-8445  
 Mesa AZ  
 480-558-7210

					TITLE		
					Horiz Wall-Sheet Metal Flashing-Window Head		
					DWG. NO.	DR	DATE
					MATERIAL		
					APP	DATE	
REV. NO.	DATE	DESCRIPTION OF REVISION	BY	APP	SH. SIZE	SCALE	X:X

\*OPTION AVAILABLE TO OMIT OFFSET CLEAT BY CHOOSING TO POP RIVET FRONT FACE OF JAMB TRIM DIRECTLY TO PANEL.



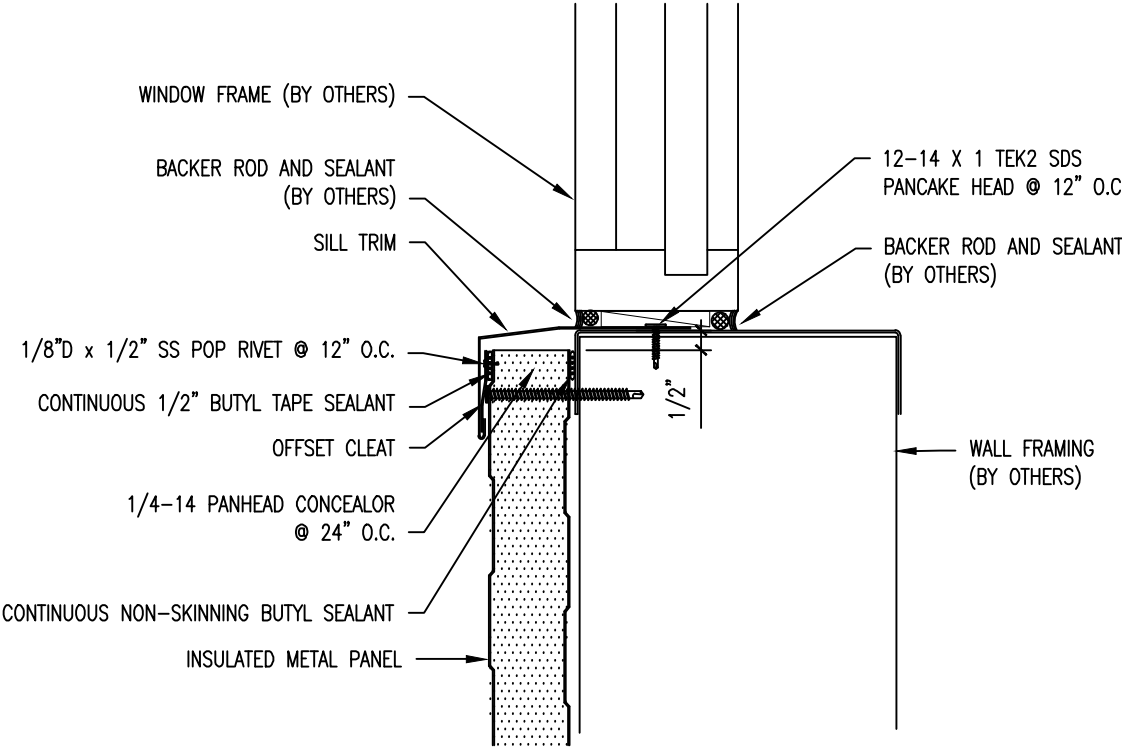
\*\* THE DETAIL SHOWN IS SUBJECT TO CHANGE WITHOUT NOTICE.



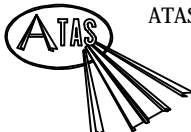
ATAS INTERNATIONAL, INC  
 Allentown PA  
 610-395-8445  
 Mesa AZ  
 480-558-7210

TITLE					Horiz Wall-Sheet Metal Flashing-Window Jamb	
DWG. NO.			DR	DATE		
MATERIAL			APP	DATE		
REV. NO.	DATE	DESCRIPTION OF REVISION	BY	APP	SH. SIZE	SCALE
						X:X

\*OPTION AVAILABLE TO OMIT OFFSET CLEAT BY CHOOSING TO POP RIVET FRONT FACE OF SILL TRIM DIRECTLY TO PANEL.



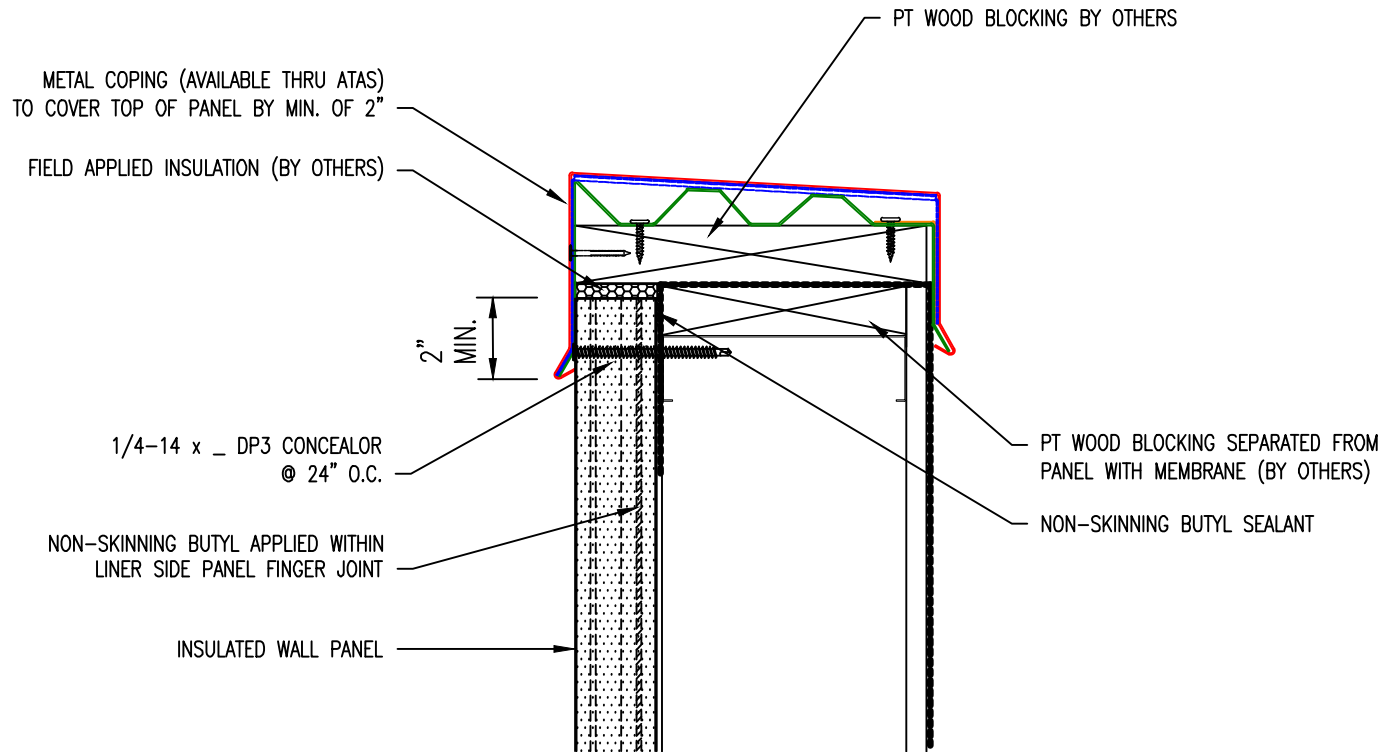
\*\* THE DETAIL SHOWN IS SUBJECT TO CHANGE WITHOUT NOTICE.



ATAS INTERNATIONAL, INC  
Allentown PA  
610-395-8445  
Mesa AZ  
480-558-7210

REV. NO.	DATE	DESCRIPTION OF REVISION	BY	APP	TITLE	DR	DATE
					Horizontal Wall-Sheet Metal Flashing-Window Sill- Arch	APP	DATE
					MATERIAL	SH. SIZE	SCALE
							X:X





\*\* THE DETAIL SHOWN IS SUBJECT TO CHANGE WITHOUT NOTICE.



ATAS INTERNATIONAL, INC  
Allentown PA  
610-395-8445  
Mesa AZ  
480-558-7210

TITLE					Horizontal Wall-Top of Wall-Parapet	
DWG. NO.			DR	DATE		
MATERIAL			APP	DATE		
REV. NO.	DATE	DESCRIPTION OF REVISION	BY	APP	SH. SIZE	SCALE
						X:X