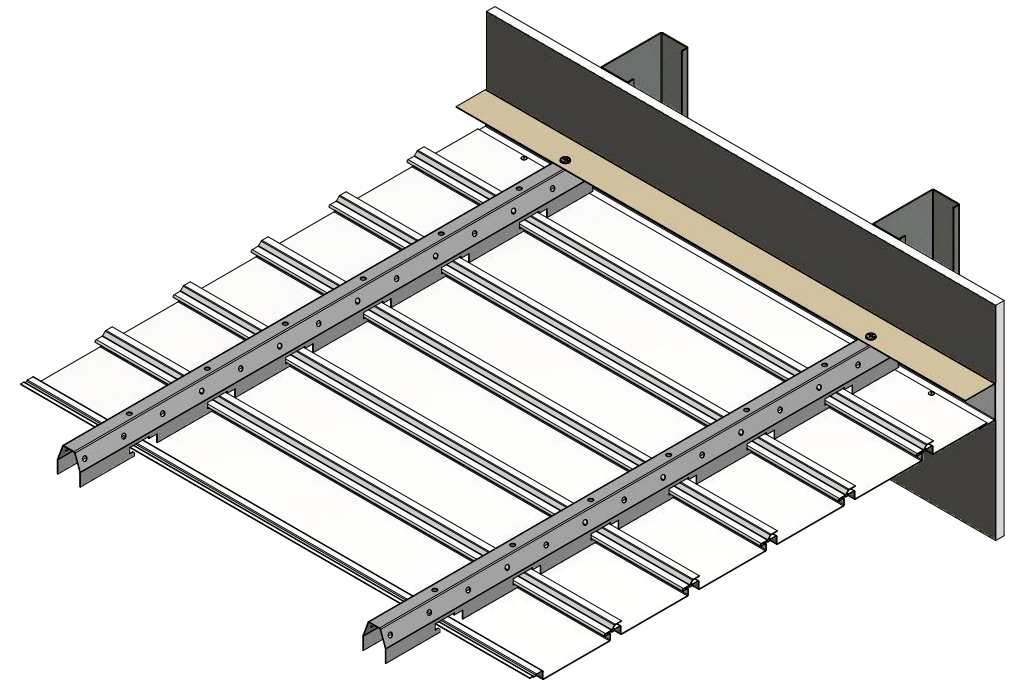
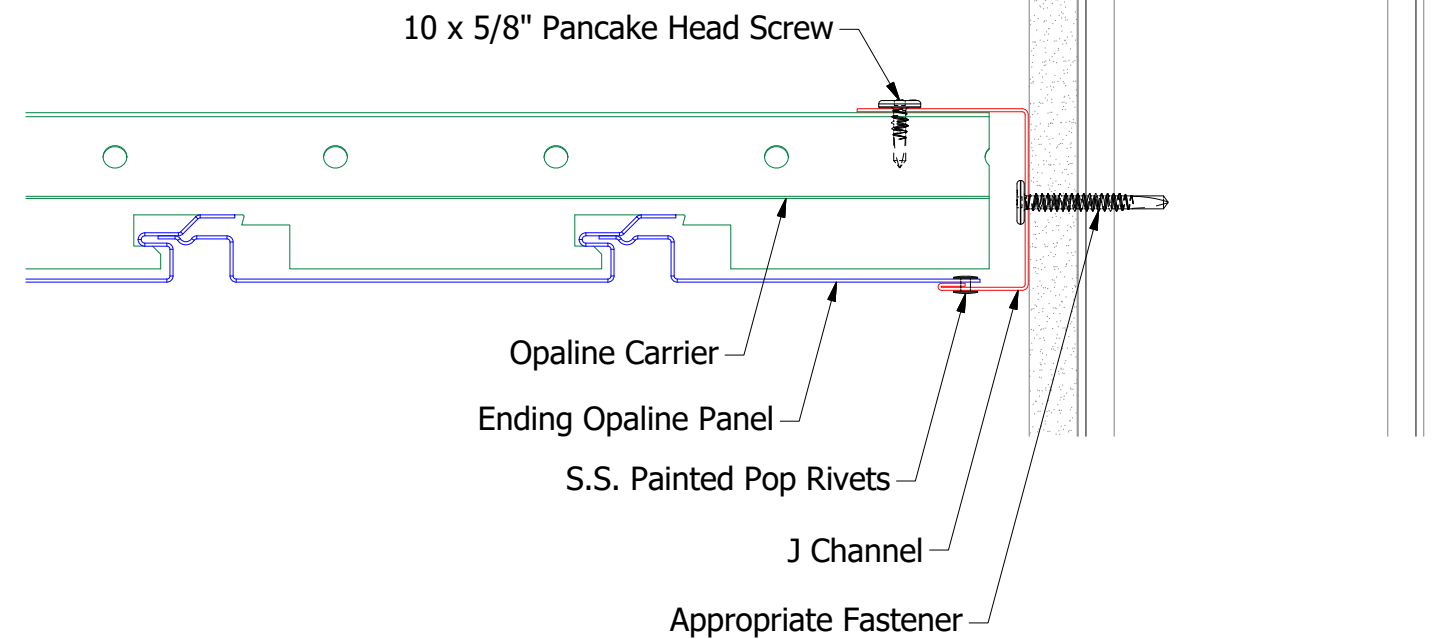
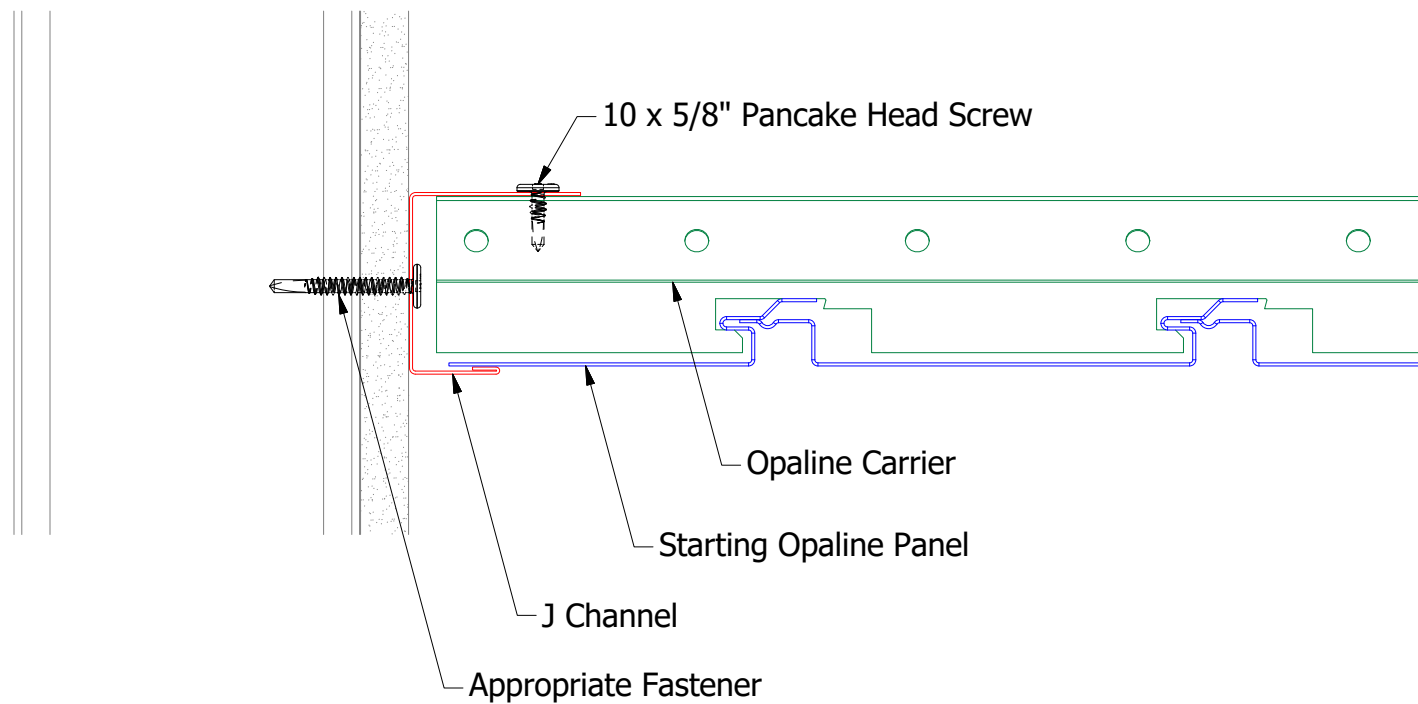


J Channel

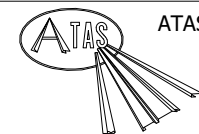


Starting Panel

Ending Panel



Note: * denotes color side.



ATAS INTERNATIONAL, INC
 Allentown PA
 610-395-8445
 Mesa AZ
 480-558-7210

TITLE Opaline Carrier J Channel Detail

REV. NO.	DATE	DESCRIPTION OF REVISION	BY	APP	DWG. NO.	DR	DATE
						KRK	5/3/2023
					MATERIAL	APP	DATE
						SH. SIZE	SCALE
						B	X:X