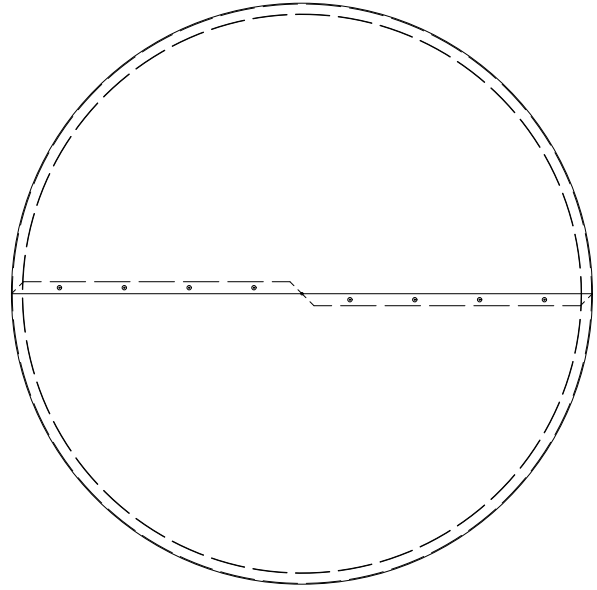
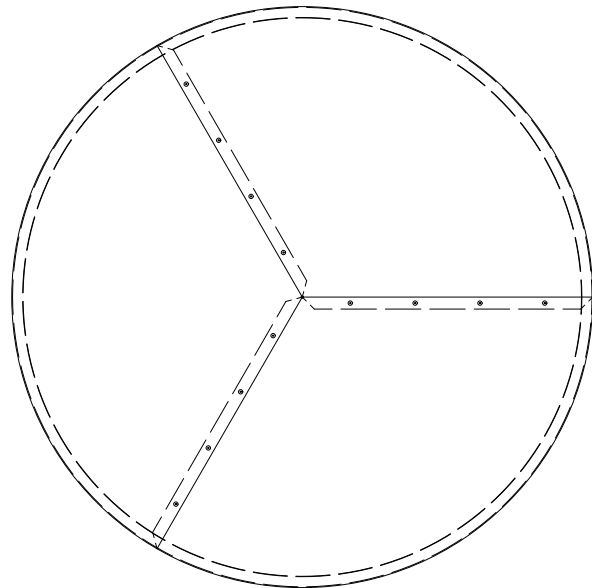
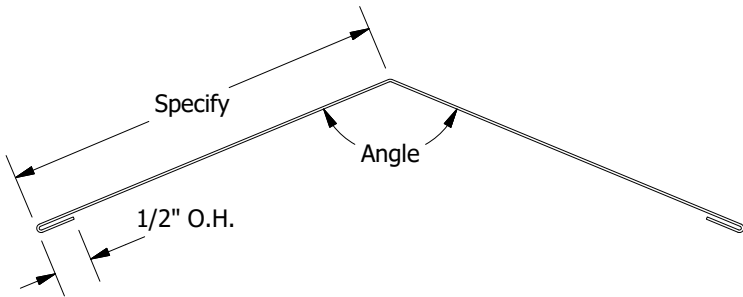


1 Piece Style Dome Cap



2 Piece Style Dome Cap



3 Piece Style Dome Cap
(Not Assembled)

Quantity:

- 1 Piece Style 2 Piece Style 3 Piece Style

____ Pieces

____ Specify Length

____ Specify Angle

MATERIAL:

- Pre-Finished Aluminum .032 .040

- Pre-Finished Steel 24 ga

- Zinc 0.8mm

- Copper

COLOR: _____

THICKNESS:

Job Name: _____

Customer: _____

Job #:

Representative: _____

Location:

Distributor: _____

CUSTOMER APPROVAL

Authorized Signature: _____

Approved by: _____

Date: _____