

ATAS International, Inc.

Sustainable Building Envelope Technology

FASCIA LEFT AND RIGHT END TERMS ACCESSORY SHEET

Fascia System

- Drip Edge Fascia
- Gravel Stop Fascia
- Edge-Lok 2 Fascia
- Edge-Lok 3 Fascia
- Rapid-Lok Fascia
- Rapid-Lok Extruded Fascia

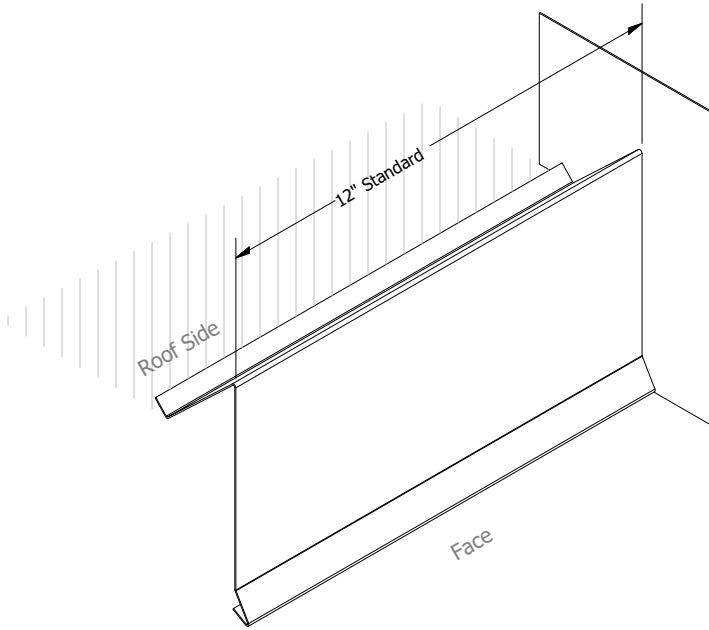
Accessory Type

- Pre-Finished, Fabricated and Sealed
- Welded and Post-Finished *050 & 063 Alum only

Materials:

- 24 Ga Steel
- 22 Ga Steel
- 0.040 Aluminum
- 0.050 Aluminum
- 0.063 Aluminum
- Other: _____
- Color: _____
- Finish: _____

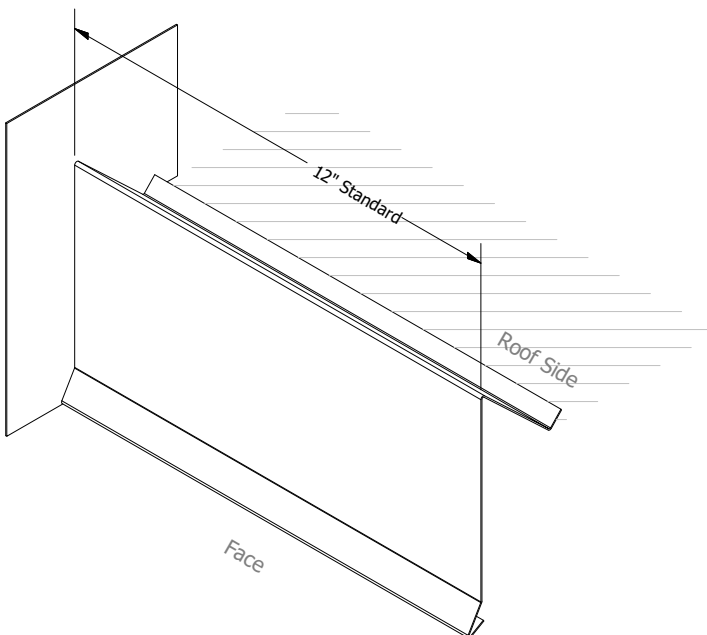
RIGHT END TERM QTY: _____



Additional Notes:

Front Face Dimension(C): _____
*see product spec sheet for standard sizes

LEFT END TERM QTY: _____



Additional Notes:

Front Face Dimension(C): _____
*see product spec sheet for standard sizes