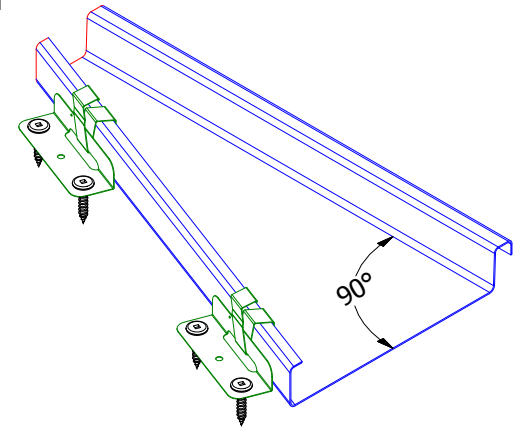
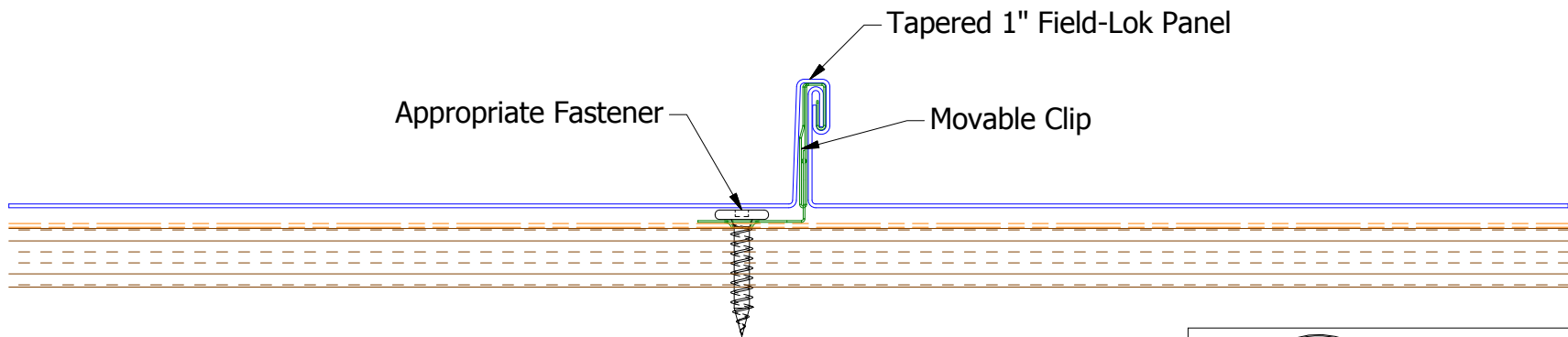
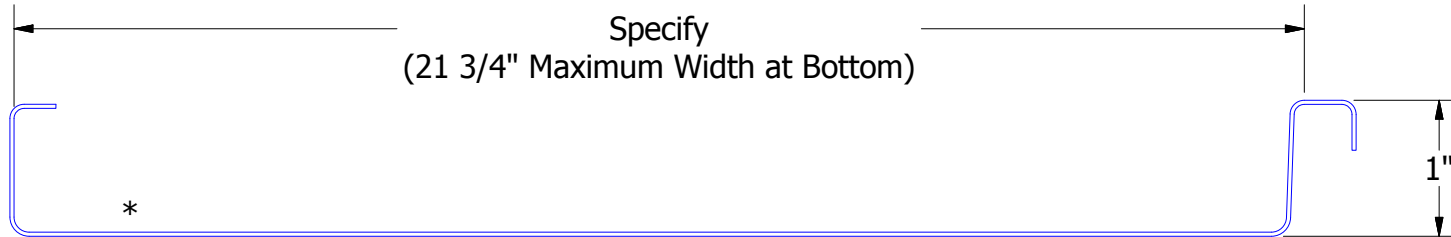


1 1/2" Minimum Width at Top of Panel  
for Right to Left Installation



**Note:** Panel is Standard Right to Left Installation.  
Left to Right Installation: Top Dimension must be no less than 6" of Bottom Dimension.  
**Contact ATAS with Job Specific Dimensions before placing Order.**



ATAS INTERNATIONAL, INC  
Allentown PA  
610-395-8445  
Mesa AZ  
480-558-7210

TITLE FLL Tapered Panel Profile Detail

DWG. NO.	DR	CRK	DATE	10/23/2018
MATERIAL	APP	JPB	DATE	10/9/2019
	SH. SIZE	A	SCALE	X:X

REV. NO.	DATE	DESCRIPTION OF REVISION	BY	APP

**Note:** \* denotes color side.