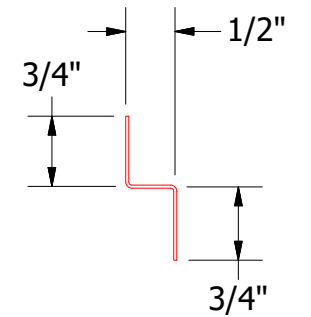
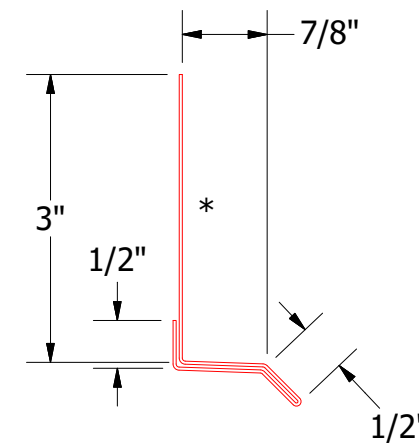
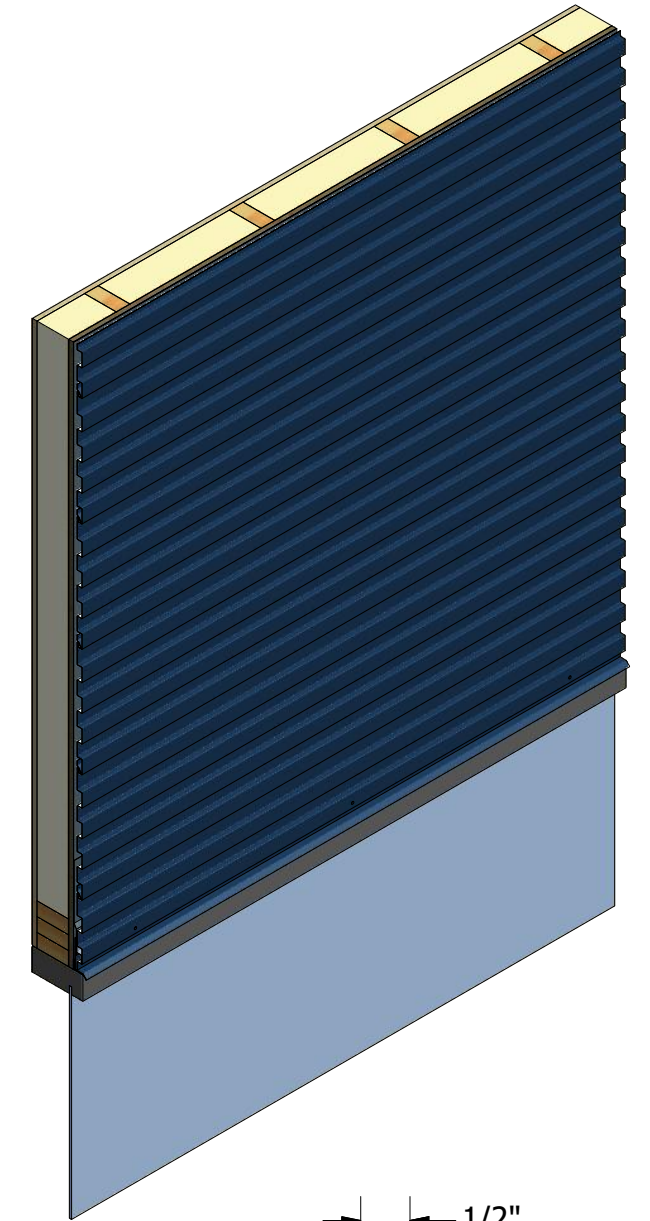
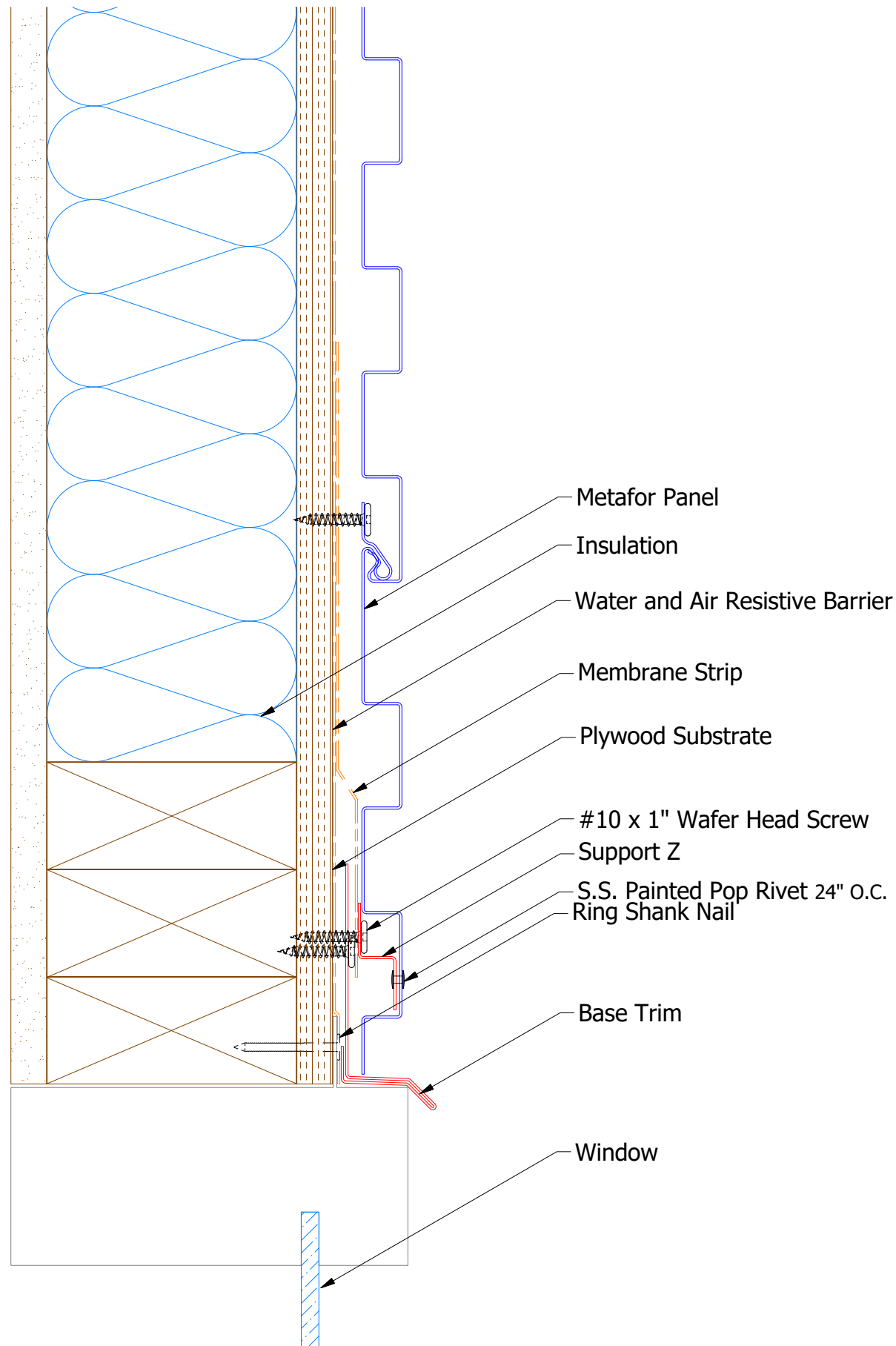


# Horizontal Panel



Note: \* denotes color side.

**ATAS** ATAS INTERNATIONAL, INC  
 Allentown PA  
 610-395-8445  
 Mesa AZ  
 480-558-7210

TITLE **Metafor Head Window Flange Detail**

REV. NO.	DATE	DESCRIPTION OF REVISION	BY	APP	DWG. NO.	DR	DATE
						MBP	8/3/2018
					MATERIAL	APP	DATE
					SH. SIZE	B	SCALE
							X:X