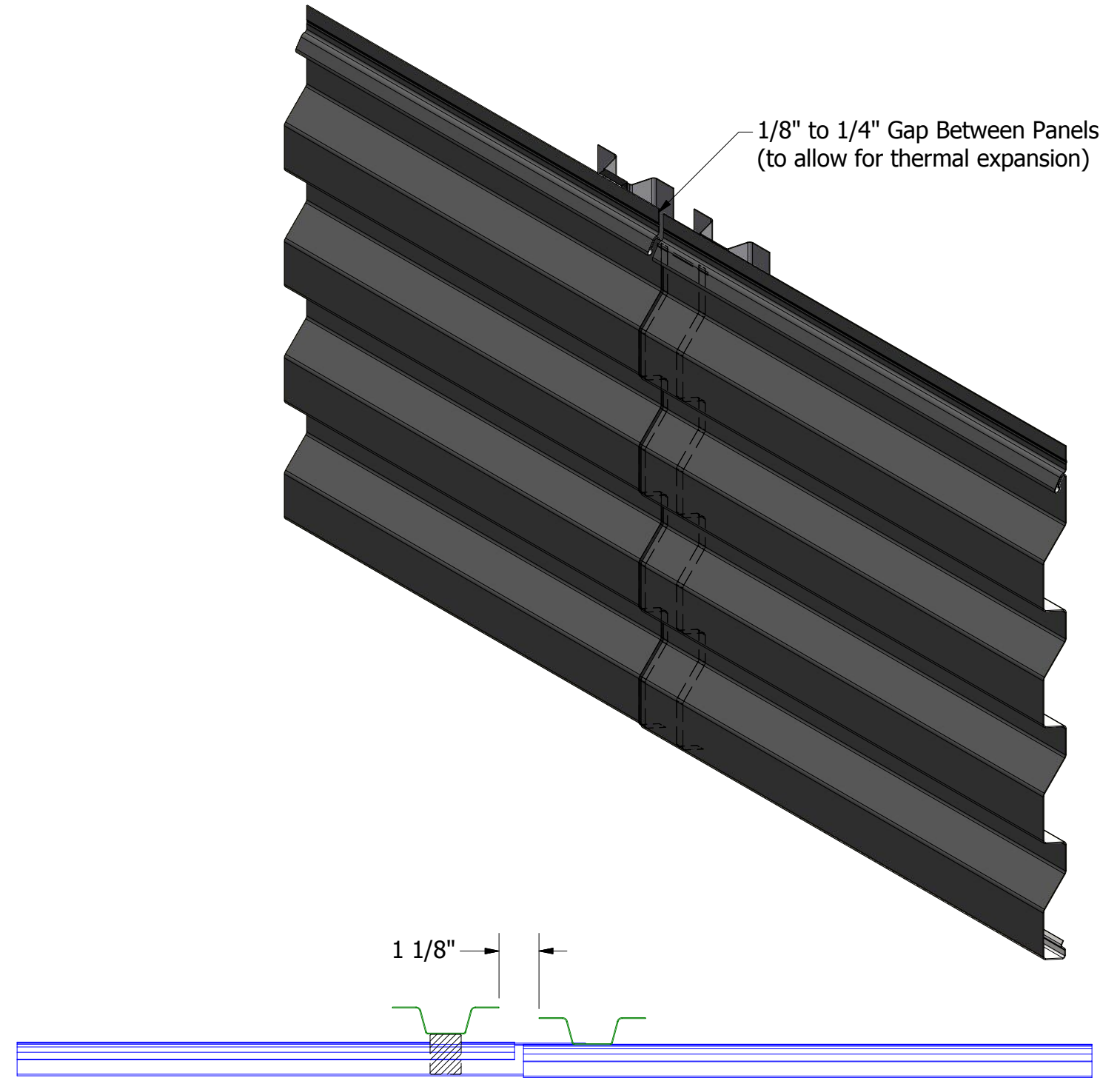
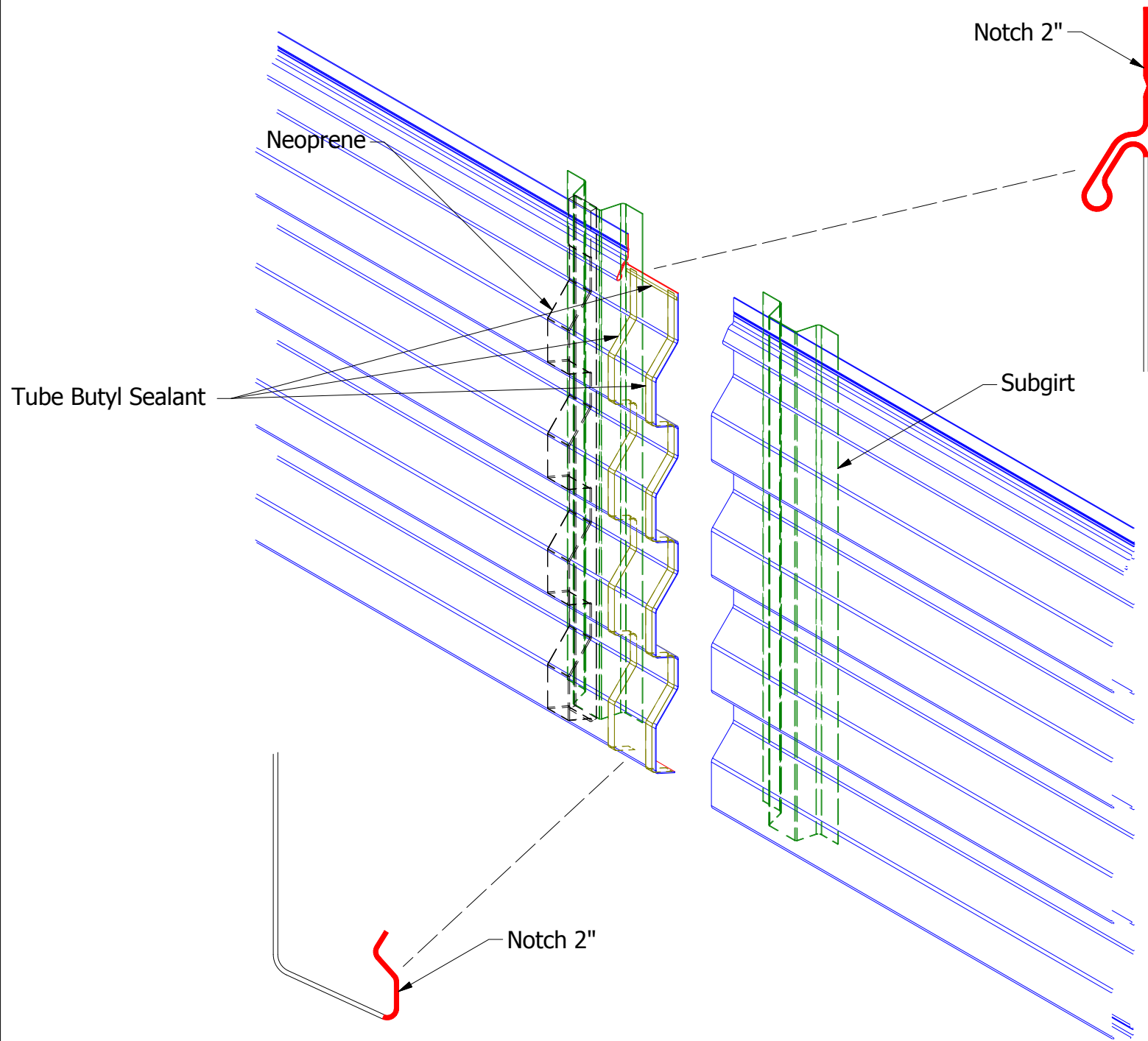


Factory Pre-Notched Left to Right

(Direction of Panel is Required)



Note: It is advisable to lap panels randomly throughout elevation to minimize continuous sight lines.

ATAS ATAS INTERNATIONAL, INC
 Allentown PA
 610-395-8445
 Mesa AZ
 480-558-7210

TITLE Rigid Wall II Panel Lap Detail

REV. NO.	DATE	DESCRIPTION OF REVISION	BY	APP	DWG. NO.	DR	DATE
						KRK	1/26/2015
					MATERIAL	APP	DATE
					SH. SIZE	B	SCALE X:X