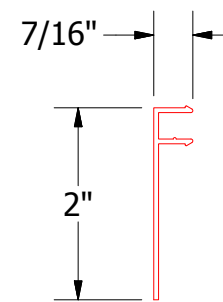
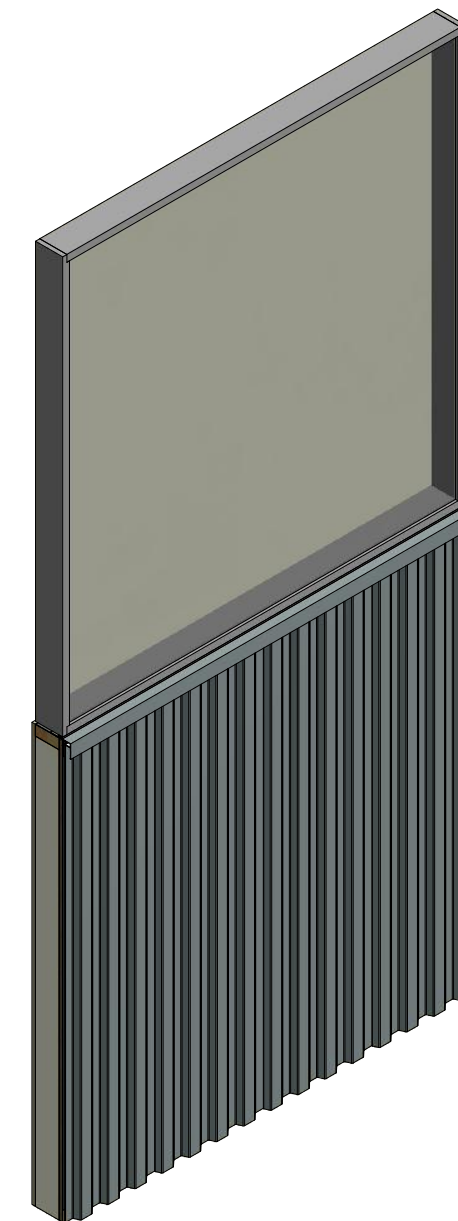
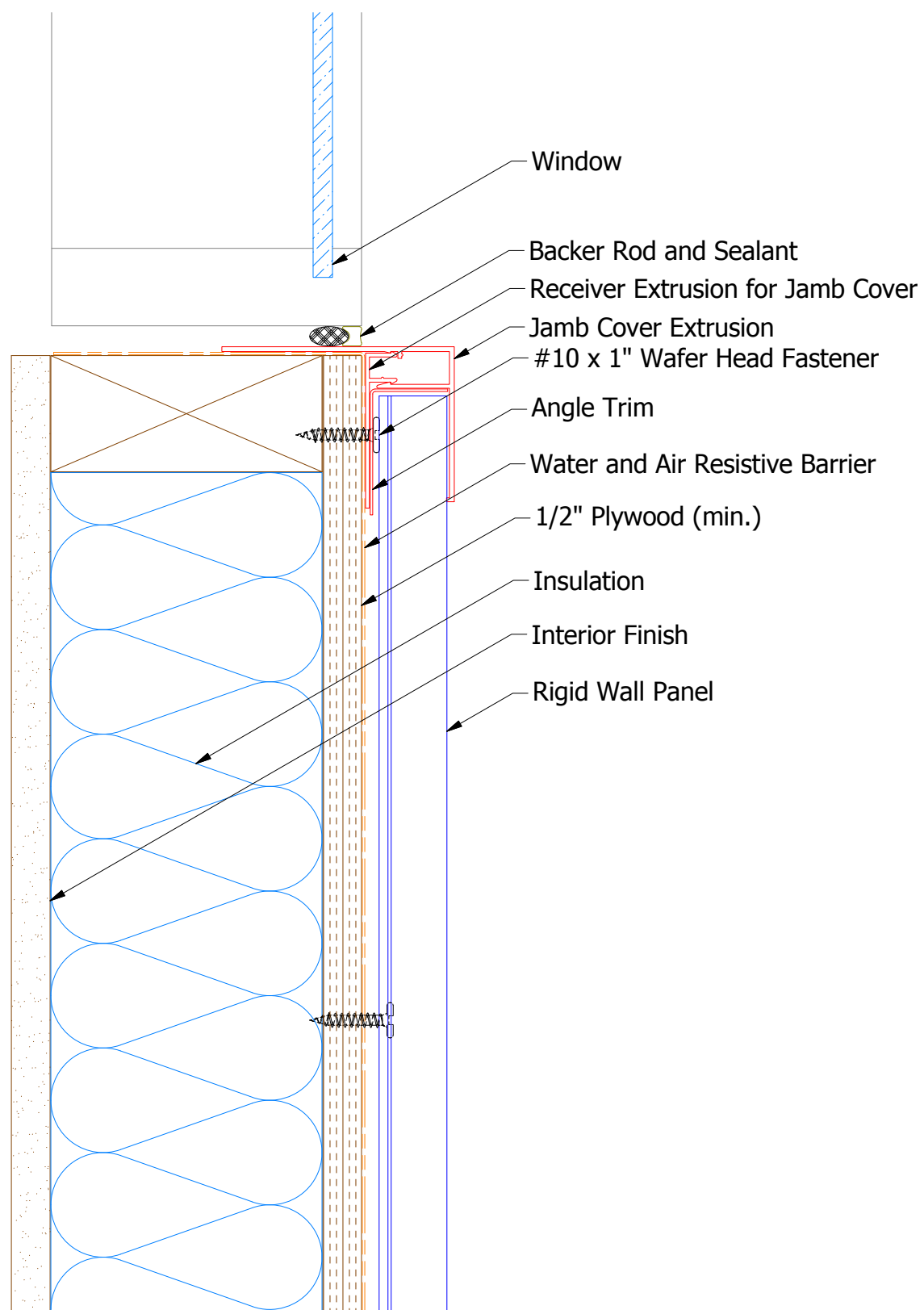
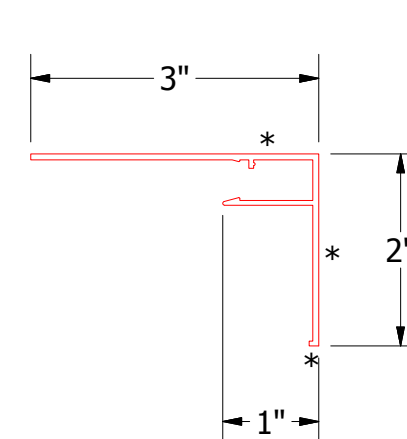


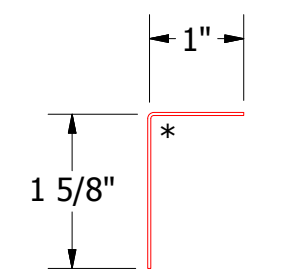
Vertical Panel



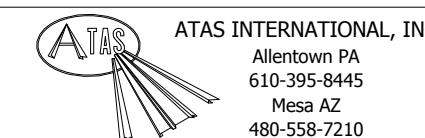
Receiver Extrusion for Jamb Cover



Jamb Cover Extrusion



Angle Trim



TITLE			
Window Sill Extruded Detail			
DWG. NO.	DR	DATE	APP
01	KRK	4/22/2015	
REV. NO.	DATE	DESCRIPTION OF REVISION	BY
			APP
MATERIAL		SH. SIZE	SCALE
		B	X:X