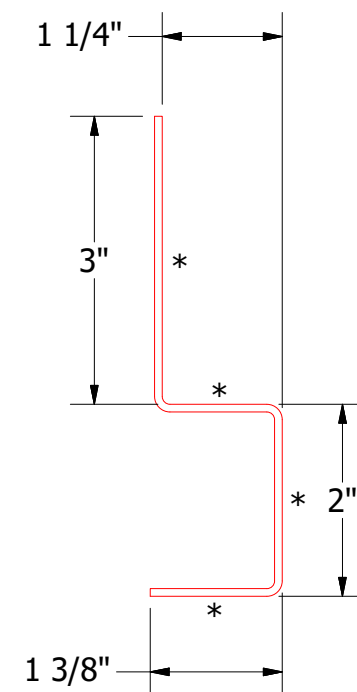
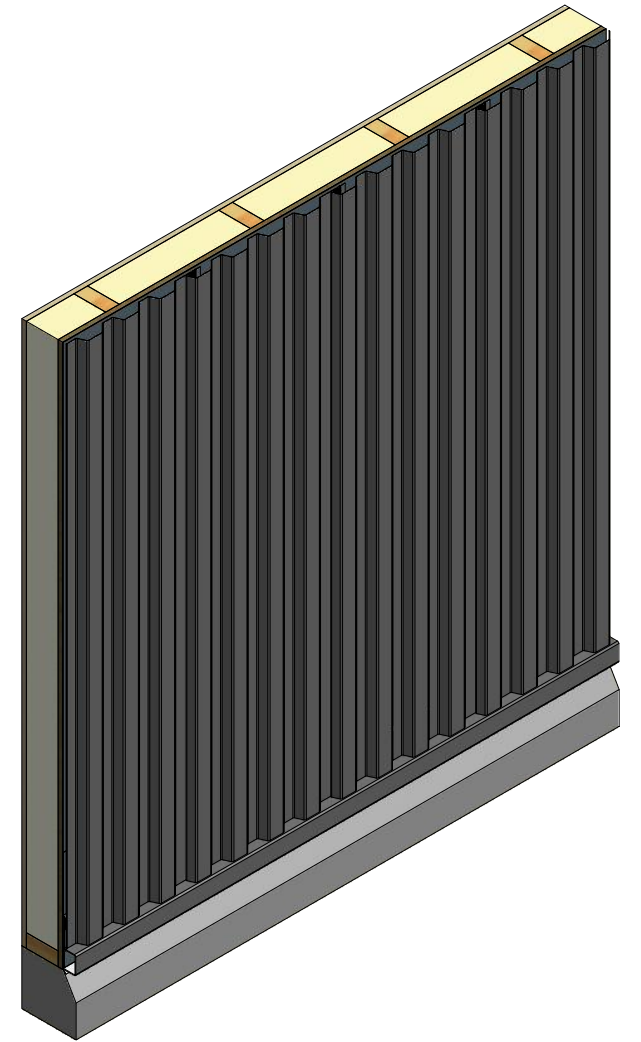
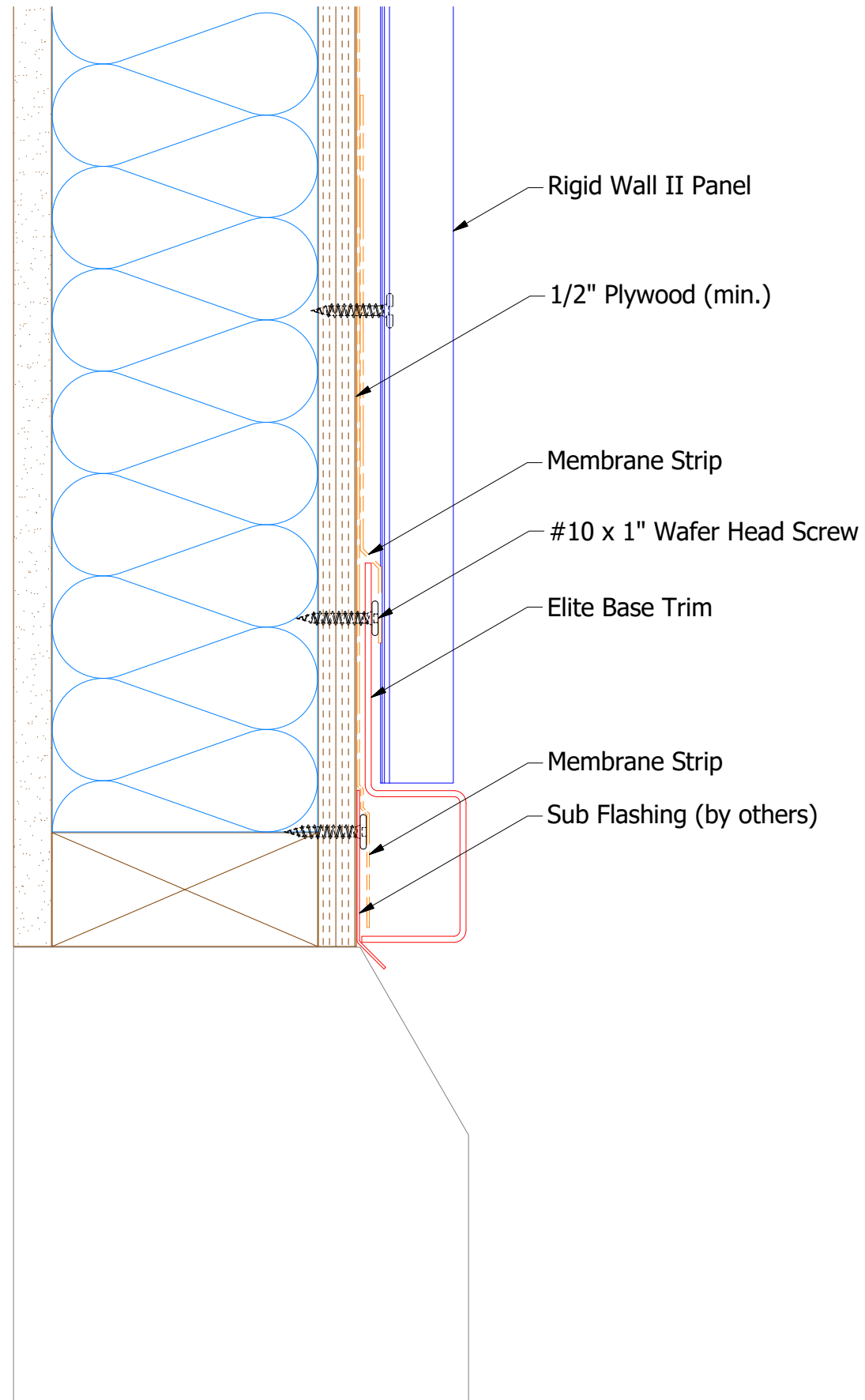


# Vertical Panel



Elite Base Trim

**Note:** \* denotes color side.

 <b>ATAS INTERNATIONAL, INC</b> Allentown PA 610-395-8445 Mesa AZ 480-558-7210		<b>TITLE</b> Rigid Wall II Elite Base Detail	
		DWG. NO. DR DMR APP	DATE 1/25/2019 DATE
REV. NO. 01	DATE 5/8/2020	DESCRIPTION OF REVISION Updated Extruded Base Trim to Elite Base Trim	BY APP KRK
		SH. SIZE B	SCALE X:X

REV. NO.	DATE	DESCRIPTION OF REVISION	BY	APP
01	5/8/2020	Updated Extruded Base Trim to Elite Base Trim	KRK	