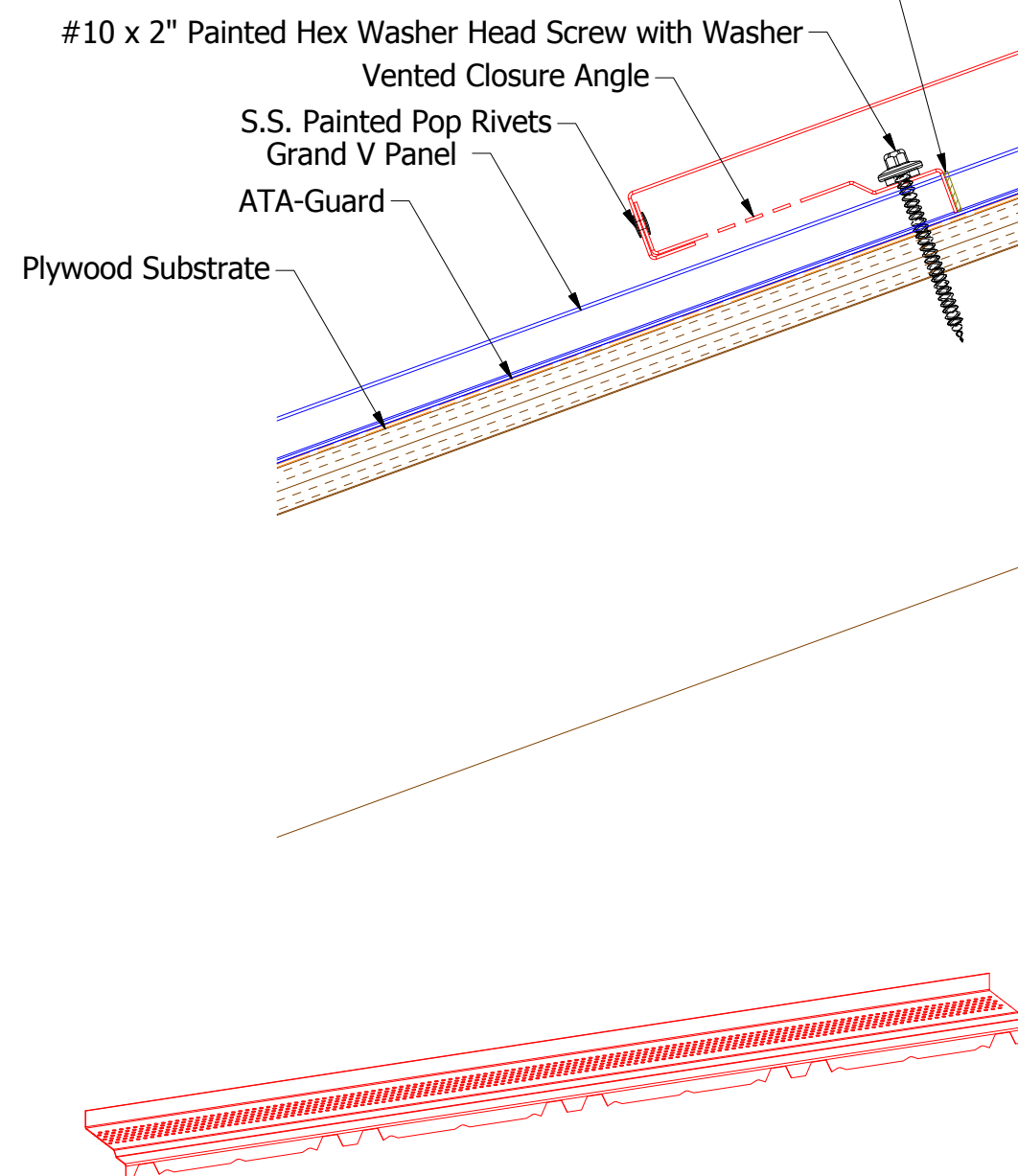
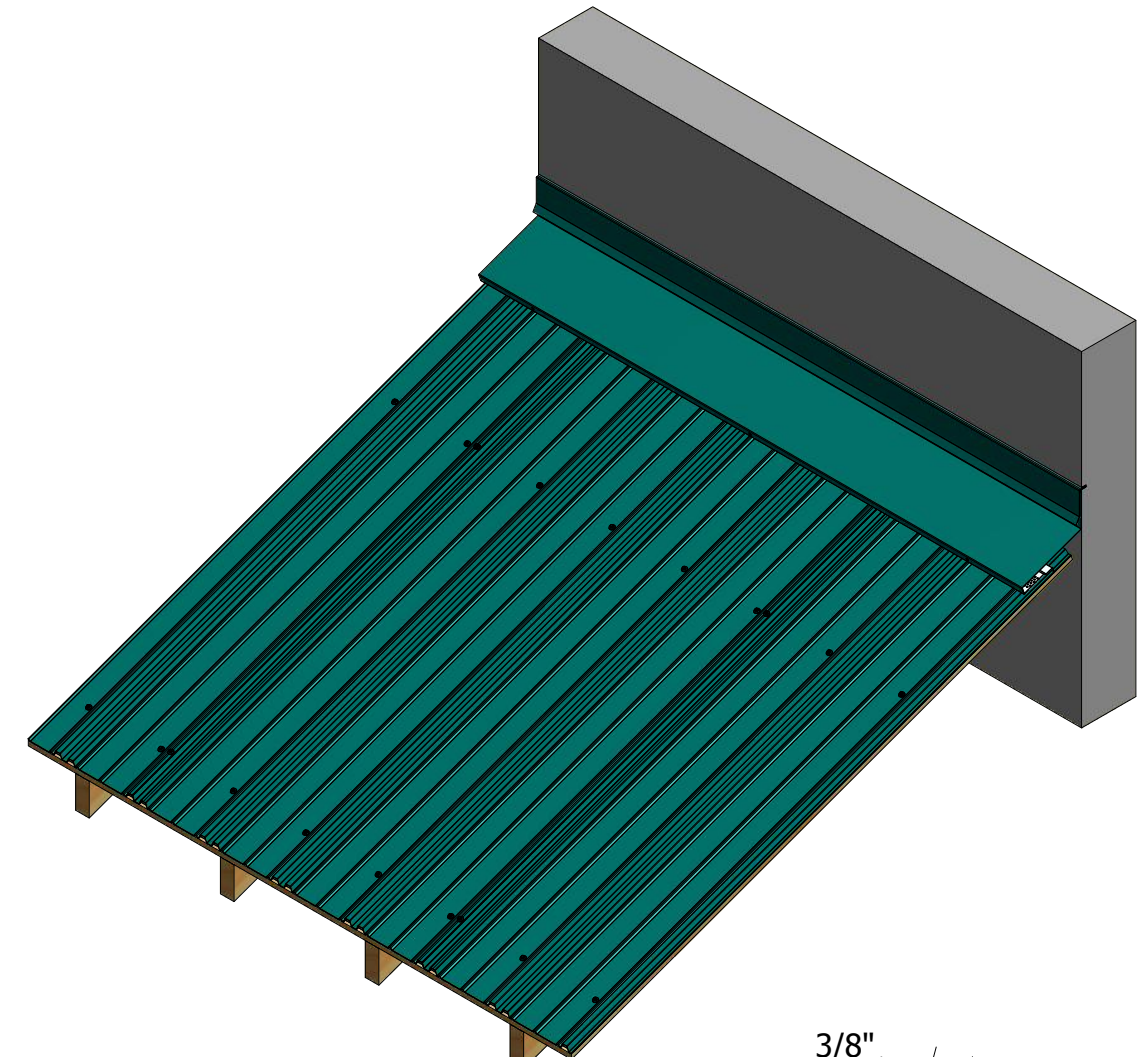
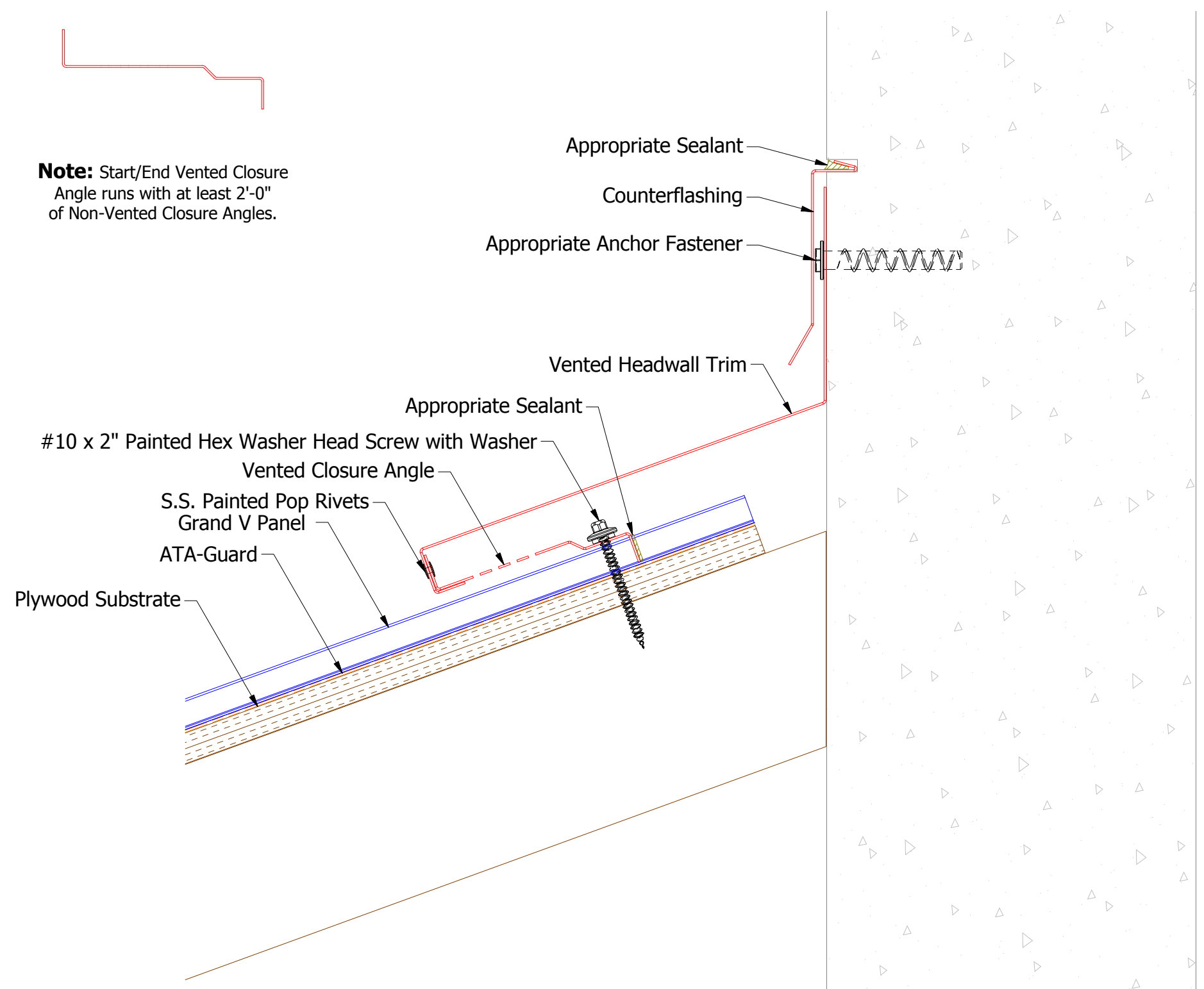
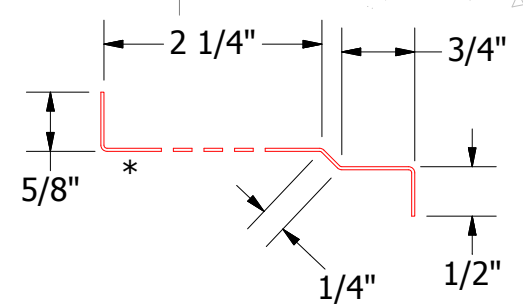


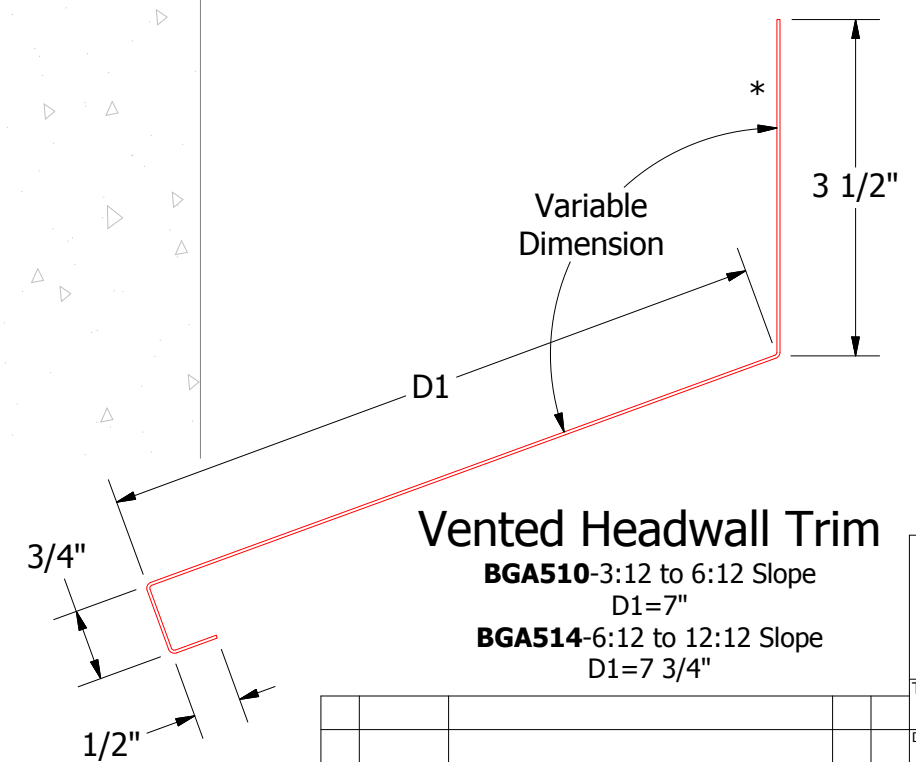
**Note:** Start/End Vented Closure Angle runs with at least 2'-0" of Non-Vented Closure Angles.



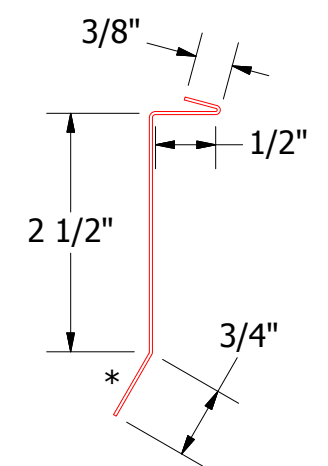
**BGA912-Vented Closure Angle**



**BGA980-Counterflashing**



**Vented Headwall Trim**  
**BGA510-3:12 to 6:12 Slope**  
 D1=7"  
**BGA514-6:12 to 12:12 Slope**  
 D1=7 3/4"



**BGA980-Counterflashing**

REV. NO.	DATE	DESCRIPTION OF REVISION	BY	APP
01	3/13/2019	Updated Vented Closure Angle from Louvers to Perforations	KRK	

**ATAS** ATAS INTERNATIONAL, INC  
 Allentown PA  
 610-395-8445  
 Mesa AZ  
 480-558-7210

TITLE **Grand V Vented Headwall Detail**

DWG. NO.	DR	DATE
	KRK	1/4/2017
MATERIAL	APP	DATE
SH. SIZE	B	SCALE
		X:X