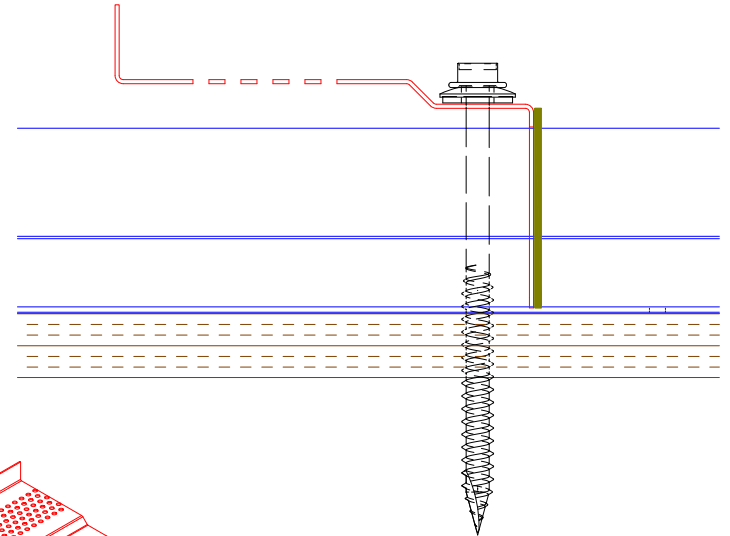
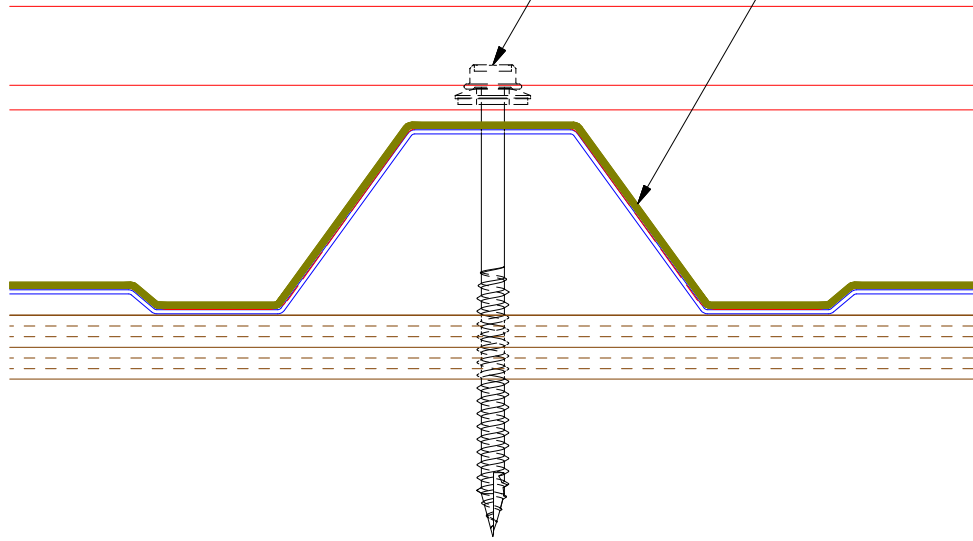
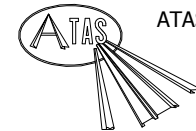
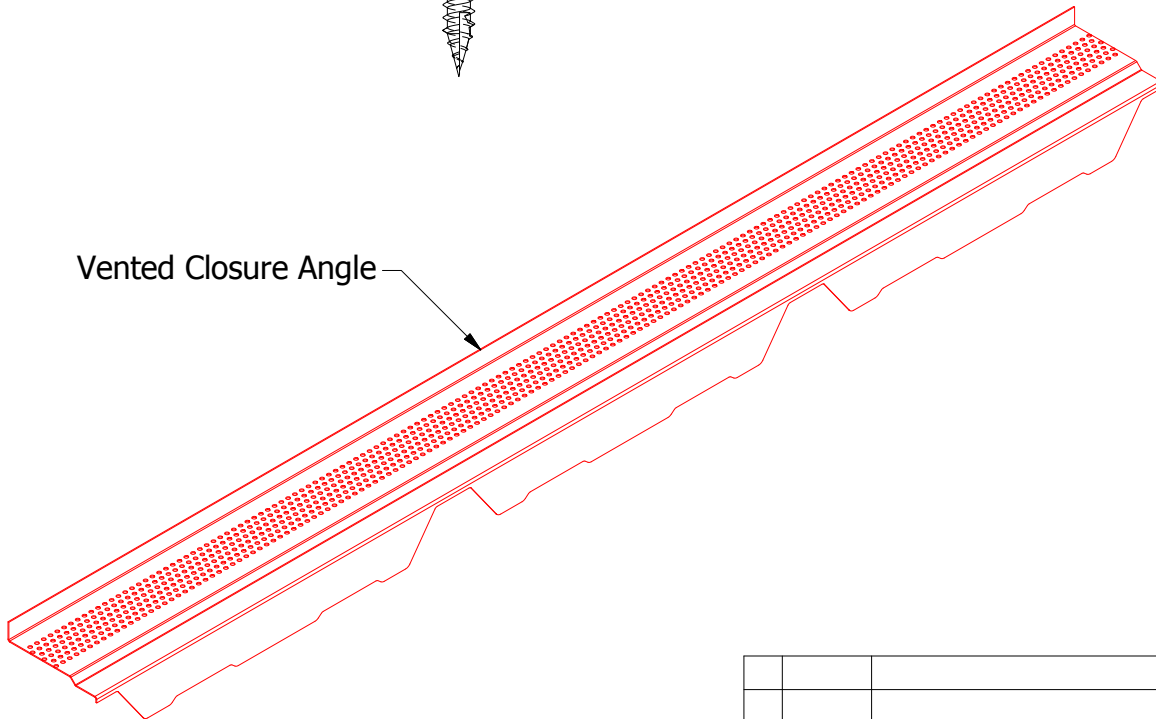


Secure Fastener to Vented Closure Angle at the top of Panel Rib

Use Appropriate Sealant where Vented Closure Angle comes into contact with Metal Panel



Vented Closure Angle



ATAS INTERNATIONAL, INC
 Allentown PA
 610-395-8445
 Mesa AZ
 480-558-7210

TITLE
Grand R Vented Closure Installation Detail

| | | | | | | | |
|----------|------|-------------------------|----|-----|----------|---------------|-------------------|
| REV. NO. | DATE | DESCRIPTION OF REVISION | BY | APP | DWG. NO. | DR DMR | DATE 3/15/2019 |
| | | | | | MATERIAL | APP | DATE |
| | | | | | | SH. SIZE A | SCALE X:X |