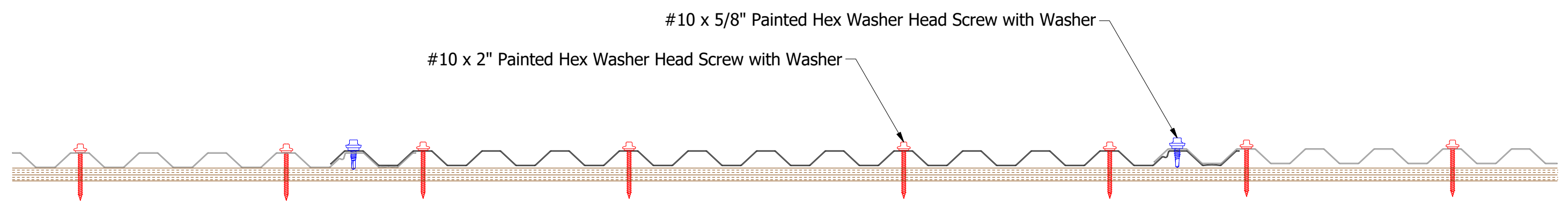


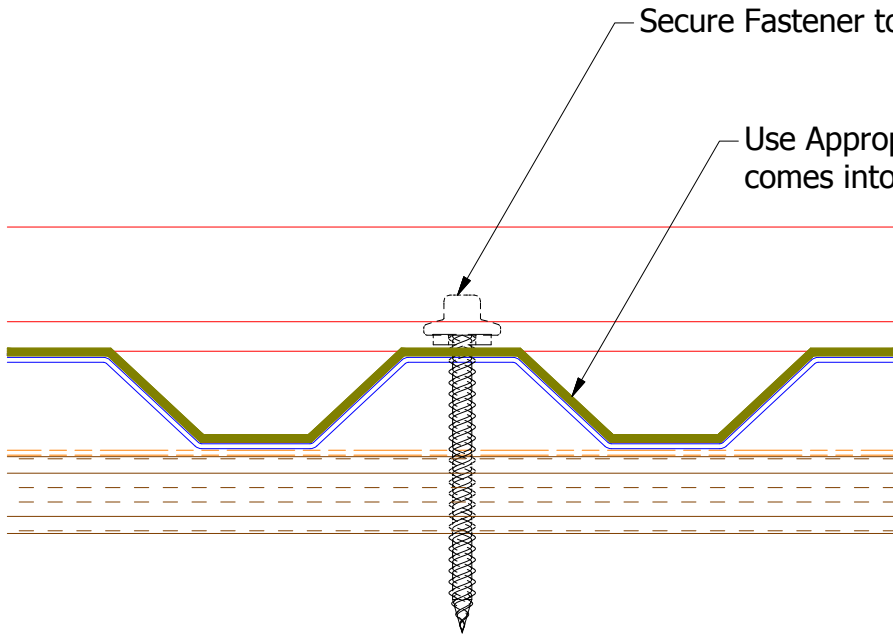
BWF324 - Grand C Panel



ATAS INTERNATIONAL, INC
 Allentown PA
 610-395-8445
 Mesa AZ
 480-558-7210

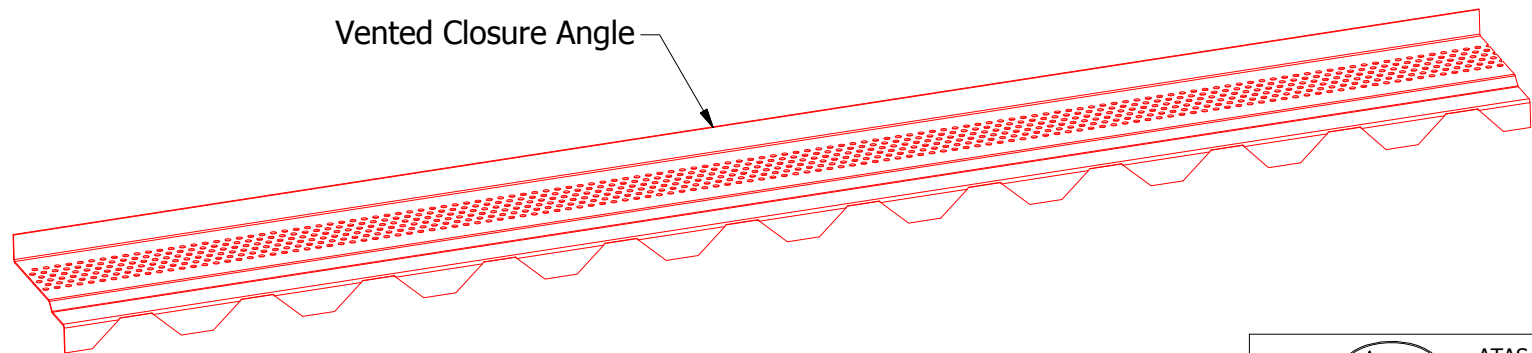
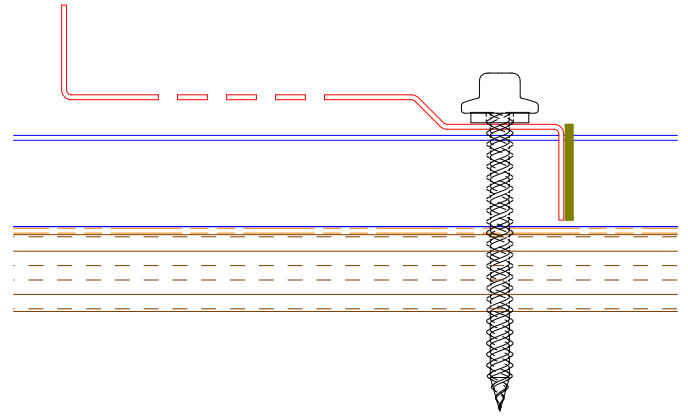
TITLE **Grand C Panel Profile Detail**

01	3/13/2019	Updated Fastener Spacing	KRK	DR	KRK	DATE	1/22/2016
REV. NO.	DATE	DESCRIPTION OF REVISION	BY	APP	MATERIAL	SH. SIZE	SCALE
						B	X:X

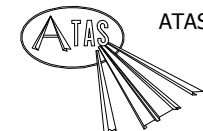


Secure Fastener to Vented Closure Angle at top of Panel Rib

Use Appropriate Sealant where Vented Closure Angle comes into contact with Metal Panel



Vented Closure Angle

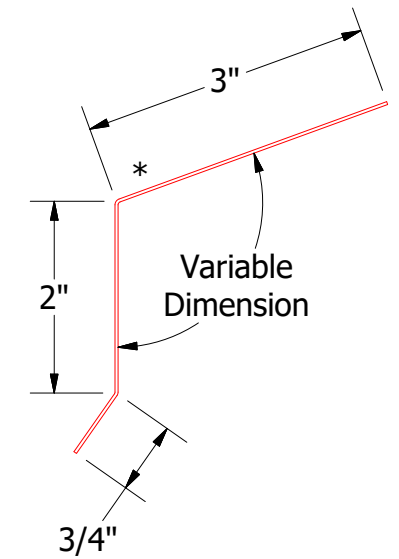
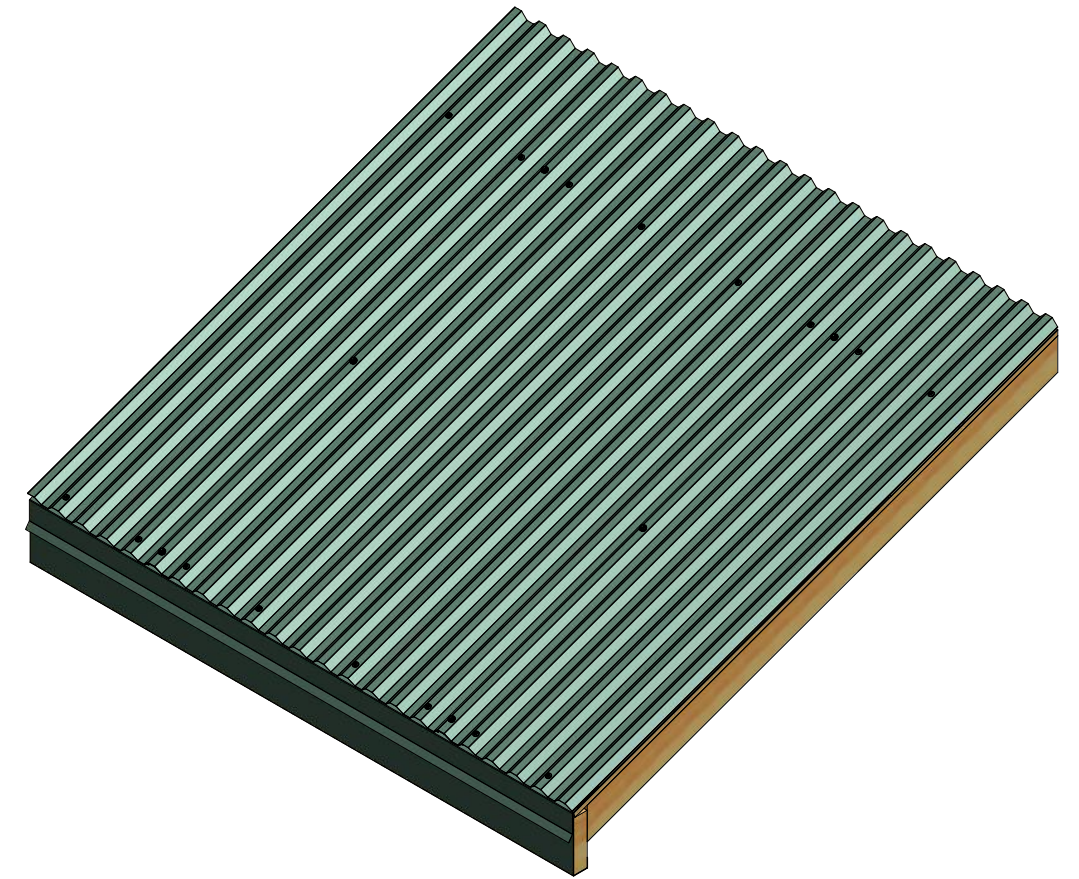
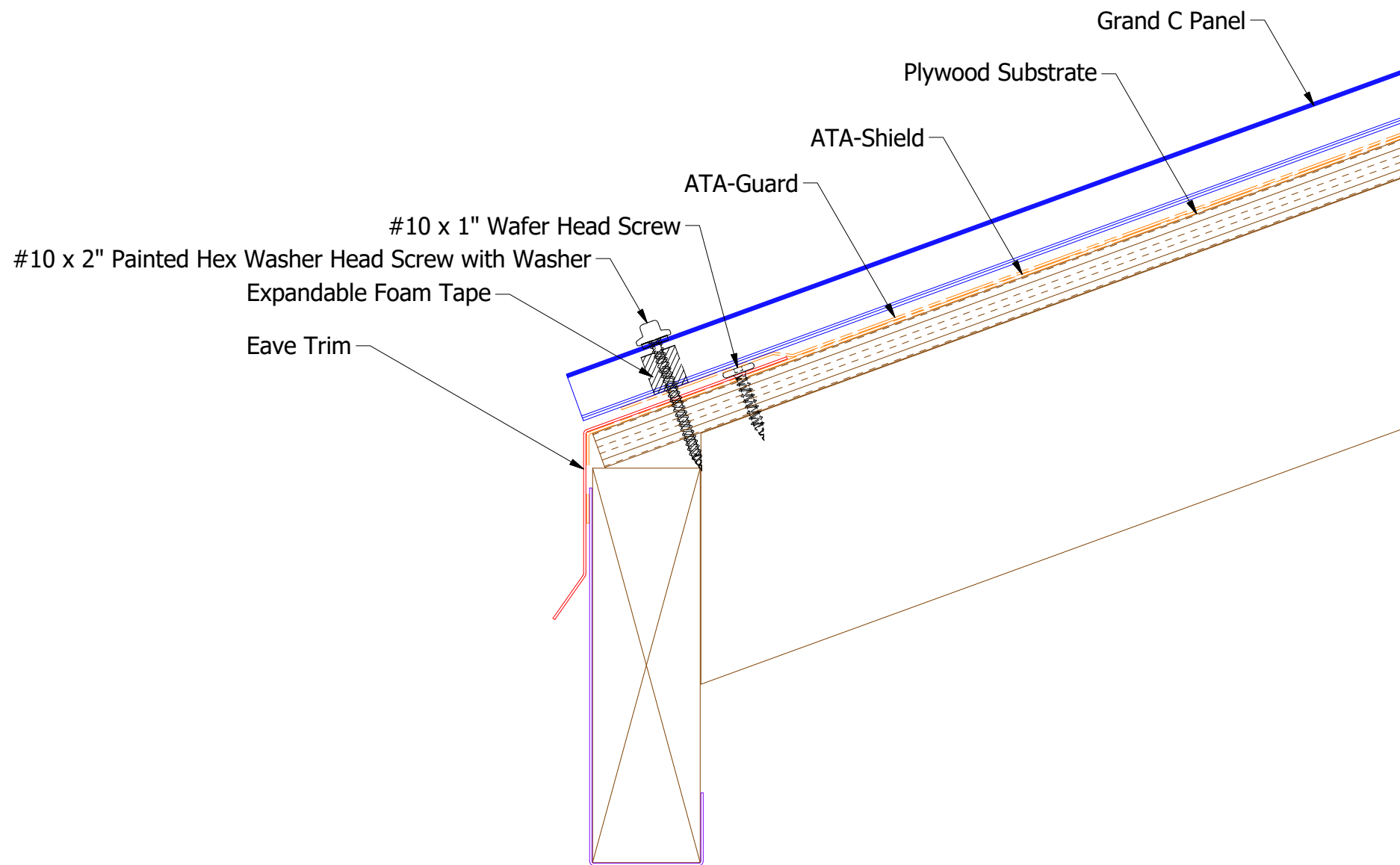


ATAS INTERNATIONAL, INC
 Allentown PA
 610-395-8445
 Mesa AZ
 480-558-7210

TITLE
Grand C Vented Closure Installation Detail

REV. NO.	DATE	DESCRIPTION OF REVISION	BY	APP

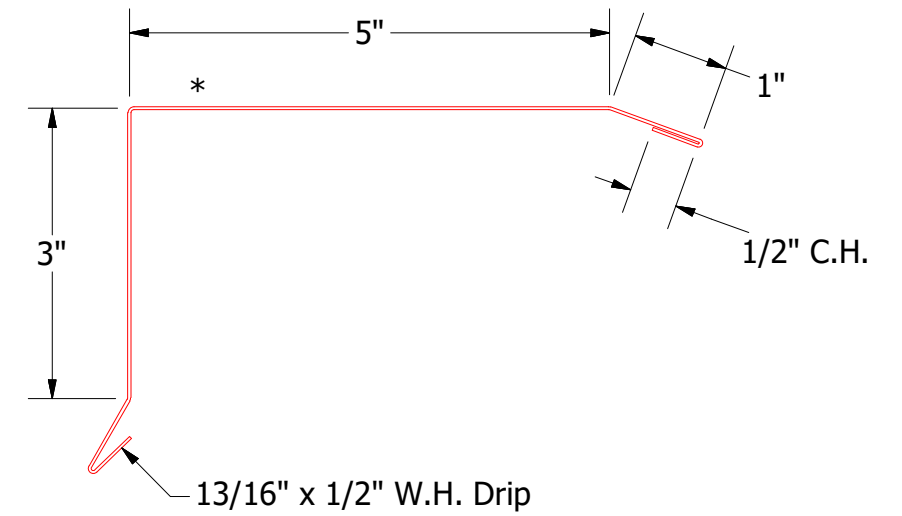
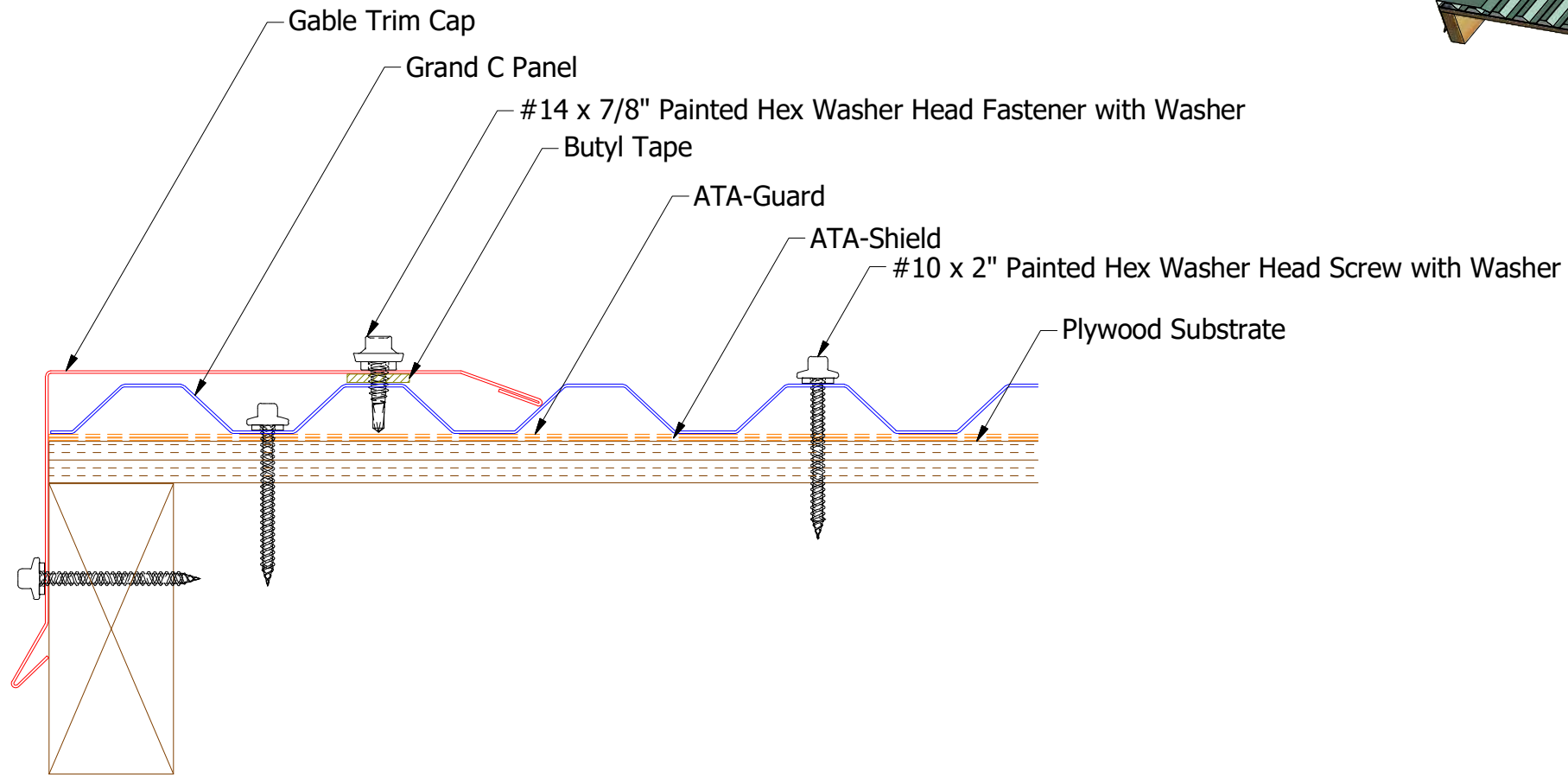
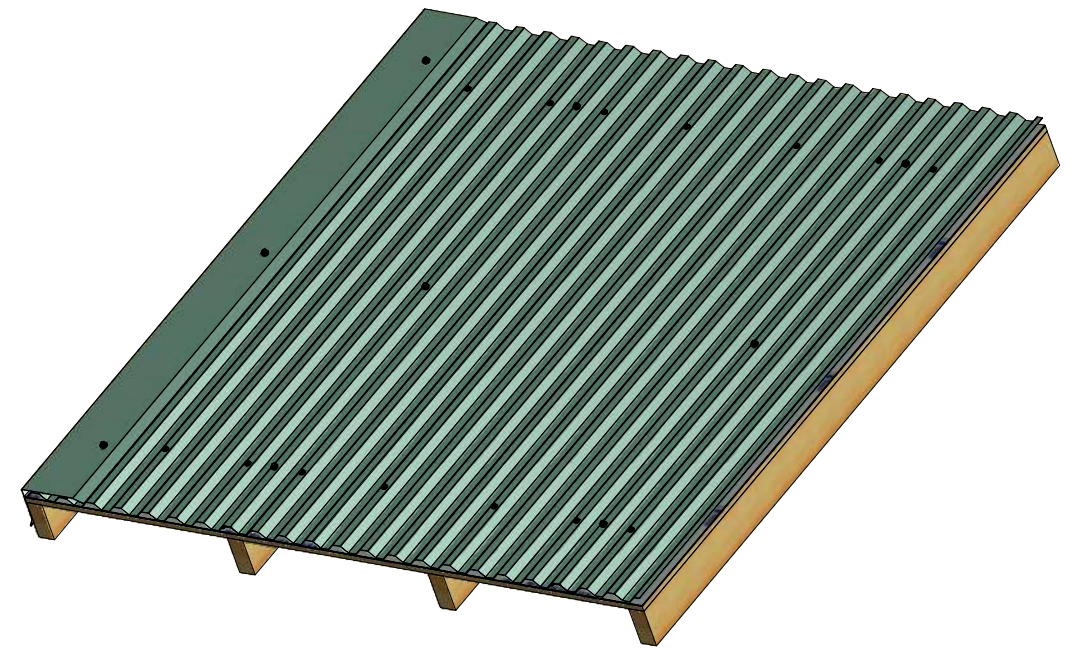
DWG. NO.	DR	DATE
	KRK	3/7/2019
MATERIAL	APP	DATE
SH. SIZE	A	SCALE
		X:X



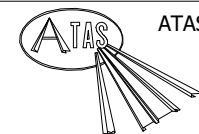
BGA115-Eave Trim

ATAS ATAS INTERNATIONAL, INC
 Allentown PA
 610-395-8445
 Mesa AZ
 480-558-7210

TITLE				Grand C Eave Detail			
DWG. NO.				DR		DATE	
				KRK		1/22/2016	
REV. NO.				APP		DATE	
01				DAS		12/14/2016	
DATE				SH. SIZE		SCALE	
3/6/2019				B		X:X	
DESCRIPTION OF REVISION				BY		APP	
Updated Eave Trim				KRK			

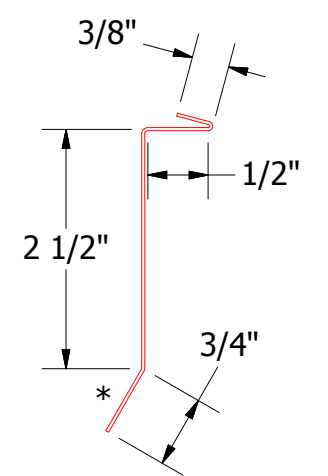
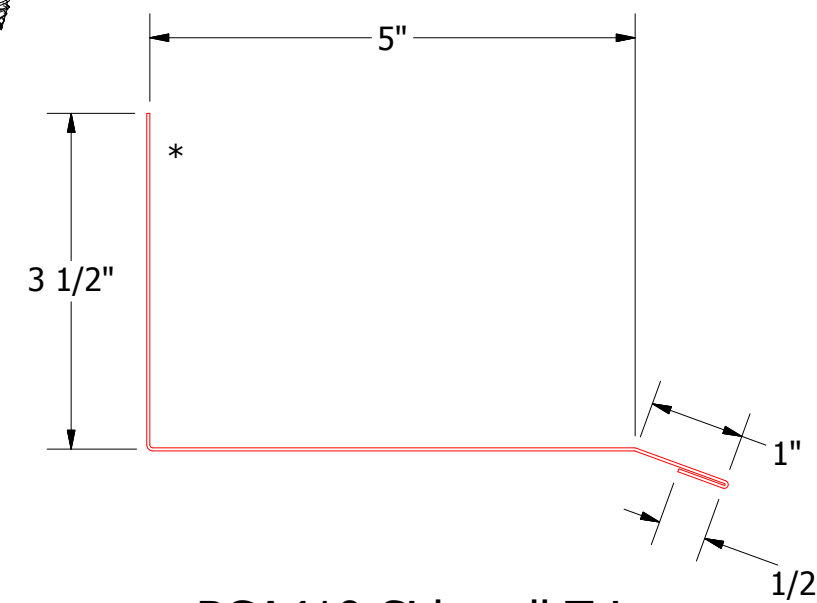
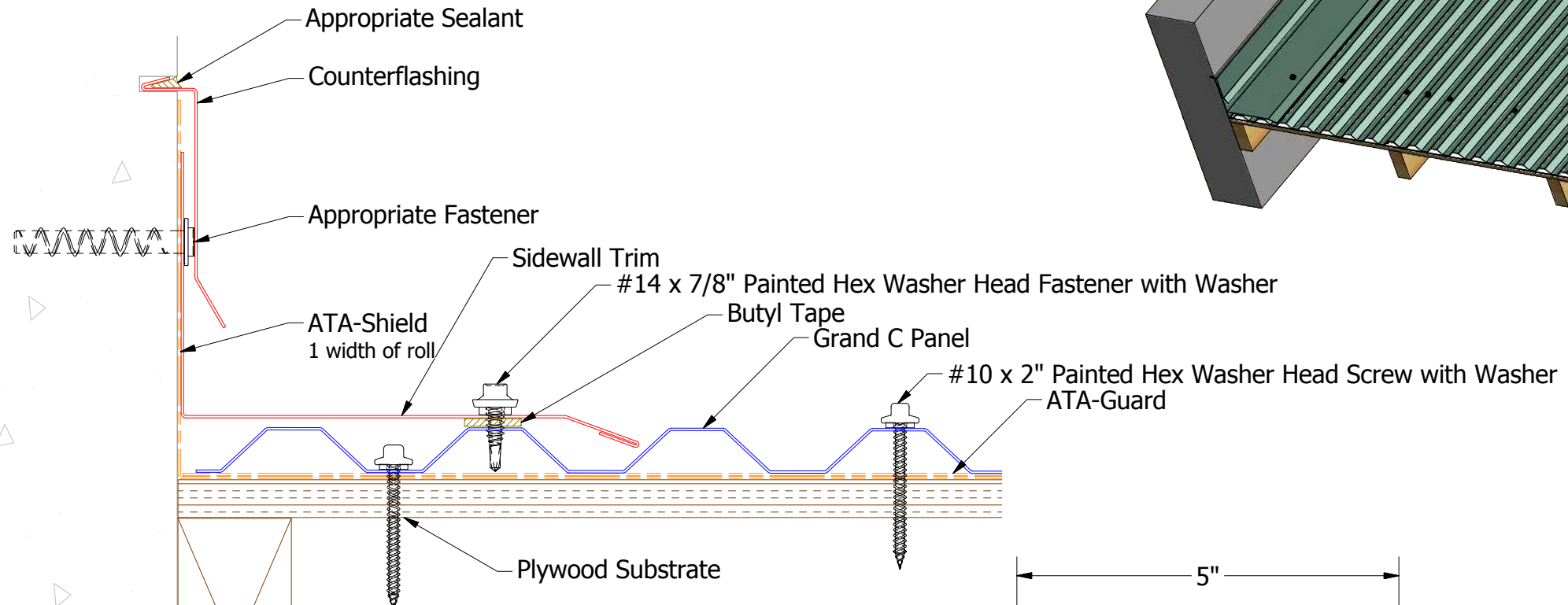
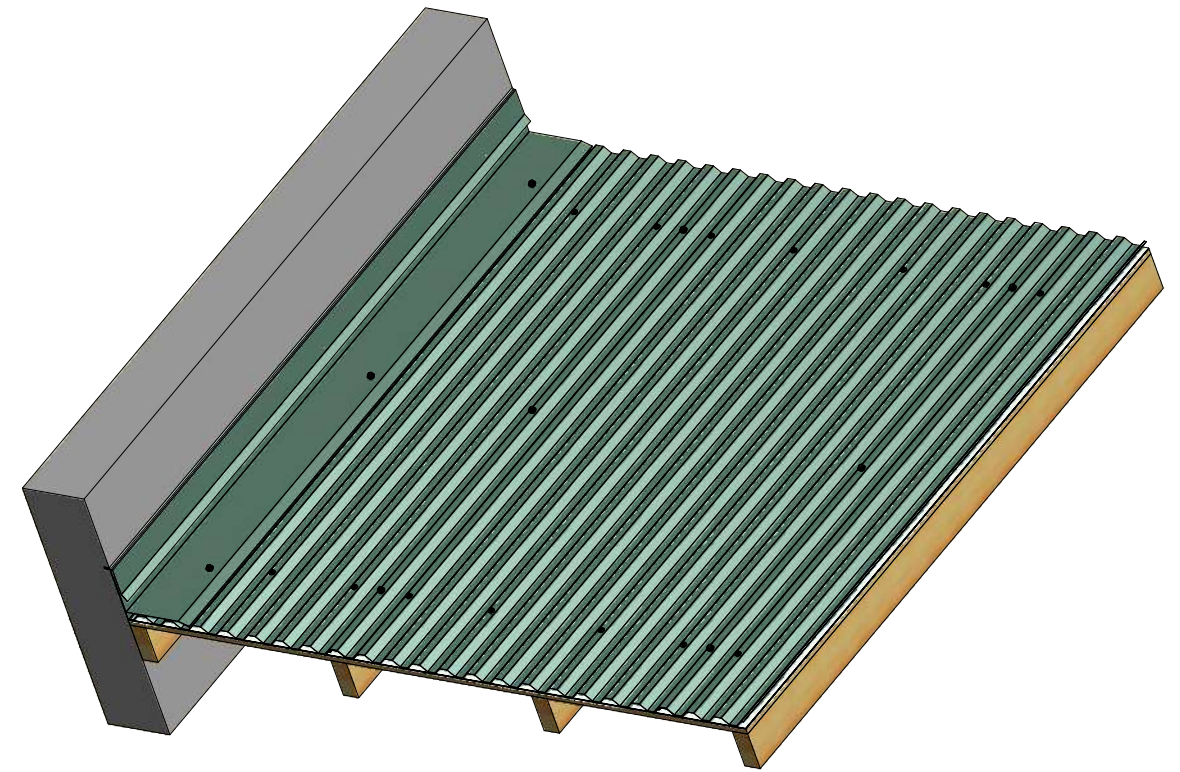


BGA277-Gable Cap - with Angle



ATAS INTERNATIONAL, INC
 Allentown PA
 610-395-8445
 Mesa AZ
 480-558-7210

				TITLE		Grand C Gable Detail	
				DWG. NO.		DR KRK DATE 1/22/2016	
				MATERIAL		APP DAS DATE 12/14/2016	
				BY APP		SH. SIZE B SCALE X:X	
01	3/6/2019	Updated Gable Trim to Gable Trim with Angle	KRK				
REV. NO.	DATE	DESCRIPTION OF REVISION	BY	APP			

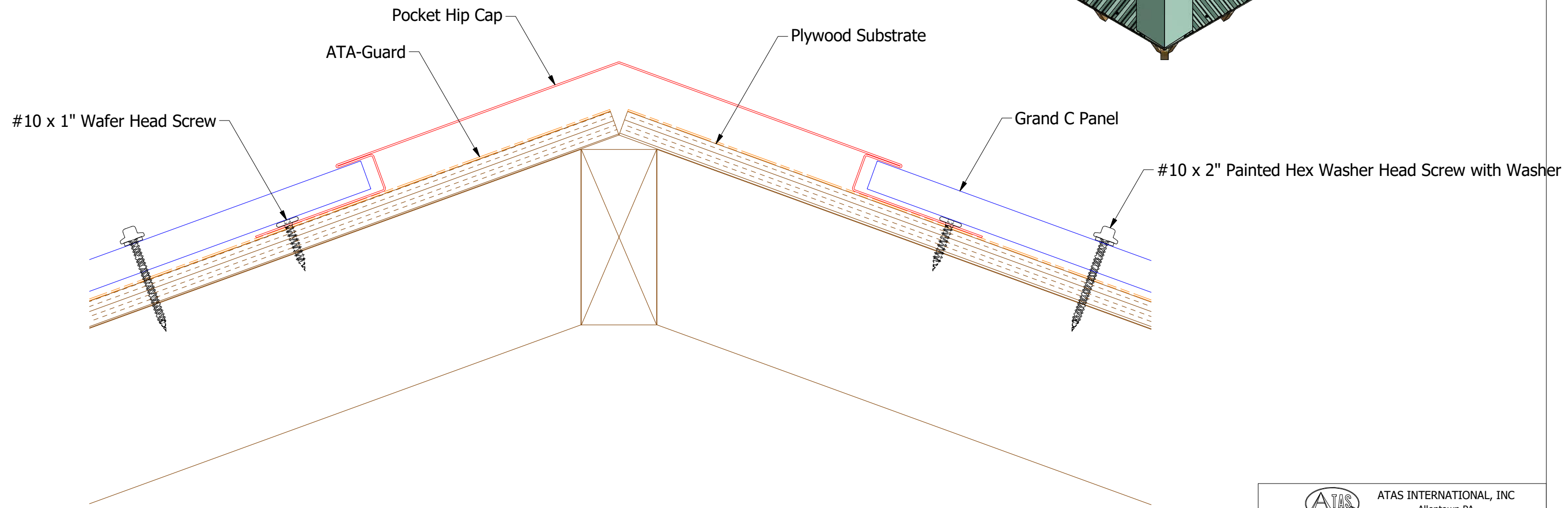
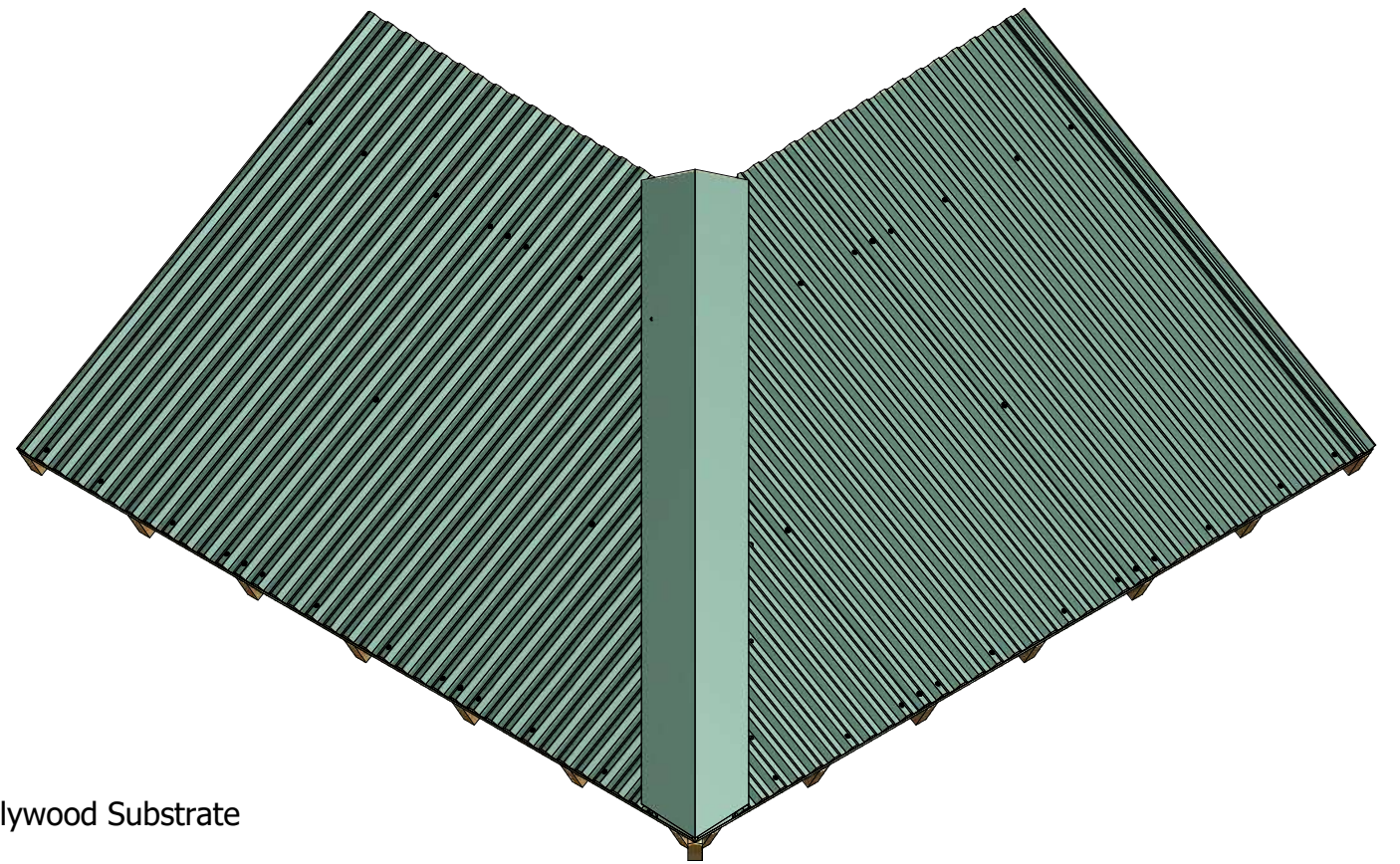
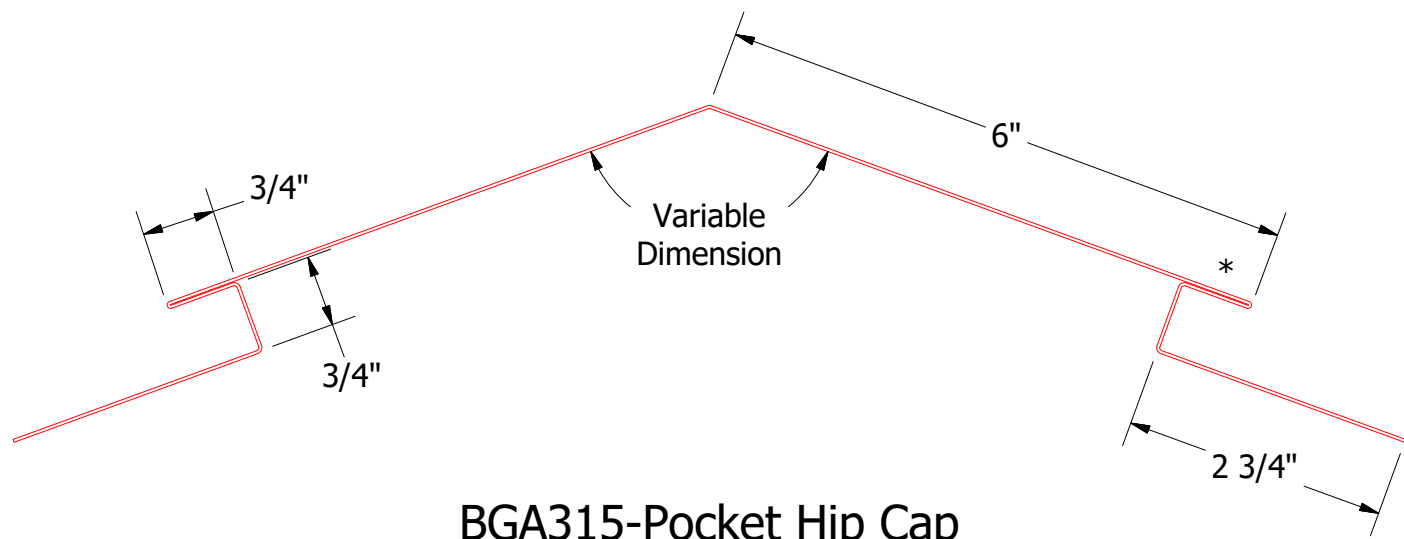


BGA980-Counterflashing

BGA410-Sidewall Trim

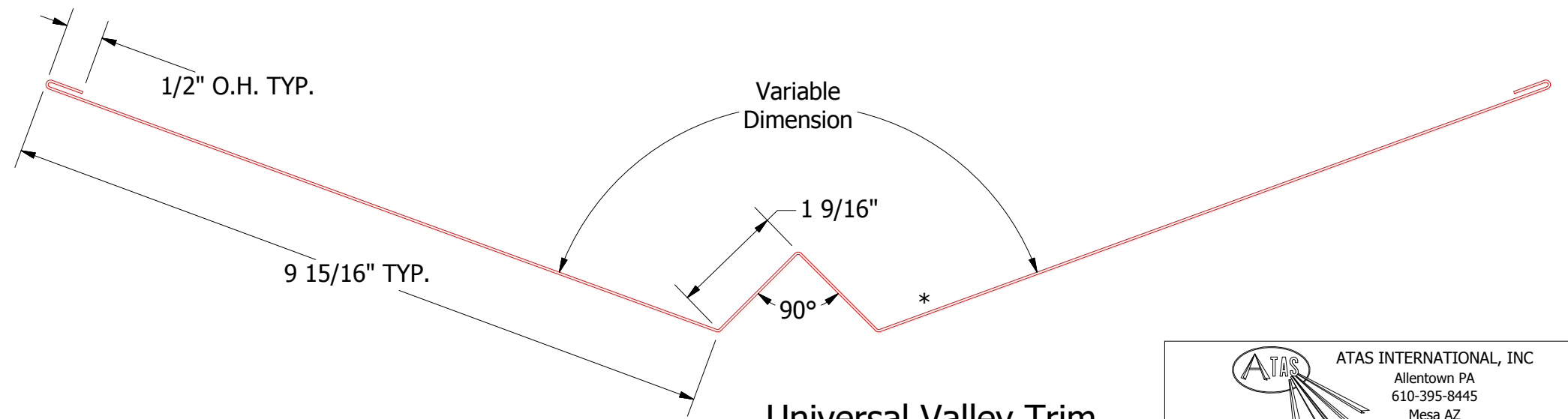
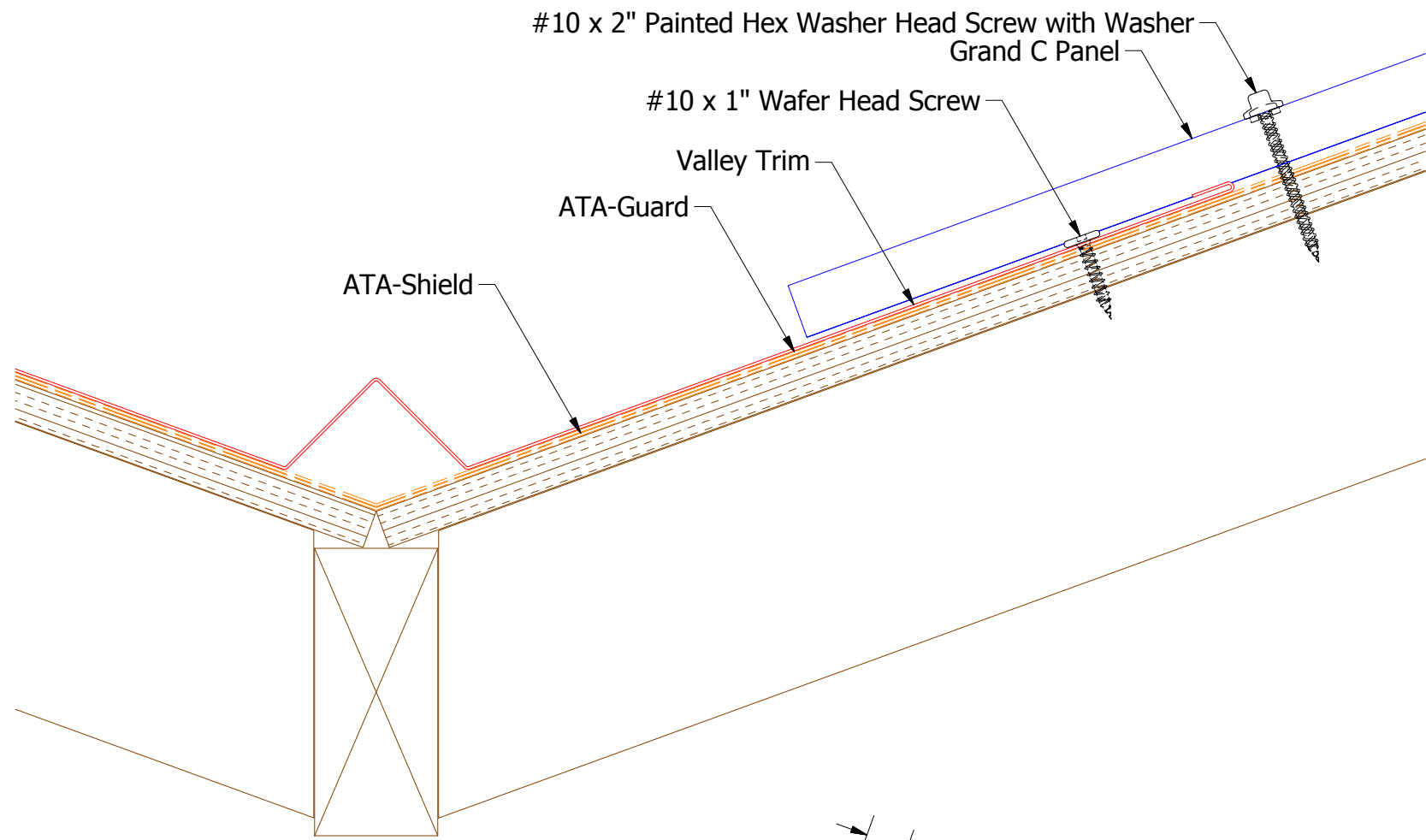
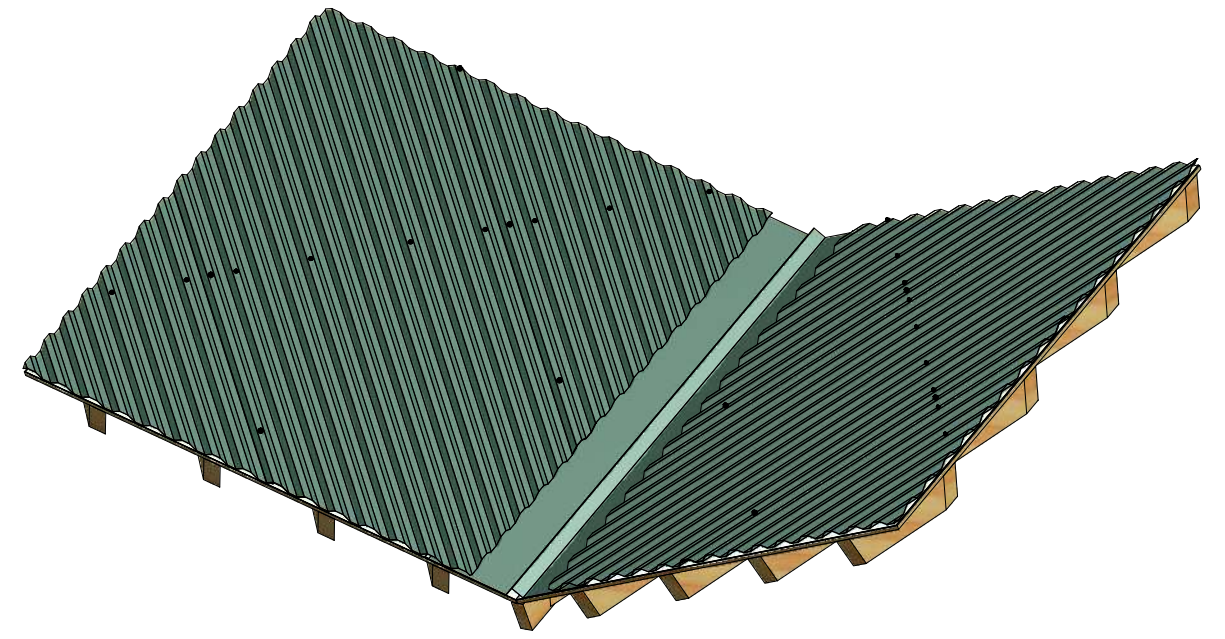
ATAS INTERNATIONAL, INC
 Allentown PA
 610-395-8445
 Mesa AZ
 480-558-7210

TITLE				Grand C Sidewall Detail	
01	3/6/2019	Updated Sidewall Trim to Sidewall Trim with Angle	KRK	DR	KRK
REV. NO.	DATE	DESCRIPTION OF REVISION	BY	APP	DATE
					1/22/2016
					12/14/2016
				SH. SIZE	B
				SCALE	X:X



ATAS ATAS INTERNATIONAL, INC
 Allentown PA
 610-395-8445
 Mesa AZ
 480-558-7210

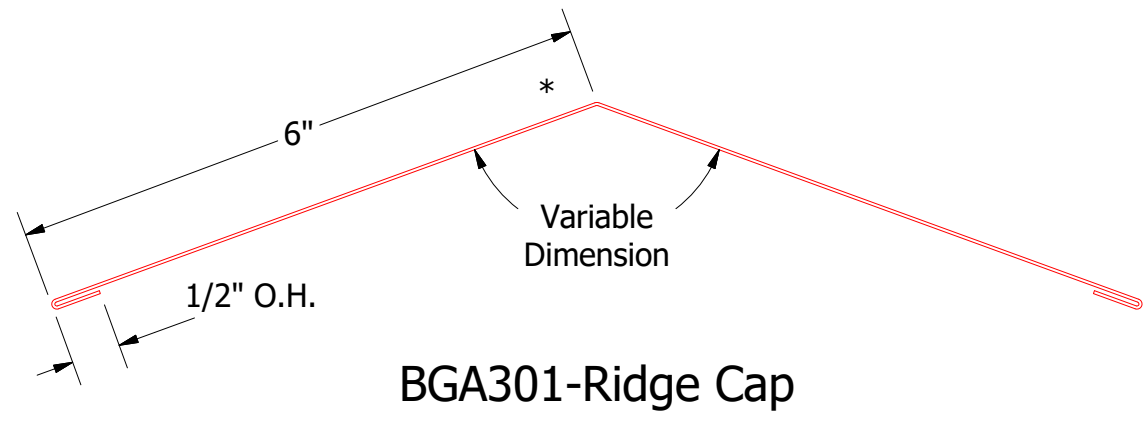
TITLE				Grand C Hip Detail	
DWG. NO.		DR		DATE	
		KRK		12/8/2016	
MATERIAL		APP		DATE	
		DAS		12/14/2016	
REV. NO.	DATE	DESCRIPTION OF REVISION	BY	APP	SCALE
					X:X



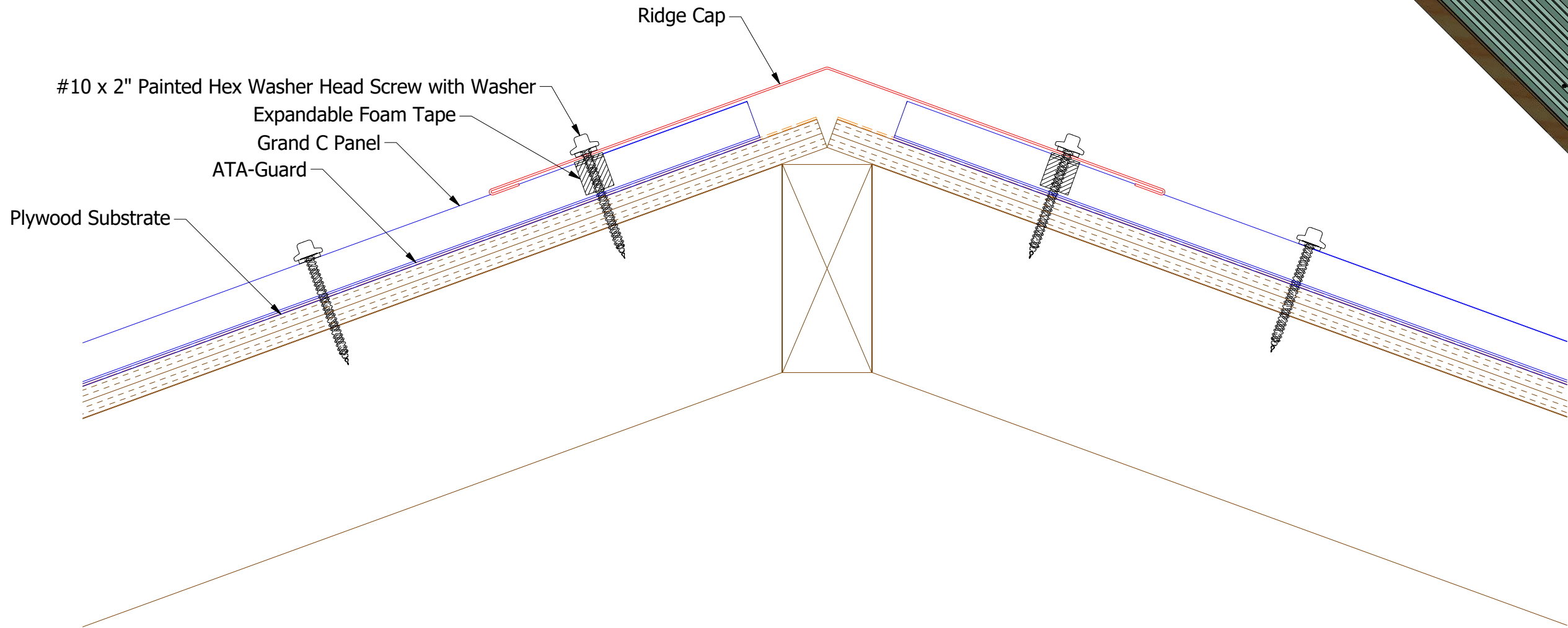
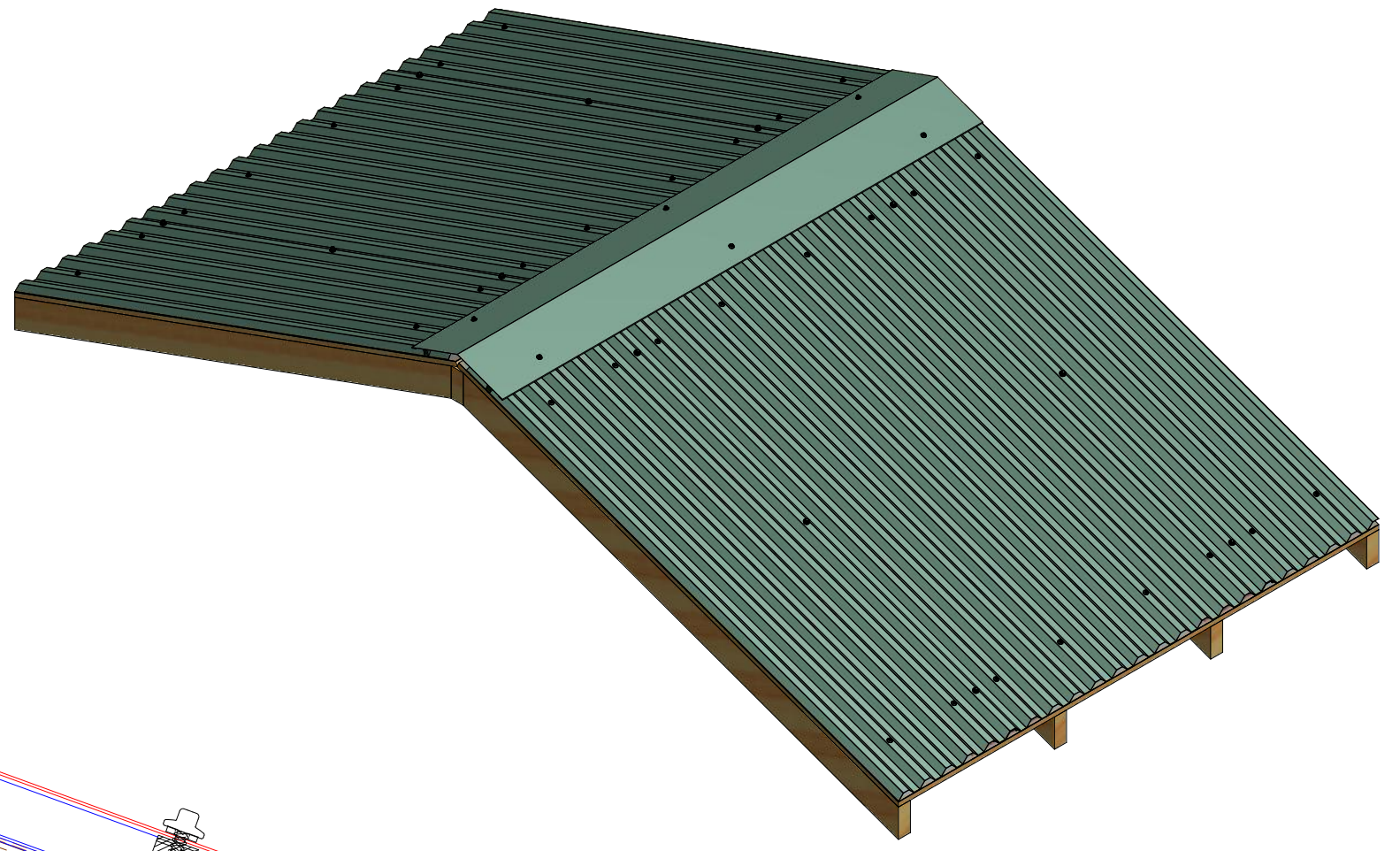
Universal Valley Trim


ATAS INTERNATIONAL, INC
 Allentown PA
 610-395-8445
 Mesa AZ
 480-558-7210

				TITLE		Grand C Valley Detail	
				DWG. NO.		DR KRK DATE 1/22/2016	
				MATERIAL		APP DAS DATE 12/14/2016	
				SH. SIZE		SCALE X:X	
REV. NO.	DATE	DESCRIPTION OF REVISION	BY	APP			
01	3/7/2019	Updated Valley Trim to Universal Valley Trim	KRK				



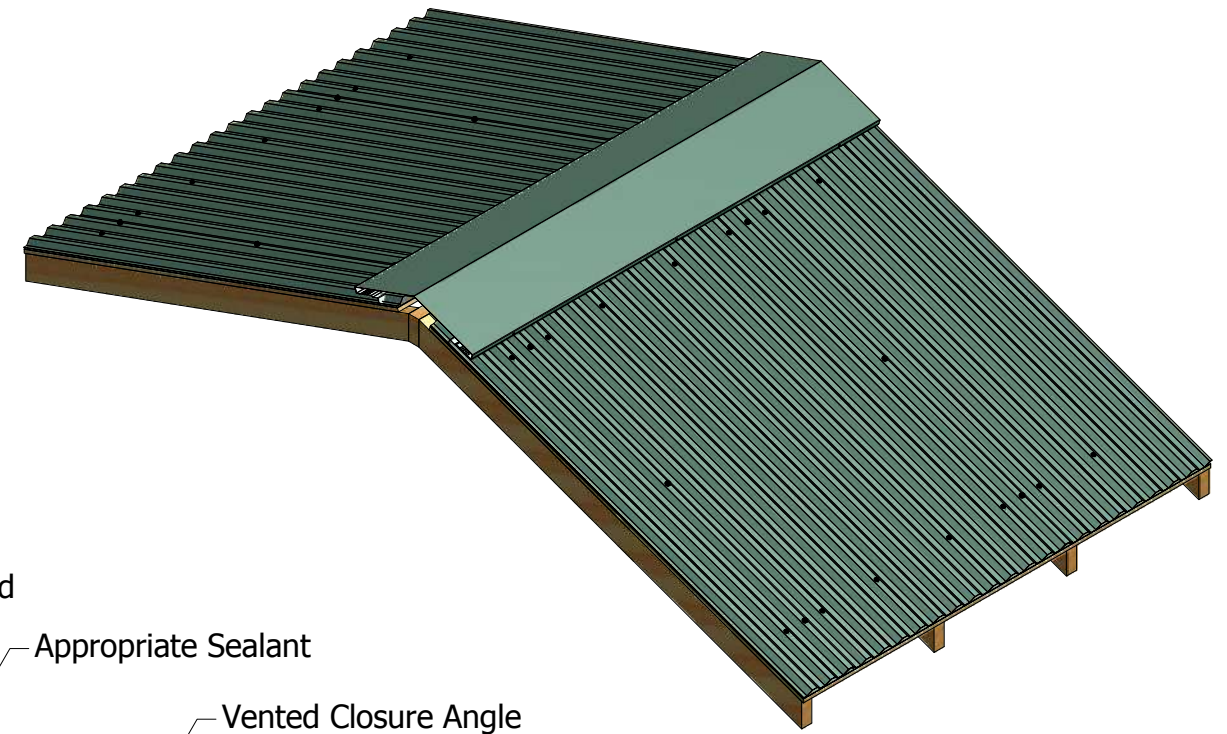
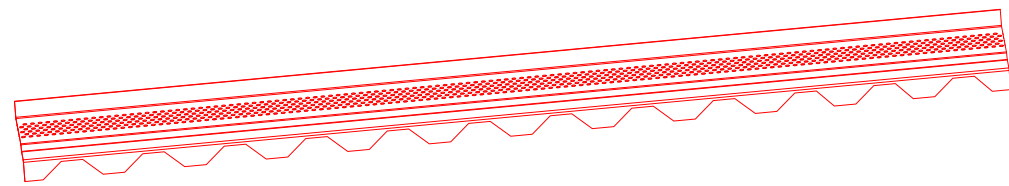
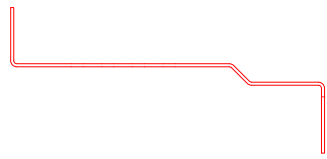
BGA301-Ridge Cap



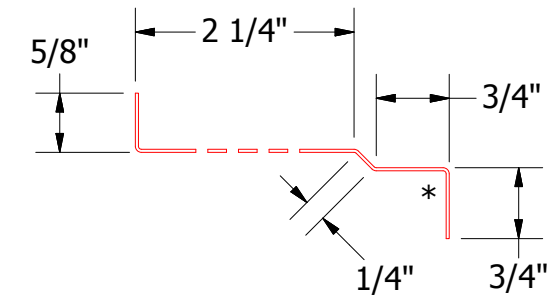
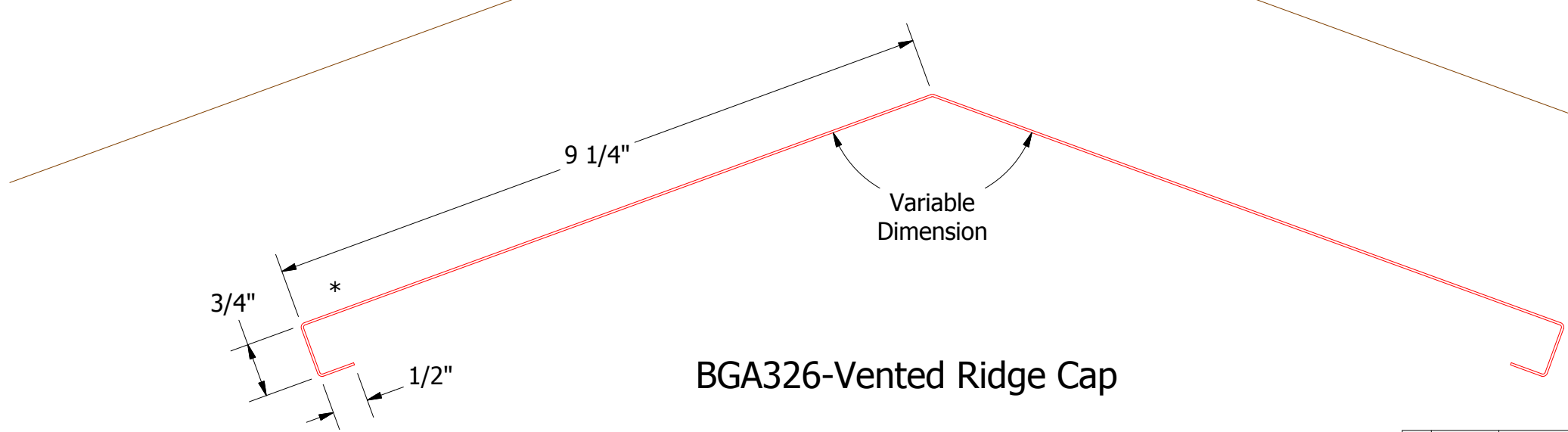
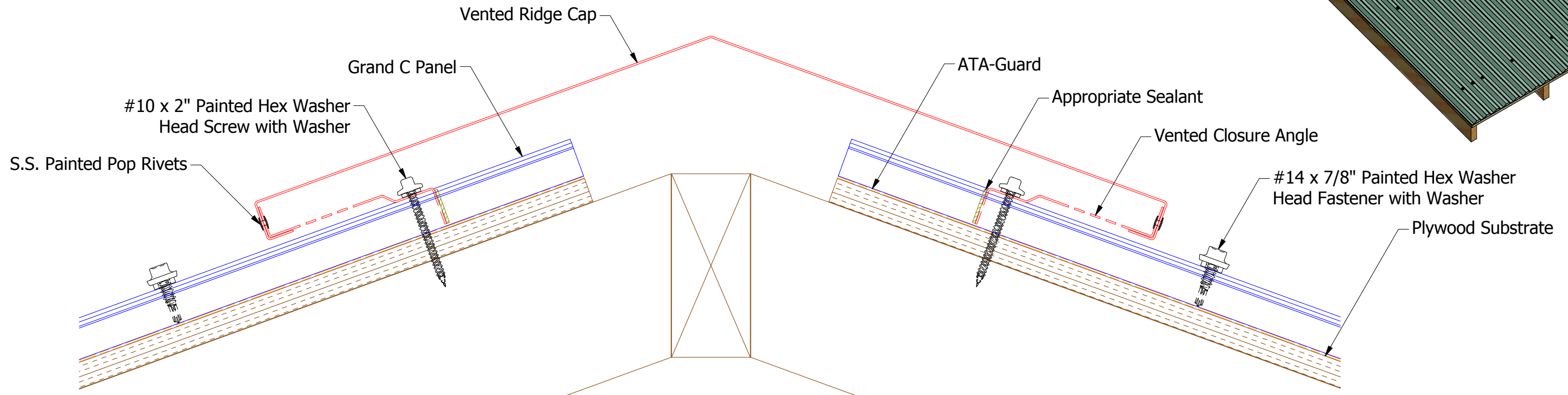
ATAS INTERNATIONAL, INC
Allentown PA
610-395-8445
Mesa AZ
480-558-7210

TITLE		Grand C Ridge Detail	
DWG. NO.	DR	KRK	DATE 1/22/2016
	APP	DAS	DATE 12/14/2016
MATERIAL	SH. SIZE	B	SCALE X:X

REV. NO.	DATE	DESCRIPTION OF REVISION	BY	APP

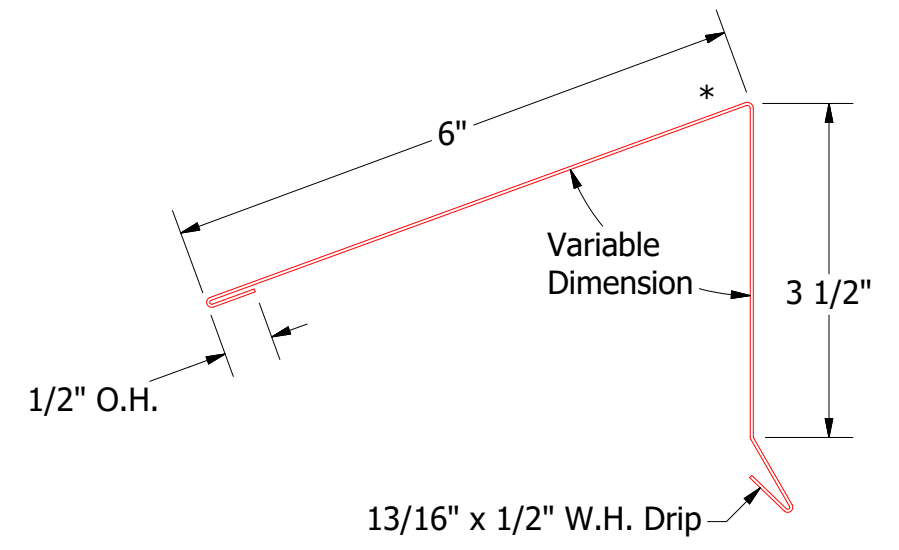
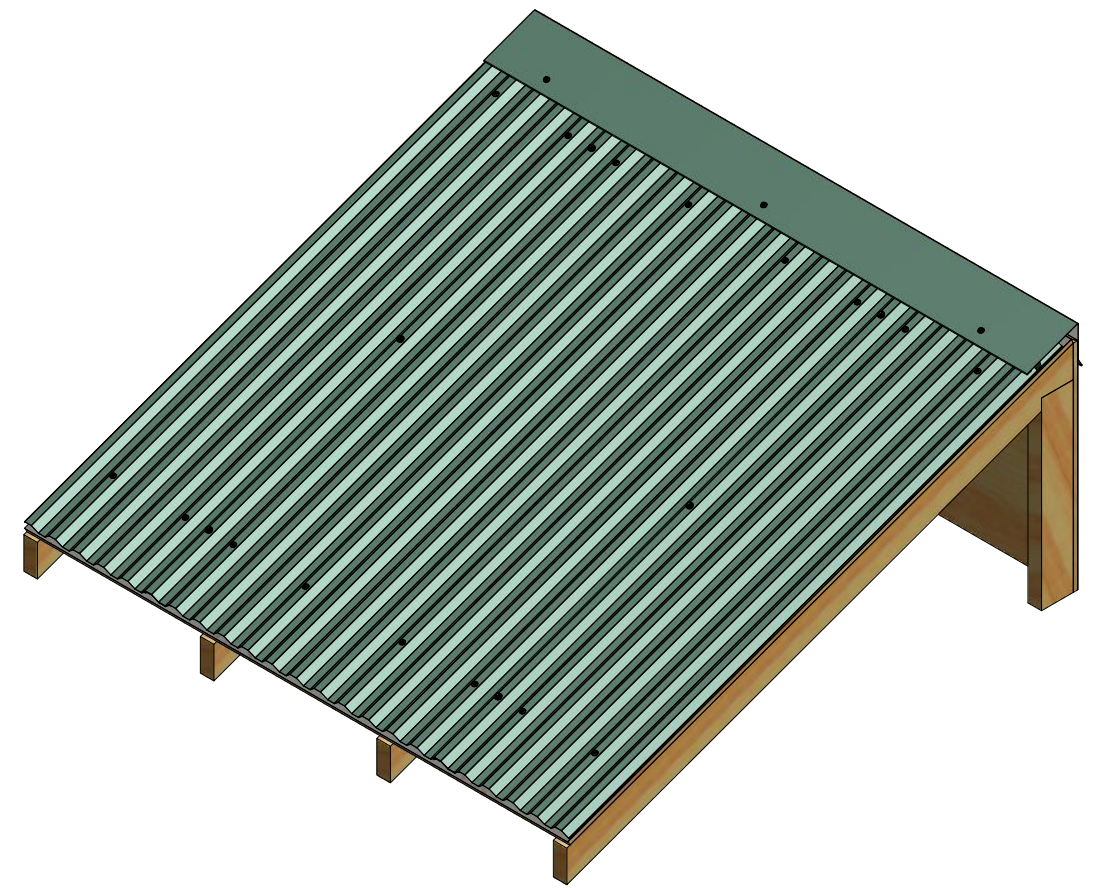
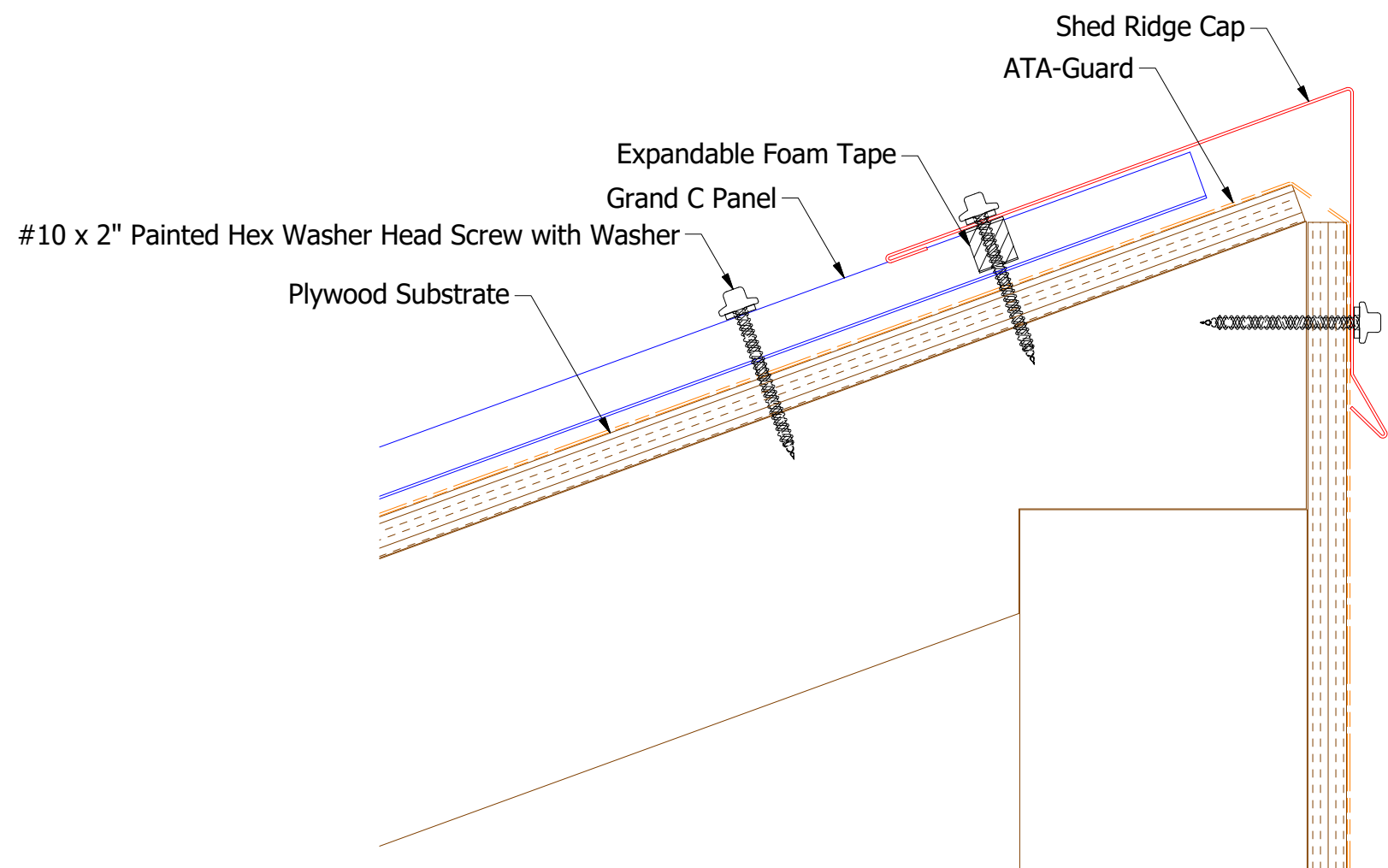


Note: Start/End Vented Closure Angle runs with at least 2'-0" of Non-Vented Closure Angles.



ATAS ATAS INTERNATIONAL, INC
 Allentown PA
 610-395-8445
 Mesa AZ
 480-558-7210

TITLE				Grand C Vented Ridge Detail	
DR	KRK	DATE	1/6/2017		
APP		DATE			
MATERIAL				SH. SIZE	B
SCALE					X:X
REV. NO.	DATE	DESCRIPTION OF REVISION	BY	APP	
01	3/13/2019	Updated Vented Closure Angle from Louvers to Perforations	KRK		

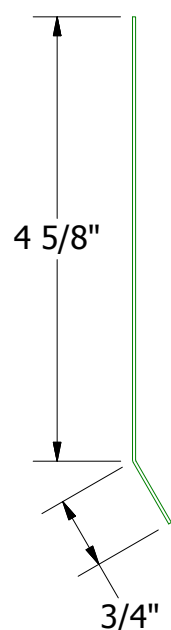
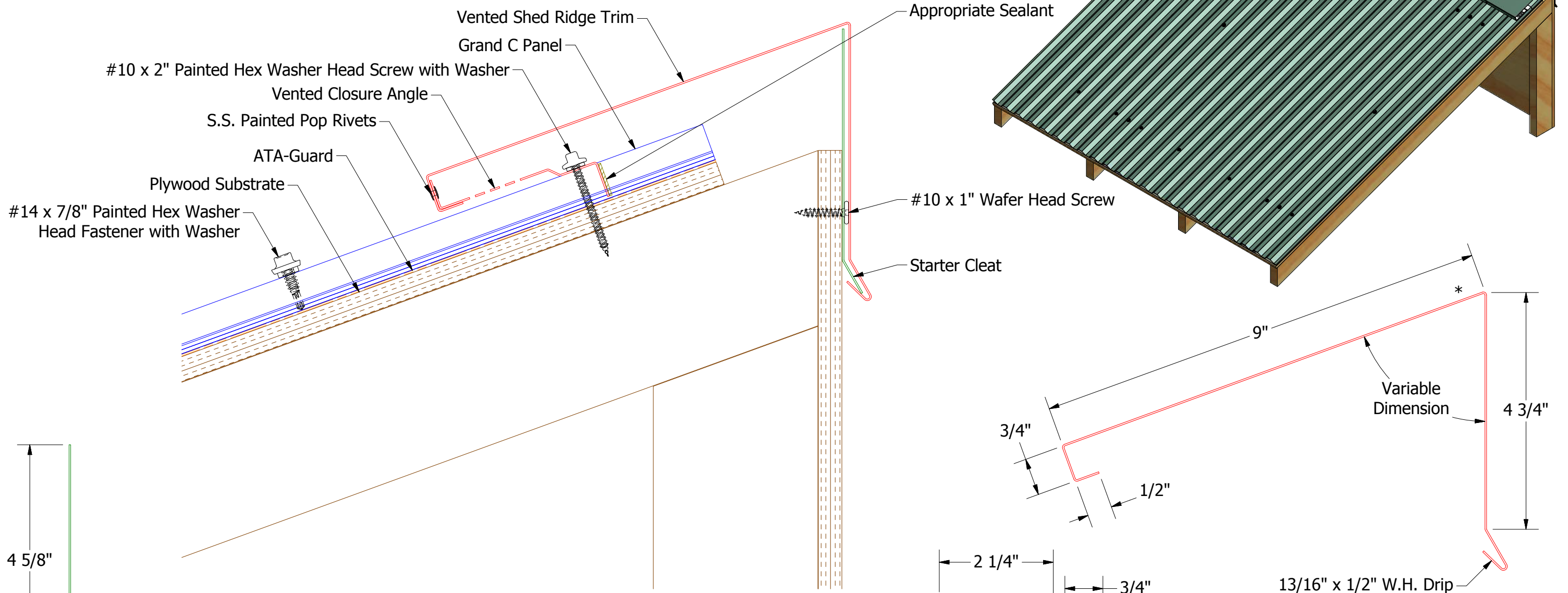


BGA342-Shed Ridge Cap

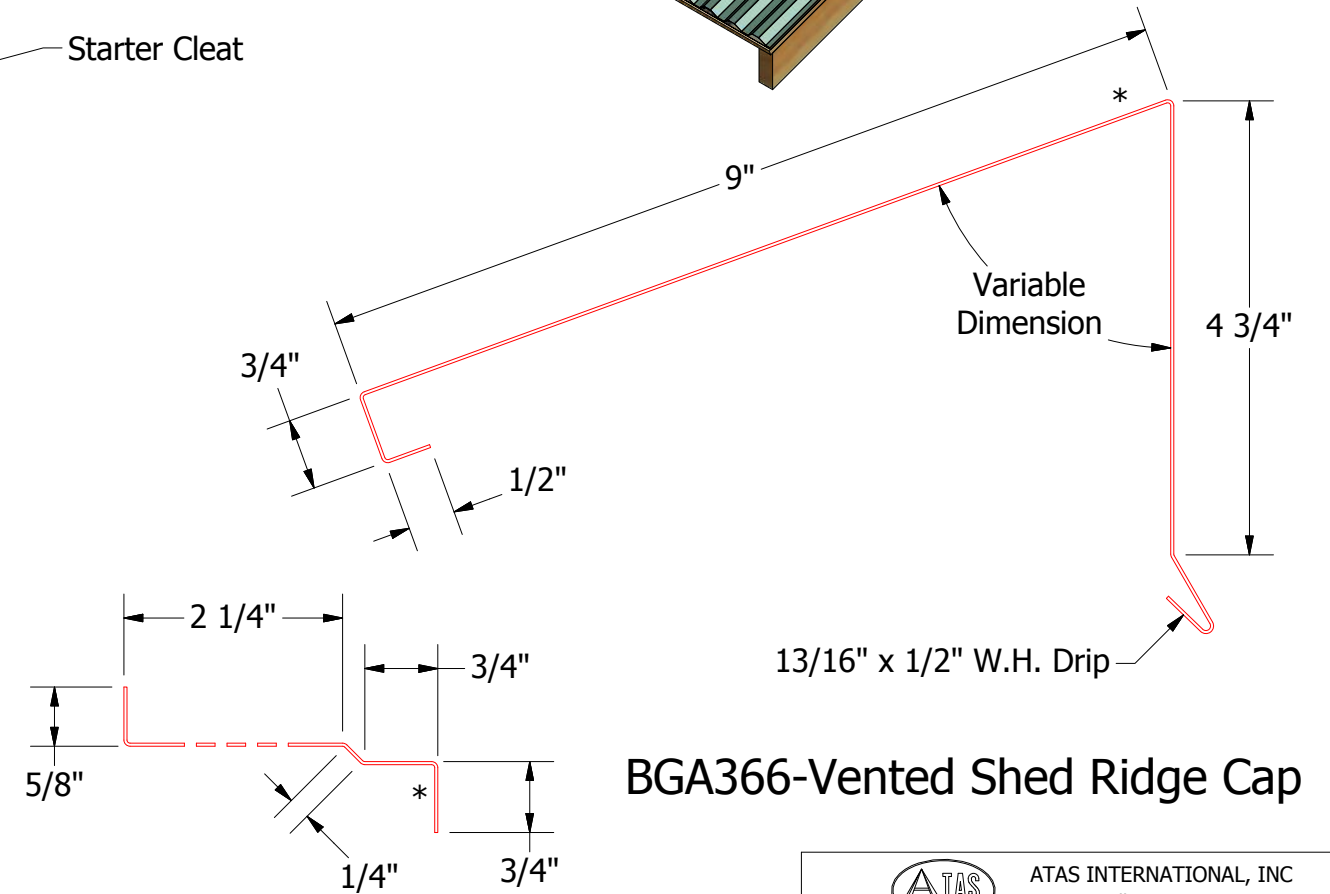
ATAS ATAS INTERNATIONAL, INC
 Allentown PA
 610-395-8445
 Mesa AZ
 480-558-7210

TITLE				Grand C Shed Ridge Detail	
DWG. NO.		DR		DATE	
		KRK		12/12/2016	
MATERIAL		APP		DATE	
		DAS		12/14/2016	
REV. NO.	DATE	DESCRIPTION OF REVISION	BY	APP	SCALE
					X:X

Note: Start/End Vented Closure Angle runs with at least 2'-0" of Non-Vented Closure Angles.



BGA369-Starter Cleat

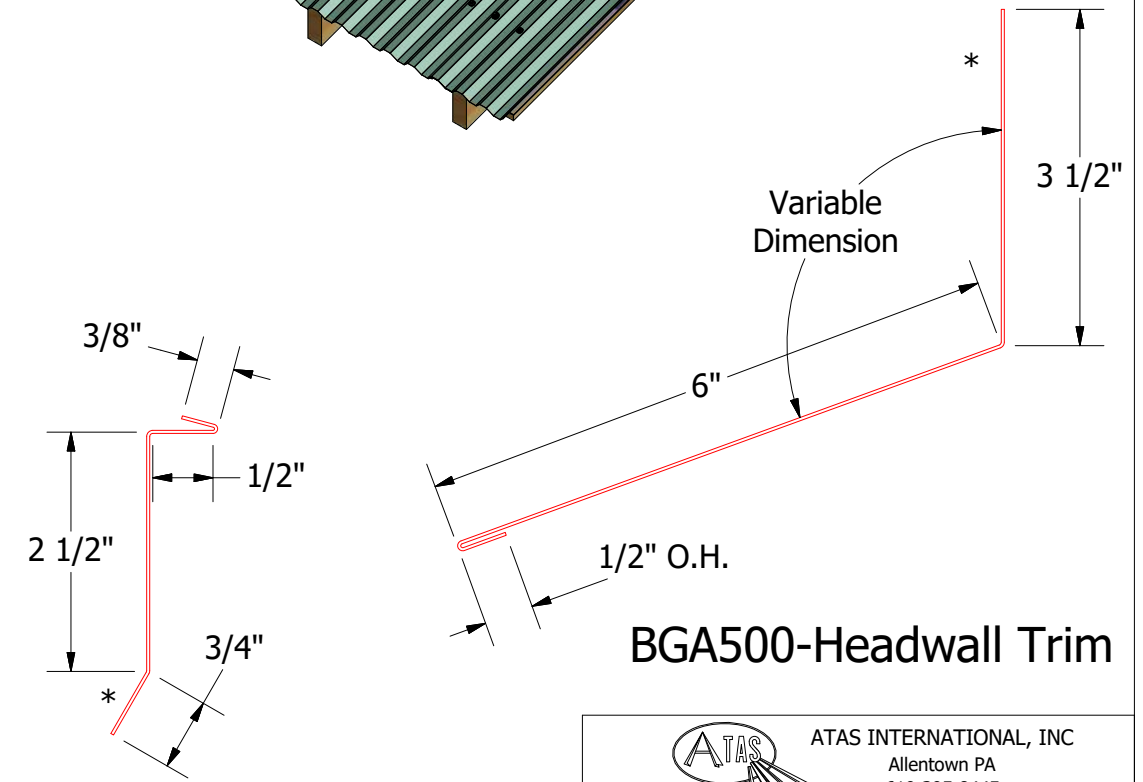
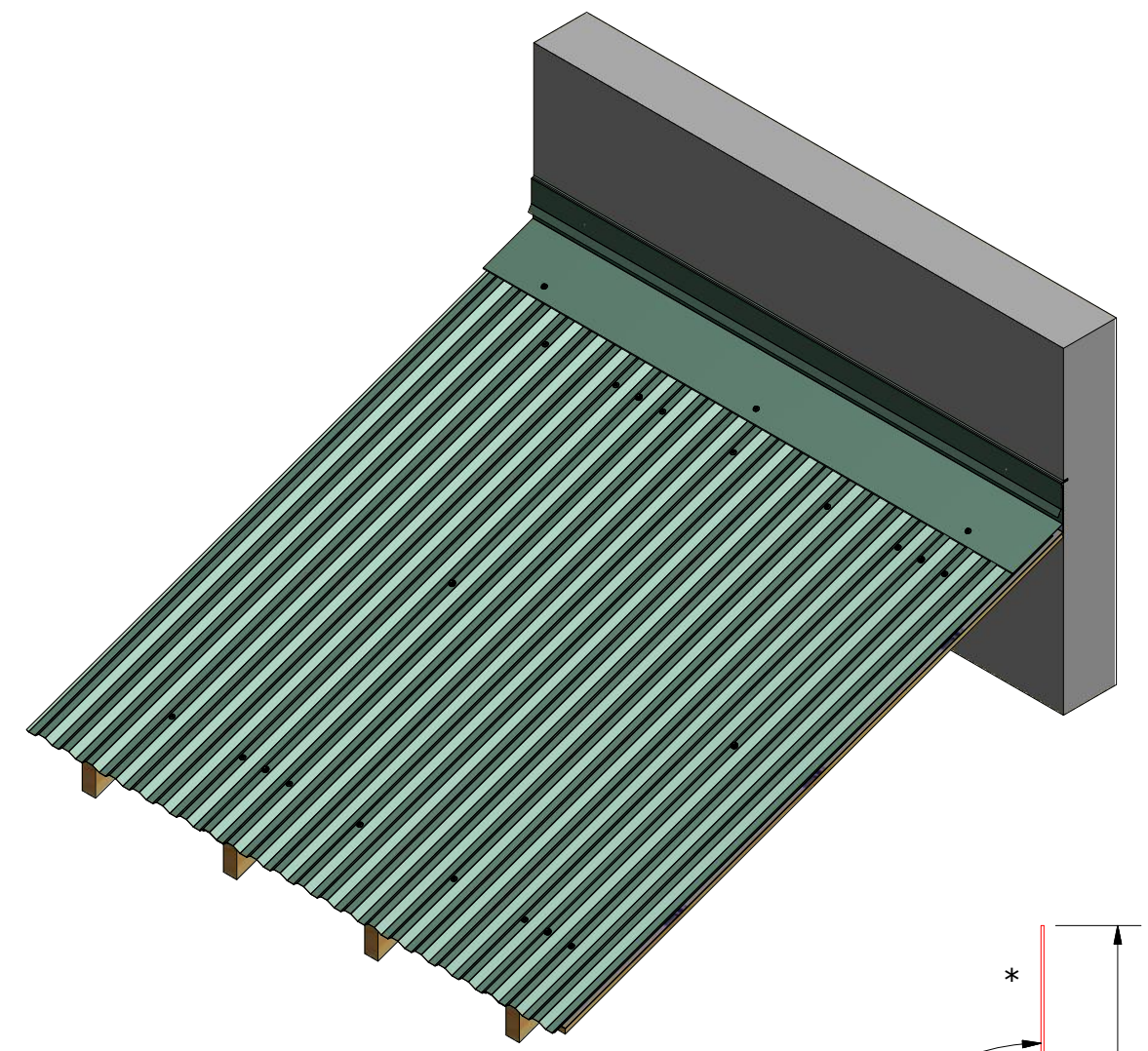
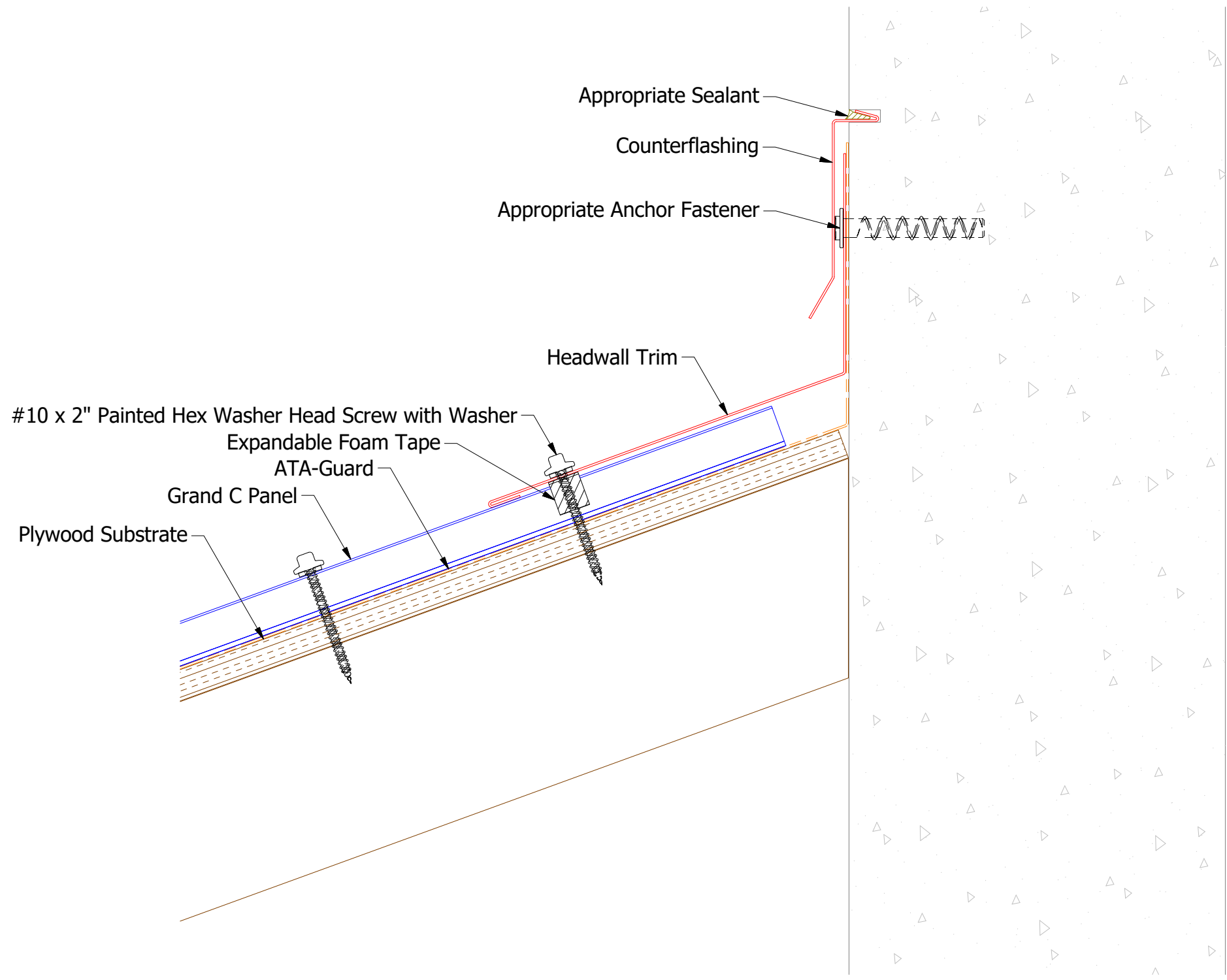


BGA911-Vented Closure Angle

BGA366-Vented Shed Ridge Cap

ATAS
 ATAS INTERNATIONAL, INC
 Allentown PA
 610-395-8445
 Mesa AZ
 480-558-7210

TITLE				Grand C Vented Shed Ridge Detail	
DWG. NO.		DR	KRK	DATE	1/13/2017
REV. NO.	01	DATE	3/13/2019	APP	DATE
		DESCRIPTION OF REVISION	Updated Vented Closure Angle from Louvers to Perforations	BY	KRK
				SH. SIZE	B
				SCALE	X:X

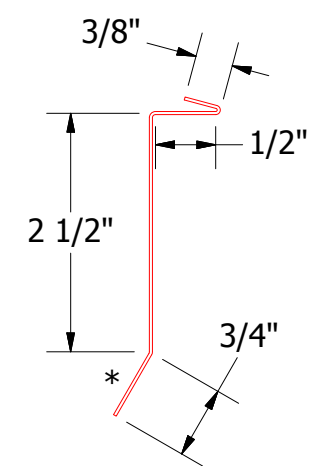
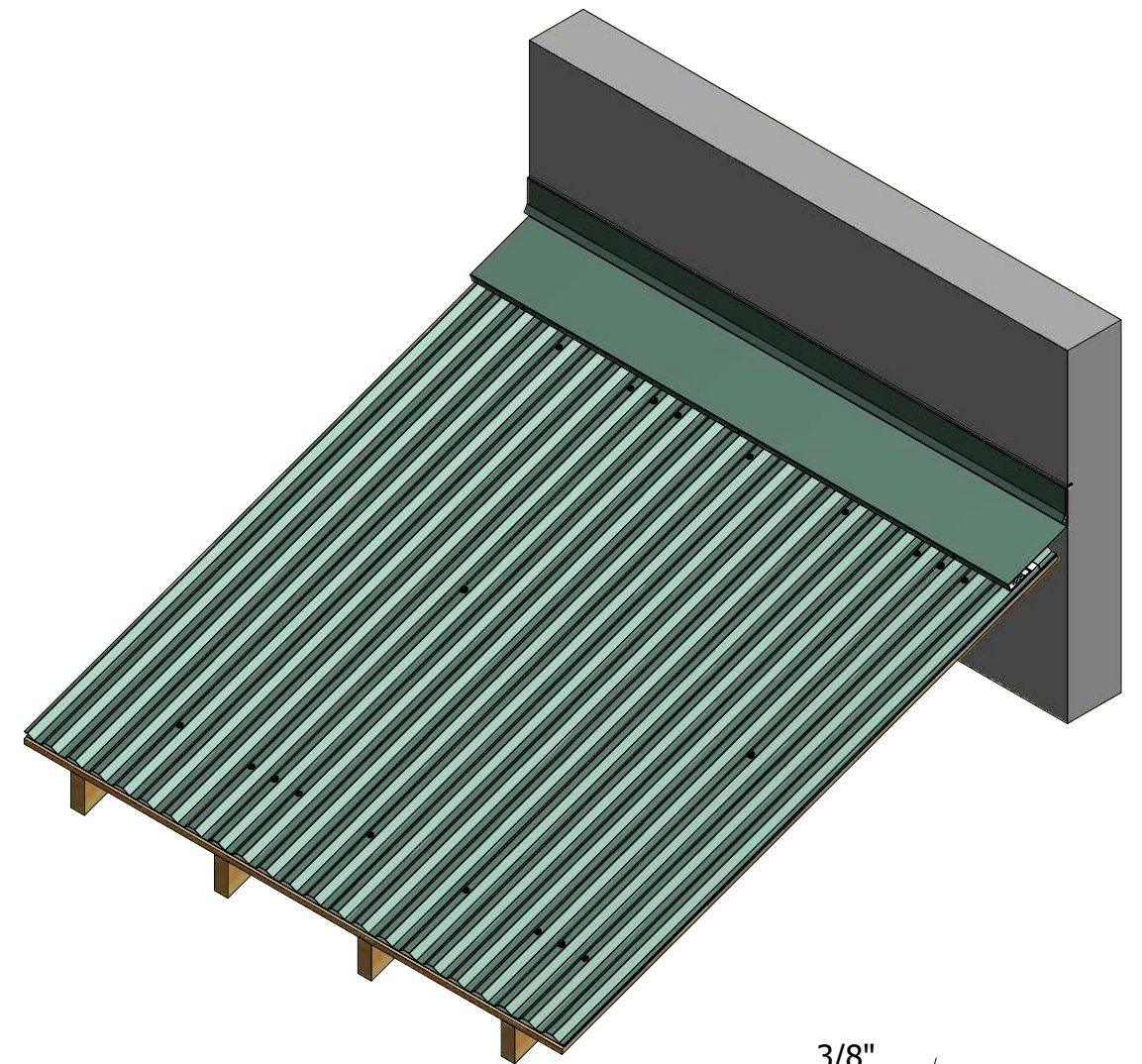
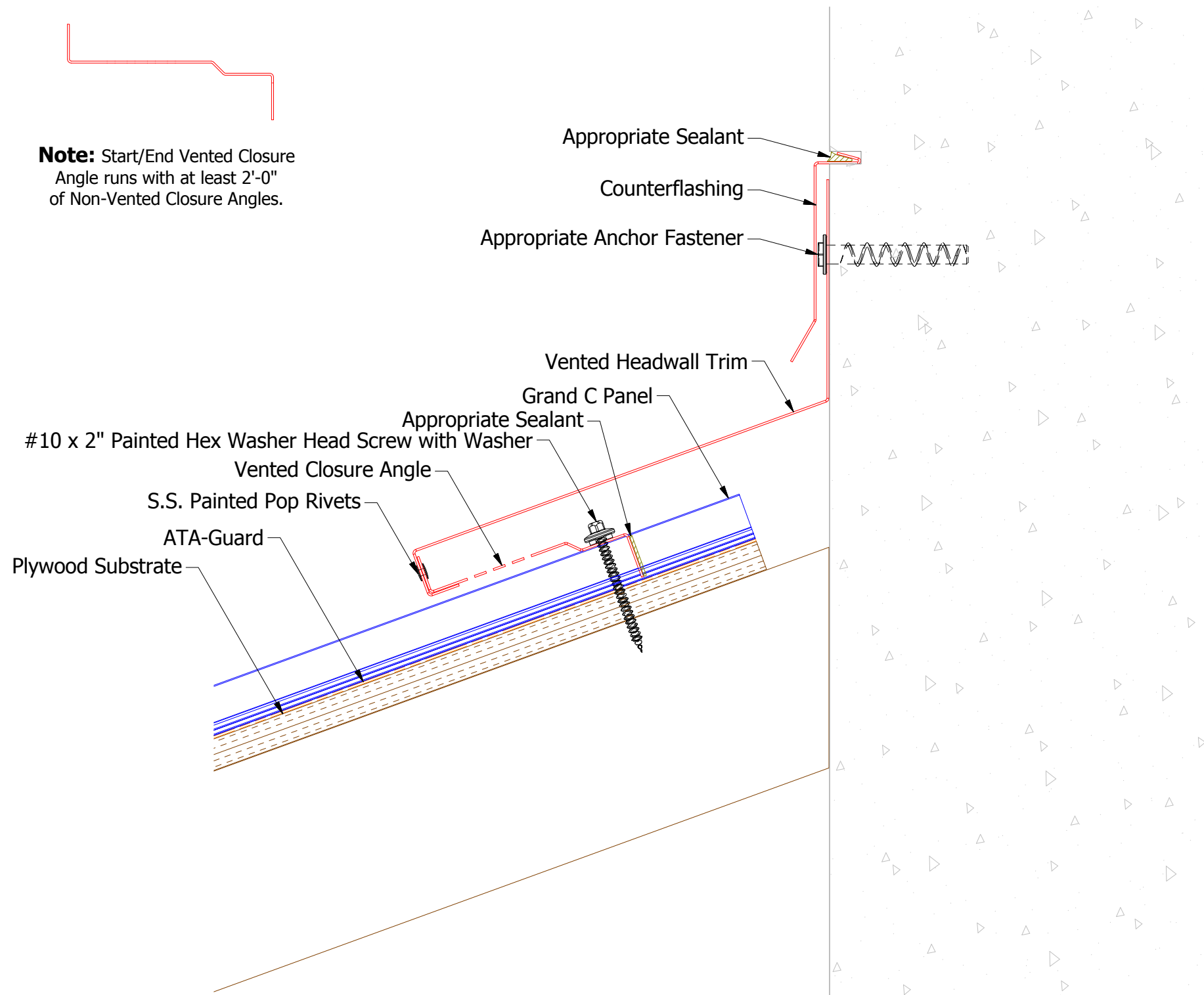


ATAS ATAS INTERNATIONAL, INC
 Allentown PA
 610-395-8445
 Mesa AZ
 480-558-7210

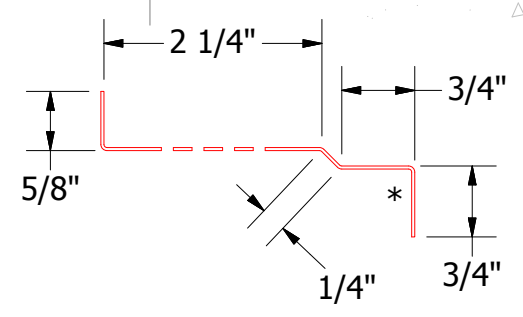
REV. NO.	DATE	DESCRIPTION OF REVISION	BY	APP

TITLE		Grand C Headwall Detail	
DWG. NO.	DR	KRK	DATE 12/6/2016
MATERIAL	APP	DAS	DATE 12/14/2016
SH. SIZE	B	SCALE	X:X

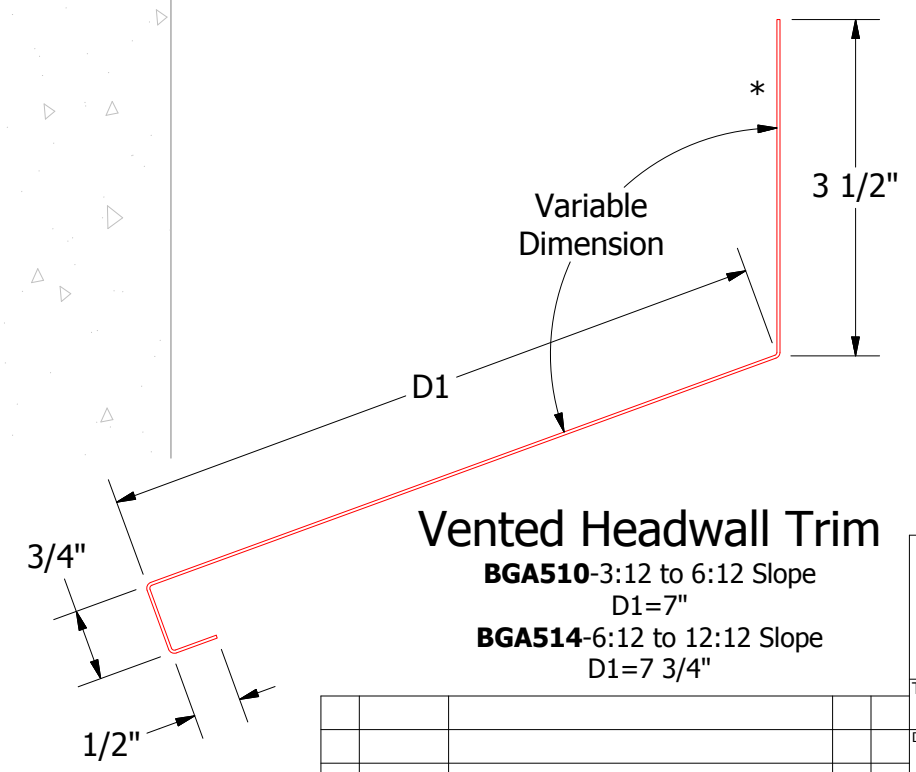
Note: Start/End Vented Closure Angle runs with at least 2'-0" of Non-Vented Closure Angles.



BGA980-Counterflashing



BGA911-Vented Closure Angle



Vented Headwall Trim
BGA510-3:12 to 6:12 Slope
 D1=7"
BGA514-6:12 to 12:12 Slope
 D1=7 3/4"

ATAS ATAS INTERNATIONAL, INC
 Allentown PA
 610-395-8445
 Mesa AZ
 480-558-7210

TITLE				Grand C Vented Headwall Detail	
DWG. NO.	DR	DATE	APP	DATE	SCALE
01	KRK	1/4/2017	APP		X:X
REV. NO.	DATE	DESCRIPTION OF REVISION	BY	APP	SCALE
					B X:X

