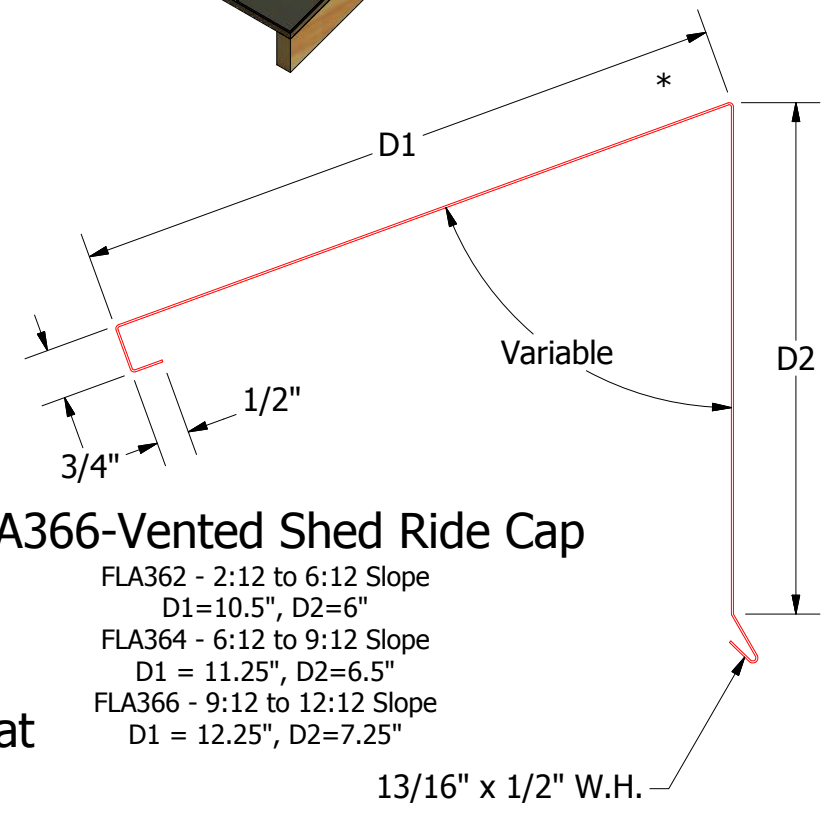


FLA366-Vented Shed Ride Cap

- FLA362 - 2:12 to 6:12 Slope
D1=10.5", D2=6"
- FLA364 - 6:12 to 9:12 Slope
D1 = 11.25", D2=6.5"
- FLA366 - 9:12 to 12:12 Slope
D1 = 12.25", D2=7.25"



Note: * denotes color side.
Note: Neoprene Closures are not required if Factory Pre Notched Vented Z Closures are utilized.


ATAS INTERNATIONAL, INC
 Allentown PA
 610-395-8445
 Mesa AZ
 480-558-7210

REV. NO.		DATE	DESCRIPTION OF REVISION	BY	APP	DWG. NO.		DR	DATE
2	5/31/2019		Updated Clip Information	AJZ	KRK	10/6/2014		KRK	DATE
1	6/22/18		Updated model and cleaned up some dimensions	JC				APP	DATE
								SH. SIZE	B
								SCALE	X:X

TITLE **FLR Vented Shed Ridge Detail**