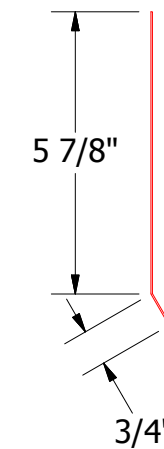


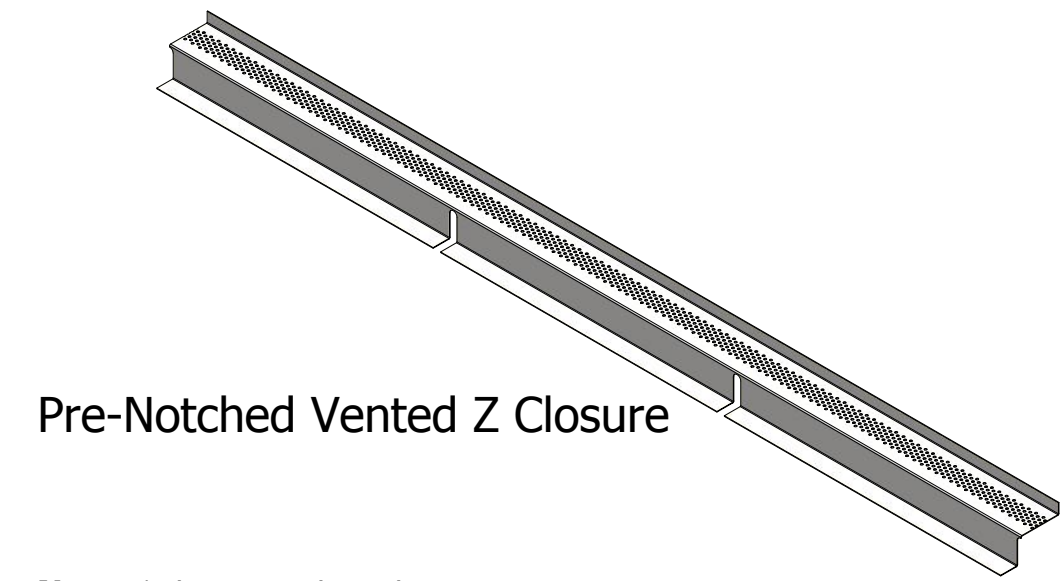
**FLA366-Vented Shed Ride Cap**

- FLA362 - 2:12 to 6:12 Slope  
D1=10.5", D2=6"
- FLA364 - 6:12 to 9:12 Slope  
D1 = 11.25", D2=6.5"
- FLA366 - 9:12 to 12:12 Slope  
D1 = 12.25", D2=7.25"

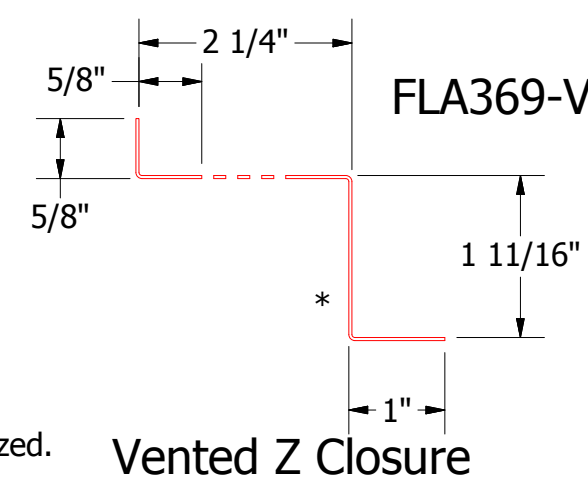


**FLA369-Vented Shed Ridge Starter Cleat**

- 2:12 to 6:12 Slope  
D1=5.875"
- 6:12 to 9:12 Slope  
D1=6.375"
- 9:12 to 12:12 Slope  
D1=7.125"



**Pre-Notched Vented Z Closure**



**Vented Z Closure**

**Note:** \* denotes color side.  
**Note:** Neoprene Closures are not required if Factory Vented Pre Notched Z Closures are utilized.

**ATAS** ATAS INTERNATIONAL, INC  
 Allentown PA  
 610-395-8445  
 Mesa AZ  
 480-558-7210

REV. NO.		DATE	DESCRIPTION OF REVISION	BY	APP	TITLE		DWG. NO.	DR	DATE
2	5/30/2019		Updated Clip Information	AJZ	KRK	FLM Vented Shed Ridge Detail			KRK	9/11/2014
1	6/21/18		Changes of some dimensions	JC					APP	DATE
									SH. SIZE	SCALE
									B	X:X