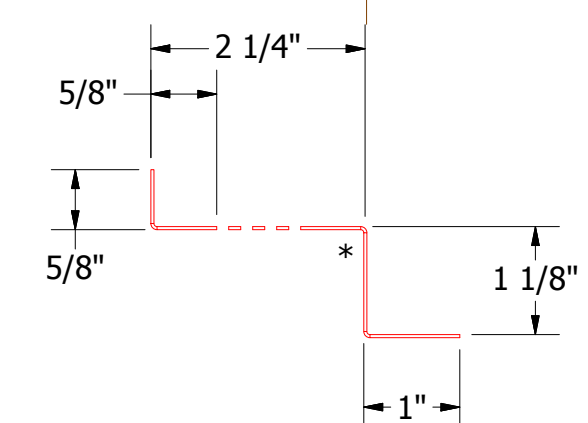
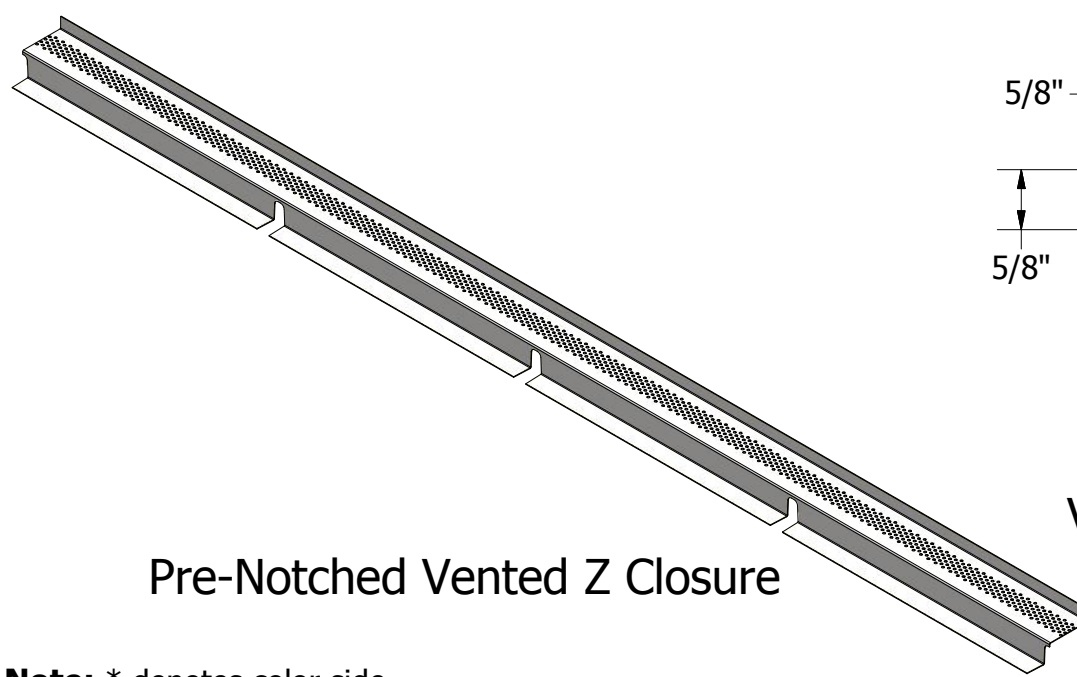
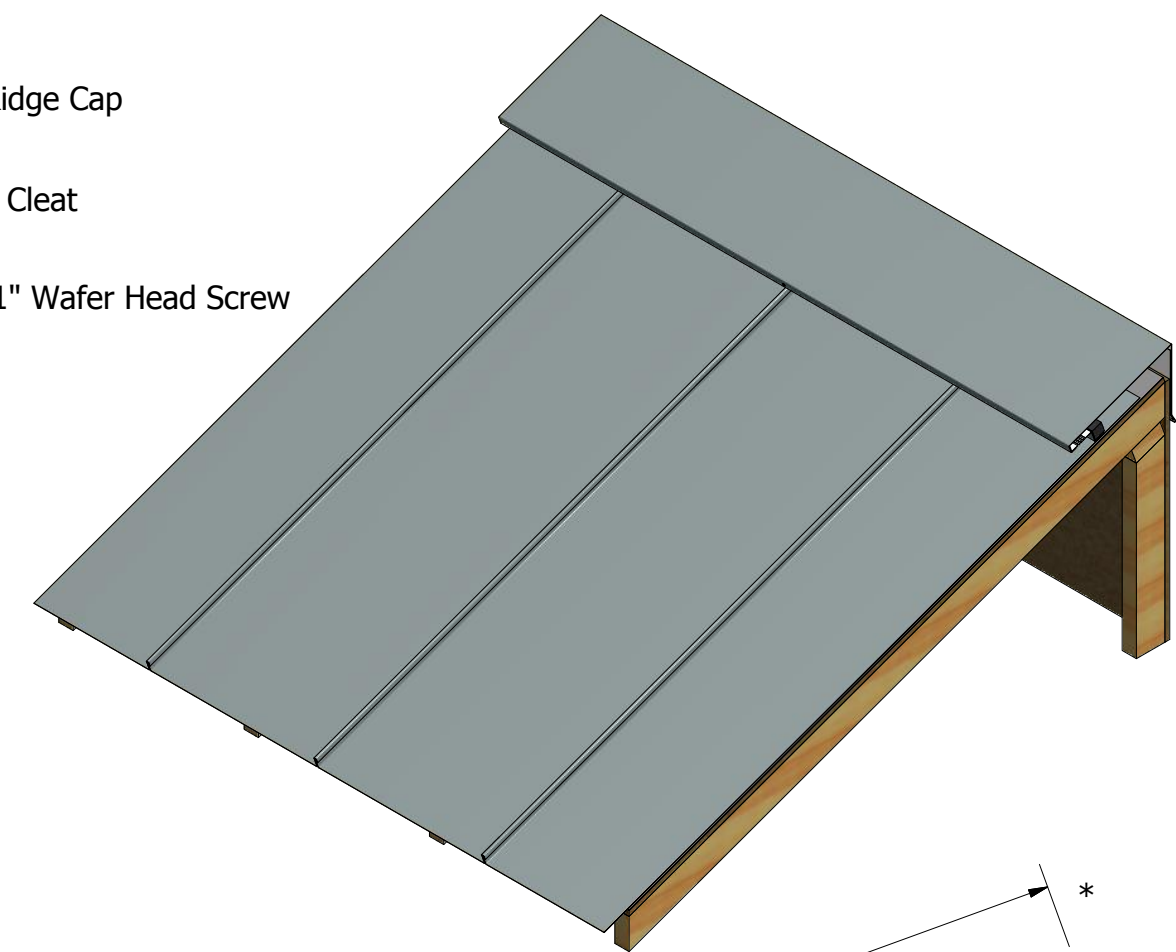


Field Notched Neoprene
Butyl Tape
Vented Z Closure
S.S. Painted Pop Rivet
Plywood
ATA-Guard
FLL Panel
1" Movable Clip

Shed Ridge Cap
Starter Cleat
#10 x 1" Wafer Head Screw

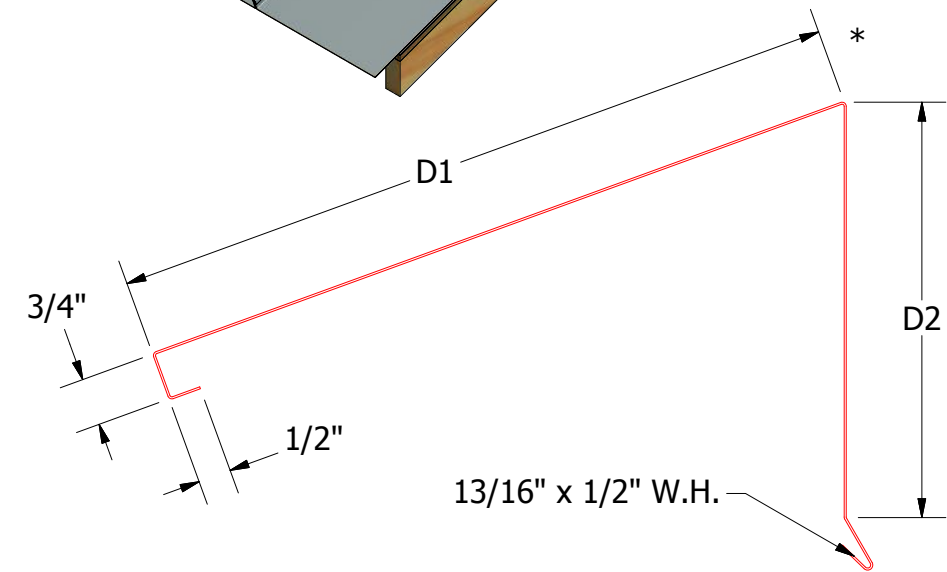
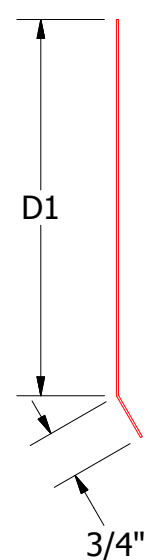


Vented Z Closure

Pre-Notched Vented Z Closure

FLA369-Vented Shed Ridge Starter Cleat

2:12 to 6:12 Slope
D1=5.875"
6:12 to 9:12 Slope
D1=6.375"
9:12 to 12:12 Slope
D1=7.125"



FLA366-Vented Shed Ridge Cap

FLA362 - 2:12 to 6:12 Slope
D1=10.5", D2=6"
FLA364 - 6:12 to 9:12 Slope
D1 = 11.25", D2=6.5"
FLA366 - 9:12 to 12:12 Slope
D1 = 12.25", D2=7.25"

Note: * denotes color side.
Note: Neoprene Closures are not required if Factory Pre Notched Vented Z Closures are utilized.

ATAS ATAS INTERNATIONAL, INC
Allentown PA
610-395-8445
Mesa AZ
480-558-7210

REV. NO.		DATE	DESCRIPTION OF REVISION	BY	APP	TITLE		DWG. NO.	DR	DATE
2		5/29/2019	Updated Clip Information	AJZ	KRK	FLL Vented Shed Ridge Detail			KRK	9/30/2014
1		6/18/2018	Updated Variable Dimensions and Titles	MBP						
SH. SIZE		SCALE		X:X						