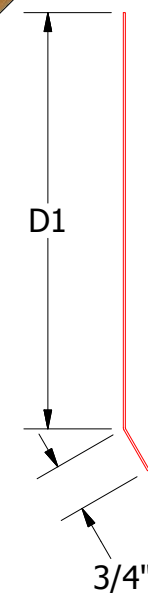


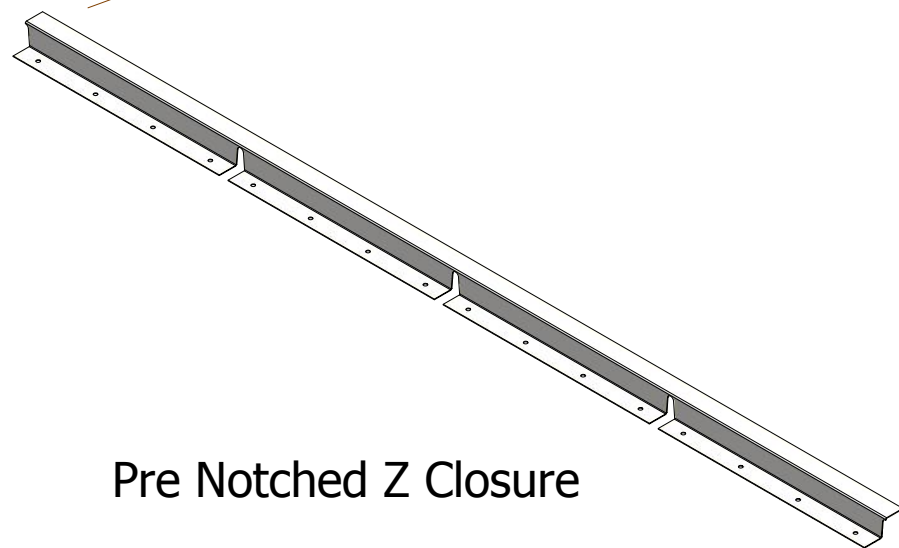
FLA346-Shed Ridge Cap

- FLA342 - 2:12 to 6:12 Slope
D1=7", D2=6.25"
- FLA344 - 6:12 to 9:12 Slope
D1 = 8", D2=6.5"
- FLA346 - 9:12 to 12:12 Slope
D1 = 9", D2=6.75"

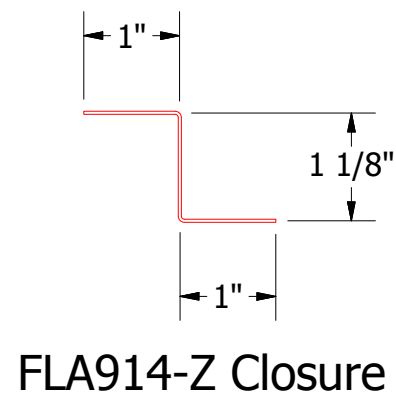


FLA349-Shed Ridge Starter Cleat

- 2:12 to 6:12 Slope
D1=6.125"
- 6:12 to 9:12 Slope
D1=6.375"
- 9:12 to 12:12 Slope
D1=6.625"



Pre Notched Z Closure



FLA914-Z Closure

Note: * denotes color side.

Note: Neoprene Closures are not required if Factory Pre Notched Z Closures are utilized.

ATAS ATAS INTERNATIONAL, INC
 Allentown PA
 610-395-8445
 Mesa AZ
 480-558-7210

TITLE				FLL Shed Ridge Detail					
2	5/29/2019	Updated Clip Information	AJZ	KRK	DWG. NO.	DR	KRK	DATE	9/30/2014
1	6/18/2018	Updated Variable Dimensions and Hems	MBP	APP	MATERIAL	APP		DATE	
REV. NO.	DATE	DESCRIPTION OF REVISION	BY	APP	SH. SIZE	B	SCALE	X:X	