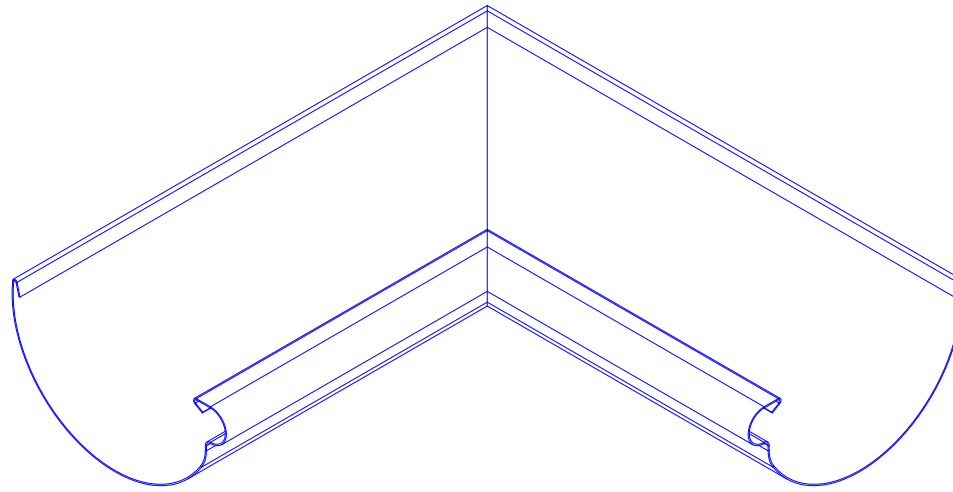
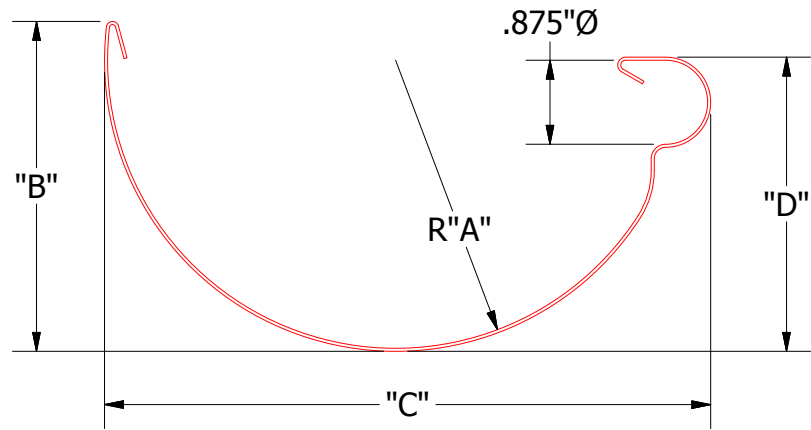
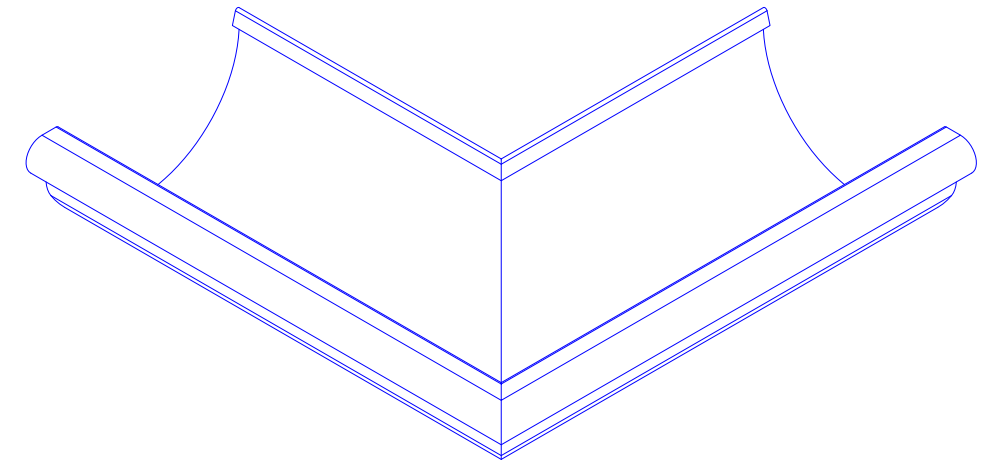


Half Round Gutter

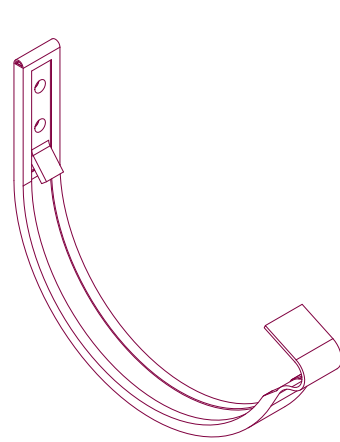
	"A"	"B"	"C"	"D"
5" Gutter	R-2.5"	3"	5.25"	2.5"
6" Gutter	R-3"	3.5"	6.25"	3"
7" Gutter	R-3.5"	4"	7.25"	3.5"



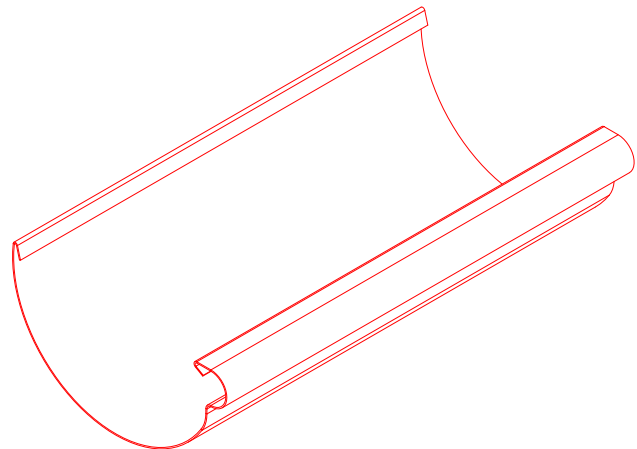
Inside Corner Half Round Gutter



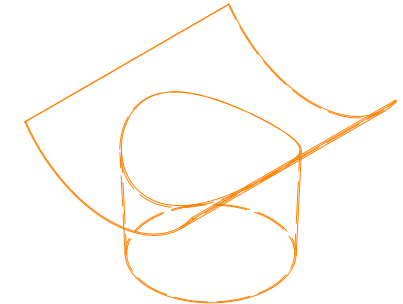
Outside Corner Half Round Gutter



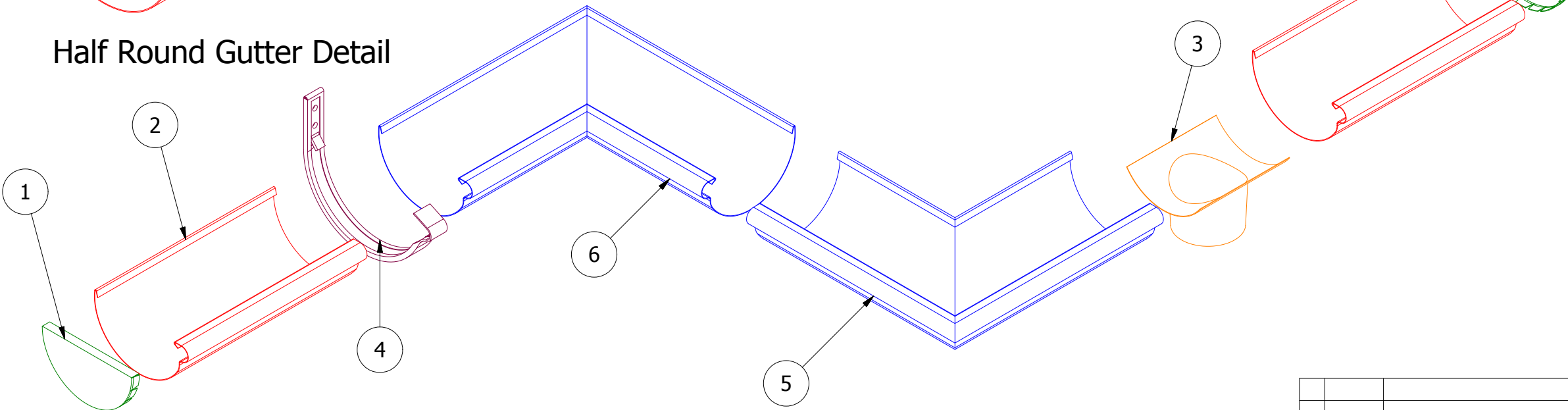
Half Round Outlet



Half Round Brace Support



Half Round Gutter End Cap



Half Round Gutter Detail

PARTS LIST		
ITEM	QTY	PART NAME
1	2	Half Round End Cap
2	4	Half Round Gutter
3	1	Half Round Gutter Outlet
4	1	Gutter Support Brace
5	1	Outside Corner Half Gutter
6	1	Inside Corner Half Gutter

REV. NO.		DATE	DESCRIPTION OF REVISION	BY	APP
TITLE				Half Round Gutter Detail	
DWG. NO.		DR	DMR	DATE	12/18/2017
MATERIAL		APP		DATE	
SH. SIZE		B	SCALE	X:X	


ATAS INTERNATIONAL, INC
 Allentown PA
 610-395-8445
 Mesa AZ
 480-558-7210