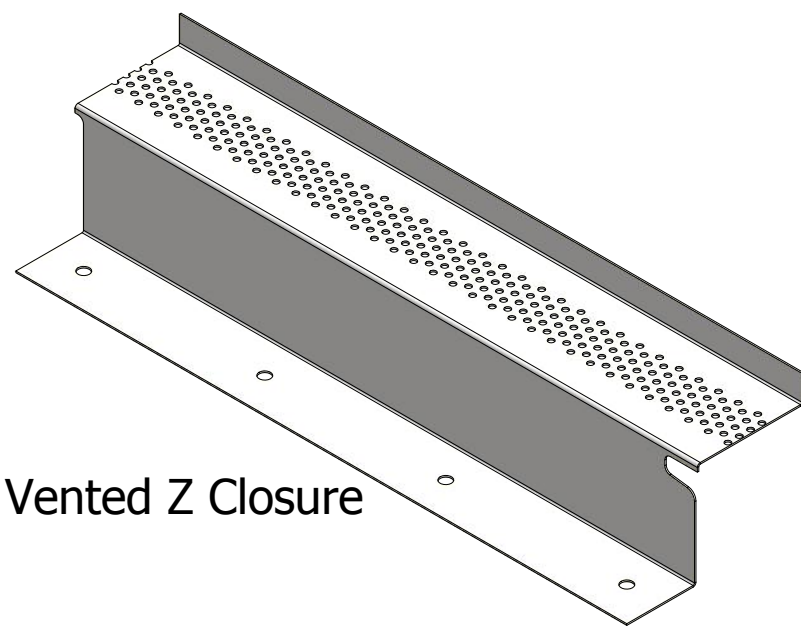
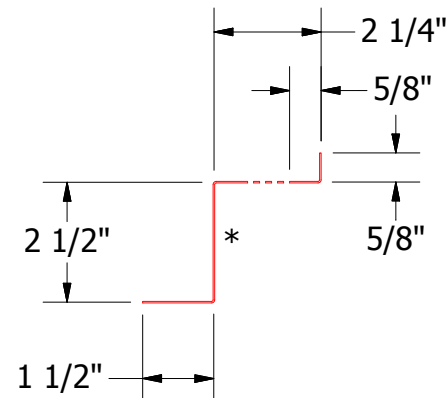


### Vented Ridge Cap

- FLA322-2:12 to 6:12 Slope  
D1=7 1/4"
- FLA324-6:12 to 9:12 Slope  
D1=8 1/4"
- FLA326-9:12 to 12:12 Slope  
D1=9 1/4"



Factory Pre Notched Vented Z Closure



FLA911-Vented Z Closure

**Note:** \* denotes color side.

**Note:** Neoprene Closures are not required if Factory Pre Notched Vented Z Closures are utilized.

REV. NO.	DATE	DESCRIPTION OF REVISION	BY	APP	TITLE	DWG. NO.	DR	DATE
2	5/31/2019	Updated Clip Information	AJZ	KRK	FLS Vented Ridge Detail		KRK	10/8/2014
1	6/25/18	Updated model and cleaned up dimensions	JC				APP	
					MATERIAL		SH. SIZE	B
							SCALE	X:X



ATAS INTERNATIONAL, INC  
Allentown PA  
610-395-8445  
Mesa AZ  
480-558-7210