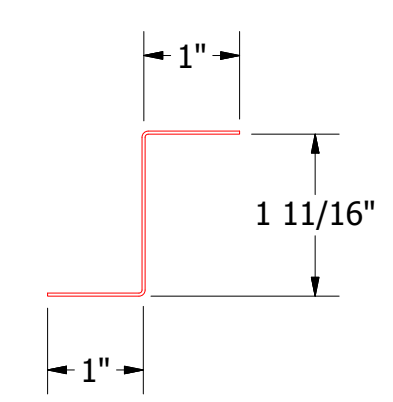
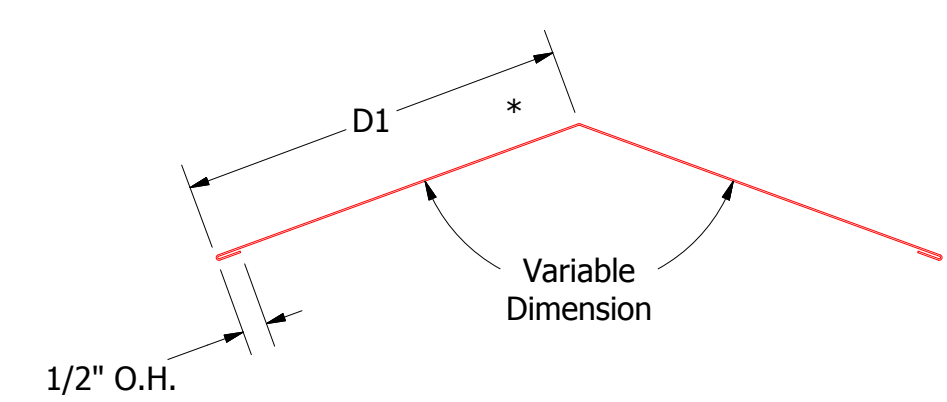


Pre Notched Z Closure



FLA916-Z Closure



**Ridge Cap**  
 FLA301-2:12 to 6:12 Slope  
 D1=7"  
 FLA302-6:12 to 9:12 Slope  
 D1=8"  
 FLA303-9:12 to 12:12 Slope  
 D1=9"

**ATAS** ATAS INTERNATIONAL, INC  
 Allentown PA  
 610-395-8445  
 Mesa AZ  
 480-558-7210

**Note:** \* denotes color side.  
**Note:** Neoprene Closures are not required if Factory Pre Notched Z Closures are utilized.

REV. NO.	DATE	DESCRIPTION OF REVISION	BY	APP	TITLE	DWG. NO.	DR	DATE
2	5/30/2019	Updated Clip Information	AJZ	KRK	FLM Ridge Detail	DR	KRK	9/9/2014
1	6/20/18	Updated Substrate	MBP	APP			DATE	
					MATERIAL		SH. SIZE	B
							SCALE	X:X