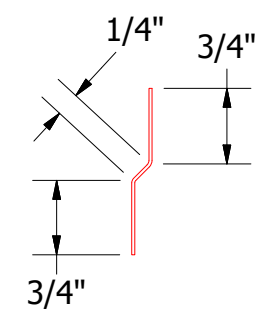
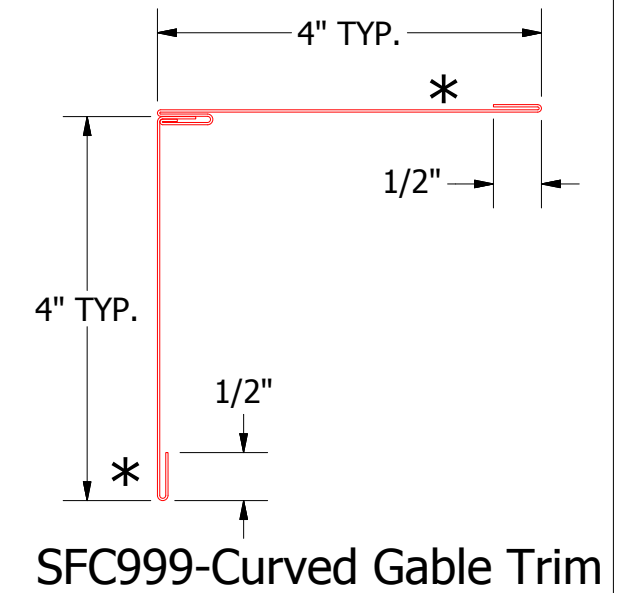


FLA962-Utility Cleat



FLA975-Joggle Cleat



SFC999-Curved Gable Trim

REV. NO.		DATE	DESCRIPTION OF REVISION	BY	APP	TITLE FLM Curved Gable Detail	
DR		KRK	DATE	9/15/2014		DWG. NO.	
APP			DATE			MATERIAL	
SH. SIZE		B	SCALE	X:X			

**ATAS**  
 ATAS INTERNATIONAL, INC  
 Allentown PA  
 610-395-8445  
 Mesa AZ  
 480-558-7210