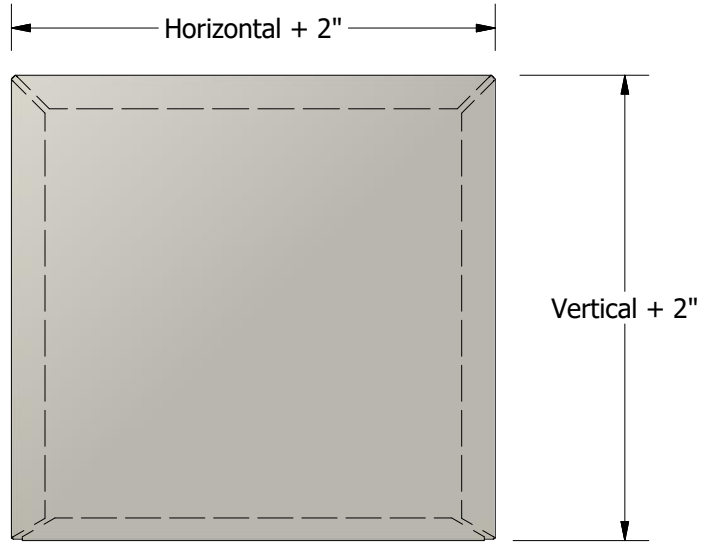
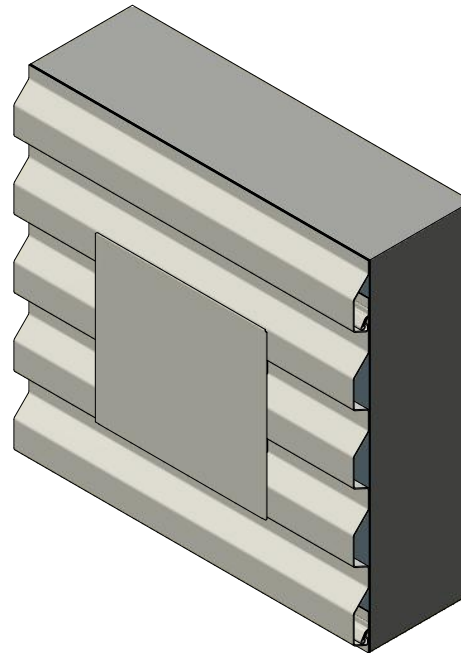
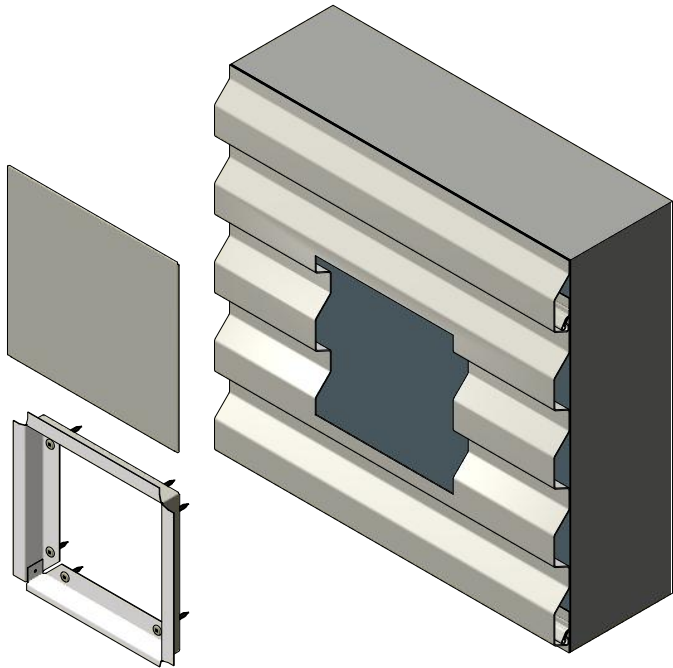


Base



If a pre-punched shape is needed on cover specify it's dimensions and location.

Cover



Order #

Base Dimensions

Horizontal:

Vertical:

For use with (Panel SKU):

or  
Height (If specific size requested):

Alum: .032  .040

Steel: 24ga

Color:

Quantity:



ATAS INTERNATIONAL, INC  
Allentown PA  
610-395-8445  
Mesa AZ  
480-558-7210

Patent Number: 10,439,380B2

REV. NO.	DATE	DESCRIPTION OF REVISION	BY	APP	TITLE	DR	DATE
02	6/29/2022	Added Patent Number	KRK		Zee Box - Order Sheet - Standard Cover	PJR	04-25-16
01	8/23/2021	Updated Materials	KRK	JPB		DATE	
					MATERIAL	SH. SIZE	A
						SCALE	X:X

DWG. NO.		DR	DATE
		PJR	04-25-16
		APP	DATE
		SH. SIZE	A
		SCALE	X:X