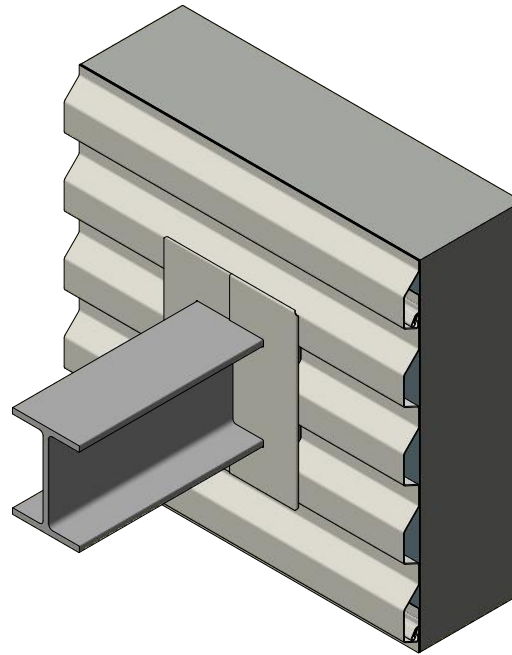
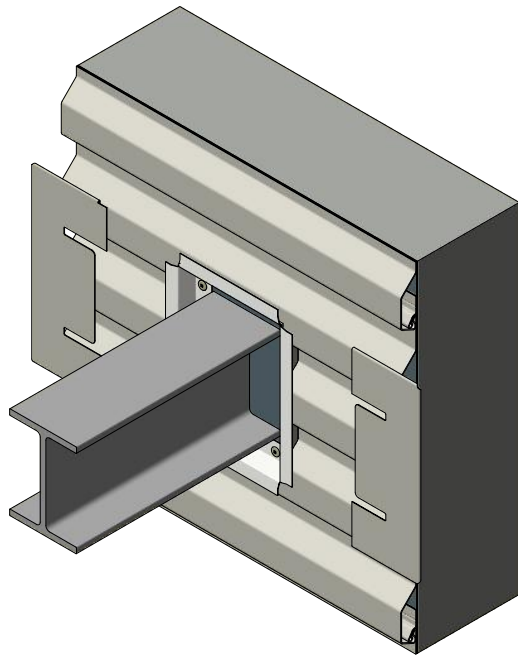


NOTE: Retrofit covers are beneficial when a standard one piece cover cannot be slid over the feature being flashed. The cover seam can either be oriented vertically (as shown) or horizontally.

If a pre-punched shape is needed on cover specify it's dimensions and location.



Order #

Vertical:

Horizontal:

For use with (Panel SKU):

or
Height (If specific size requested):

Alum: .032

Color:

Quantity:



ATAS INTERNATIONAL, INC
Allentown PA
610-395-8445
Mesa AZ
480-558-7210

TITLE			
Zee Box - Order Sheet - Retrofit Cover			
DWG. NO.	DR	PJR	DATE
	APP		04-25-16
MATERIAL		SH. SIZE	SCALE
		A	X:X

REV. NO.	DATE	DESCRIPTION OF REVISION	BY	APP