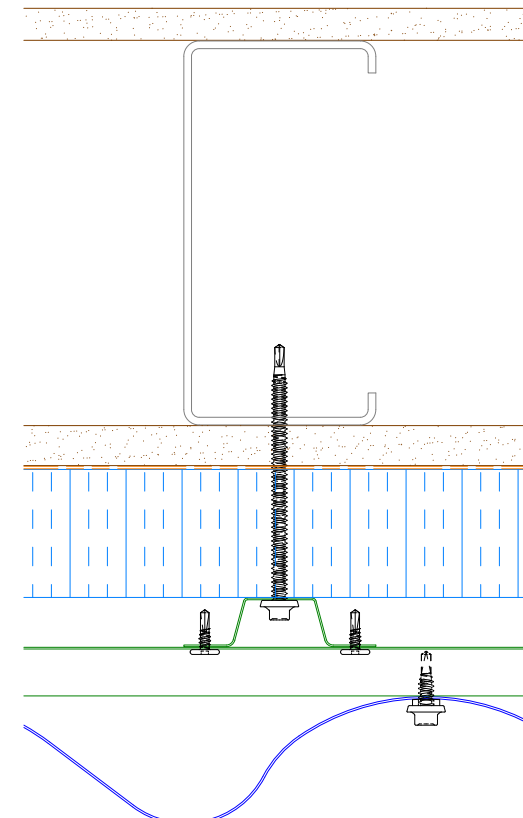
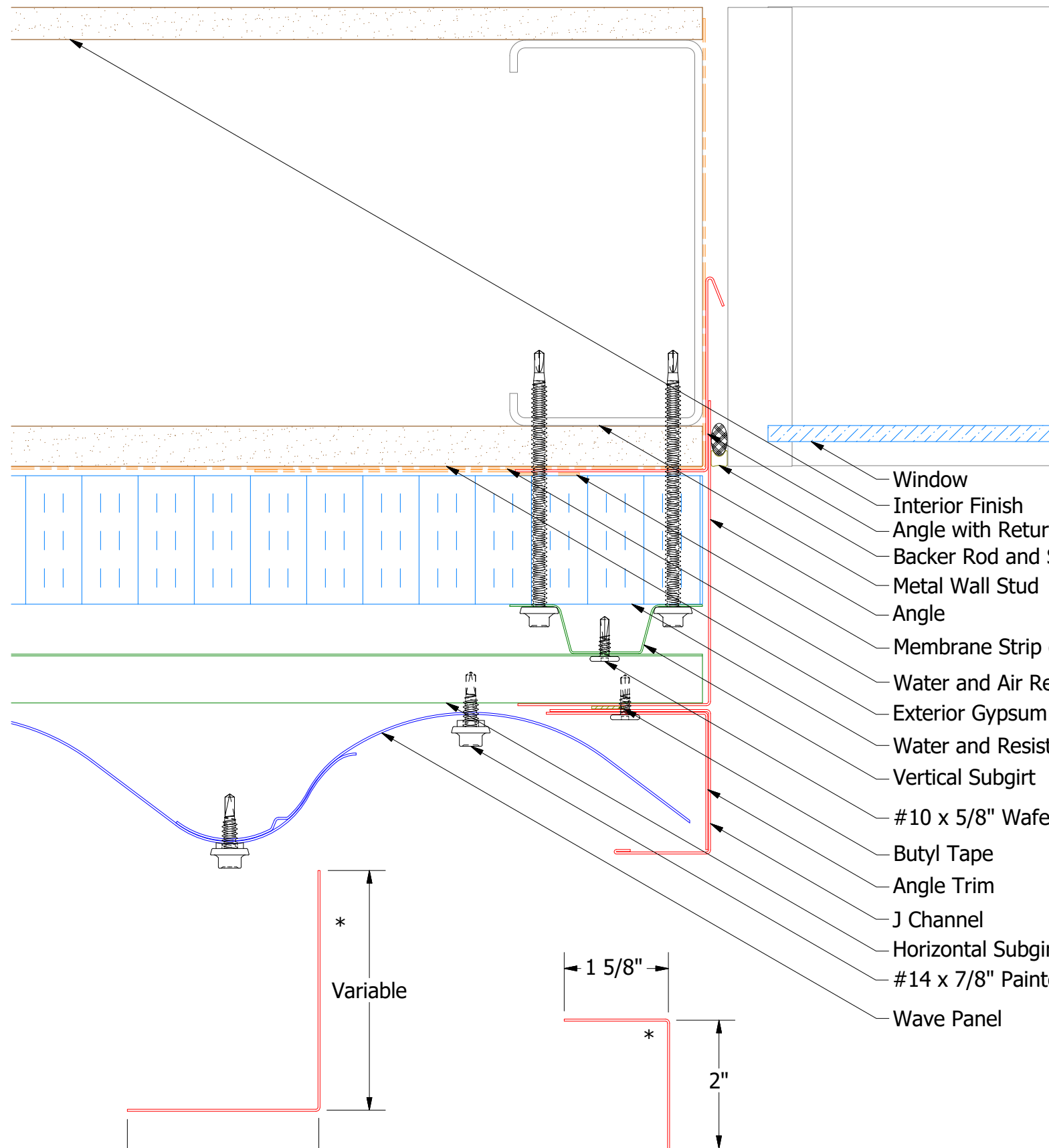
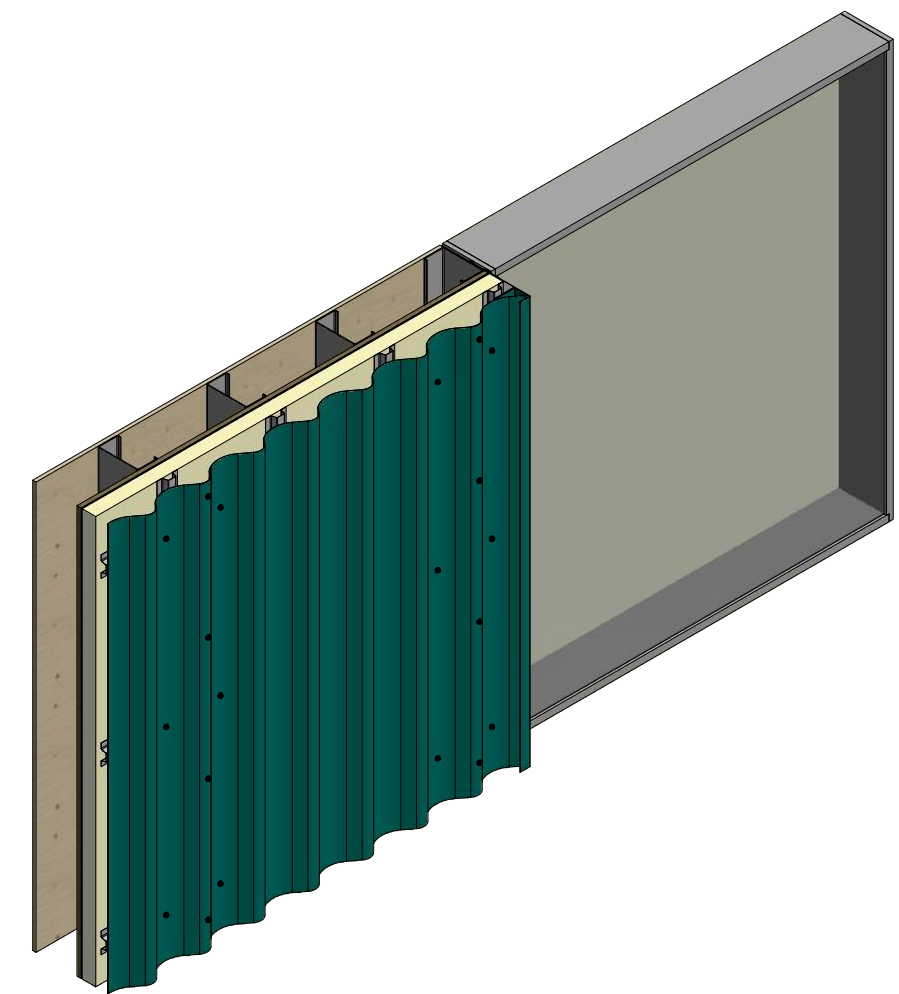


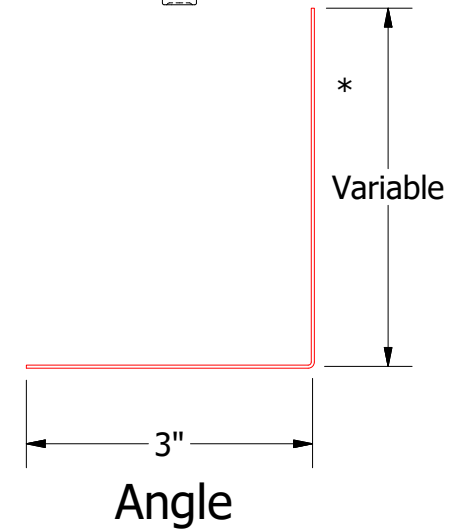
Vertical Panel



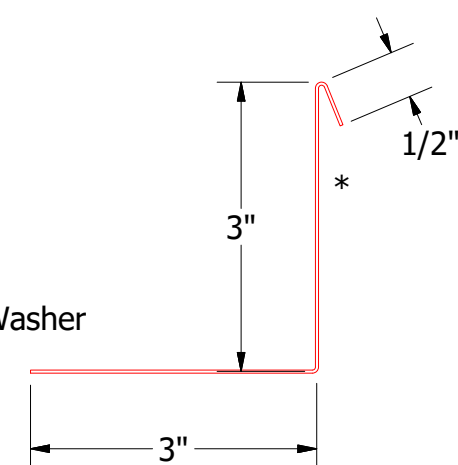
Alternate Subgirt Orientation (NTS)



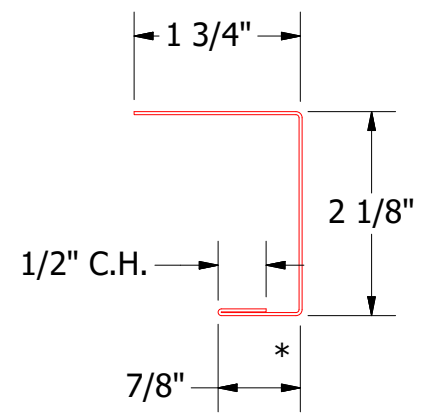
- Window
- Interior Finish
- Angle with Return
- Backer Rod and Sealant
- Metal Wall Stud
- Angle
- Membrane Strip over Angle with Return
- Water and Air Resistive Barrier
- Exterior Gypsum Board
- Water and Resistant Insulation
- Vertical Subgirt
- #10 x 5/8" Wafer Head Fastener
- Butyl Tape
- Angle Trim
- J Channel
- Horizontal Subgirt
- #14 x 7/8" Painted Hex Washer Head Fastener with Washer
- Wave Panel



BVA680-Angle Trim



BVA683-Angle with Return



BVA218-J Channel

2 Stage Method of Weather Proofing



ATAS INTERNATIONAL, INC
 Allentown PA
 610-395-8445
 Mesa AZ
 480-558-7210

TITLE		Wave Panel Jamb Detail	
DWG. NO.	DR	KRK	DATE 5/15/2015
MATERIAL	APP		DATE
REV. NO.	DATE	DESCRIPTION OF REVISION	BY APP
			SH. SIZE B SCALE X:X