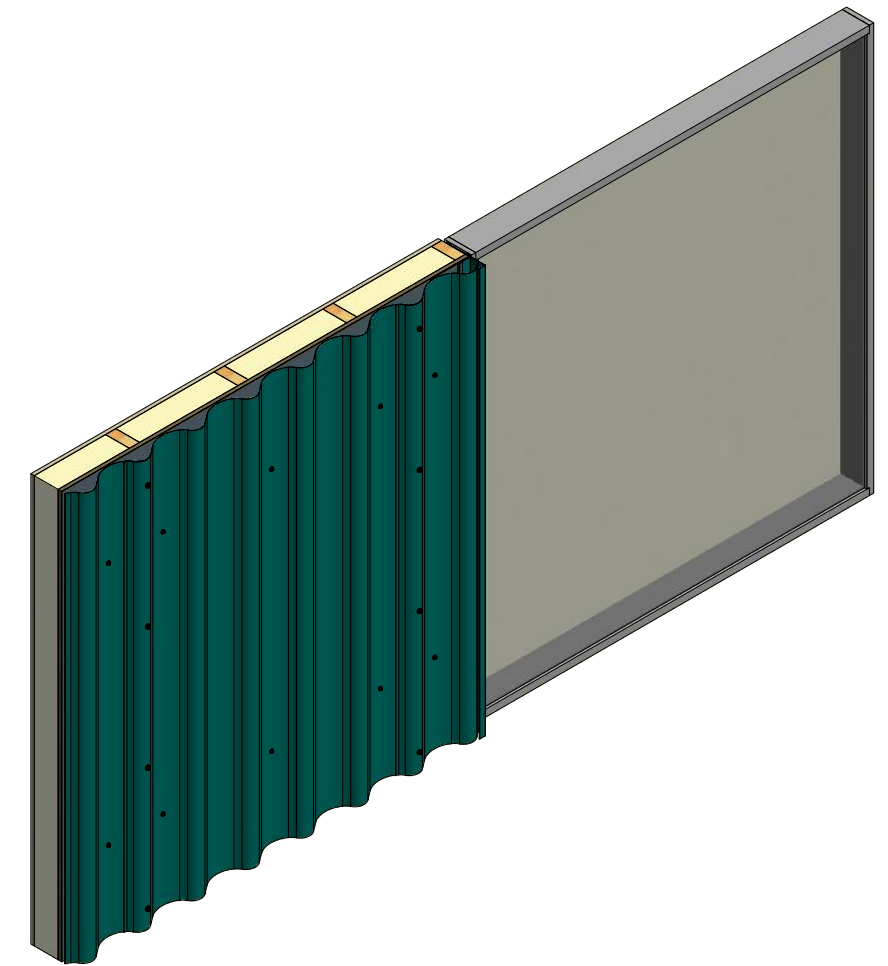
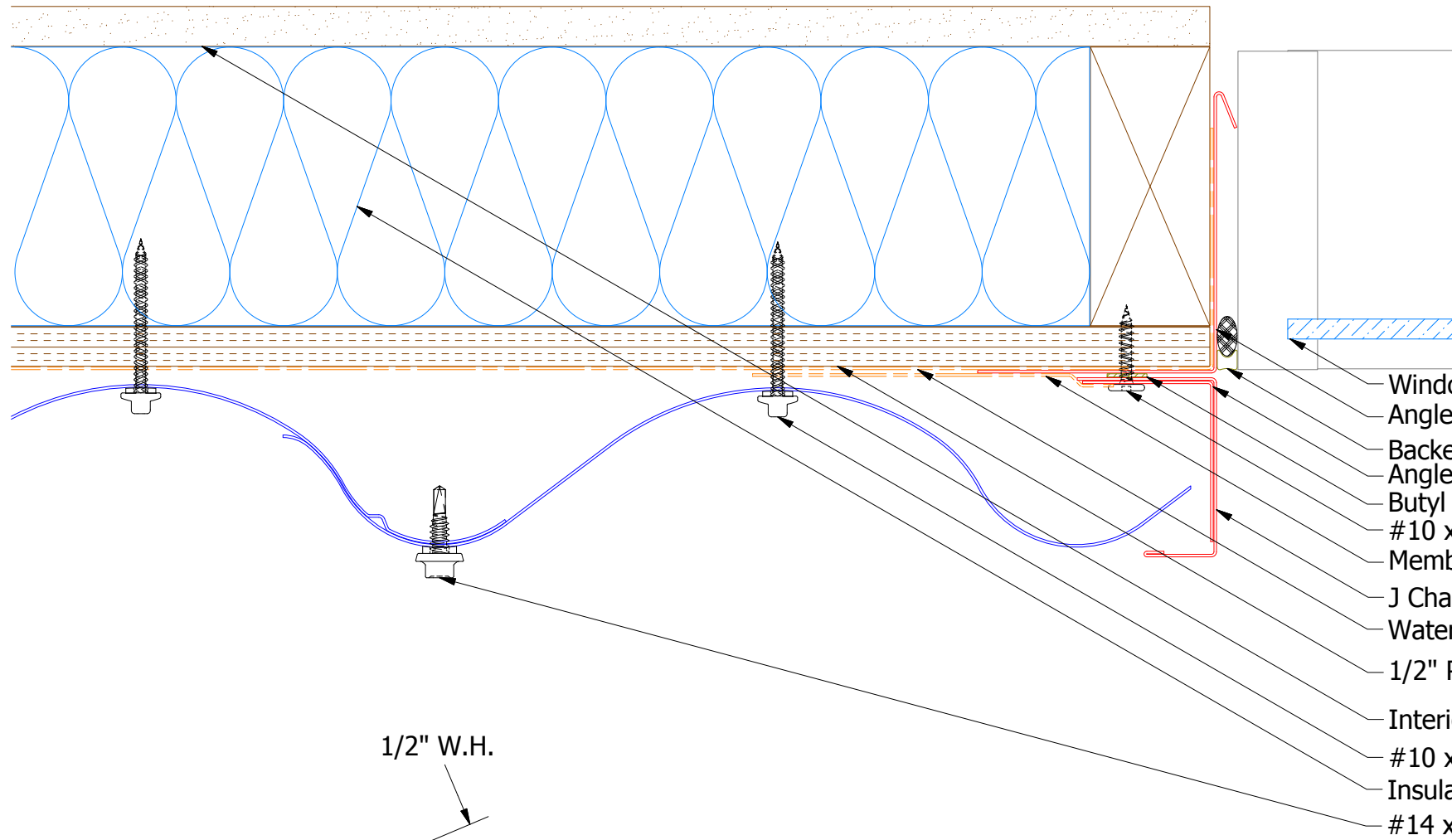
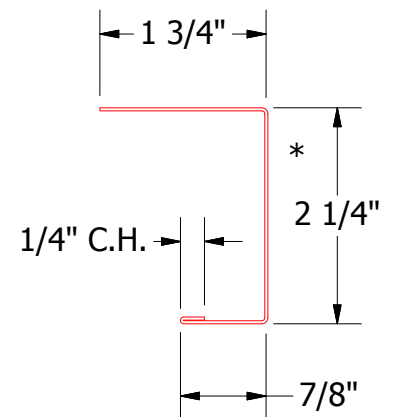


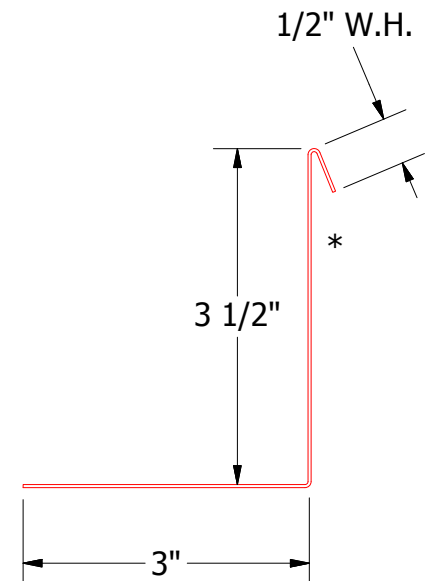
Vertical Panel



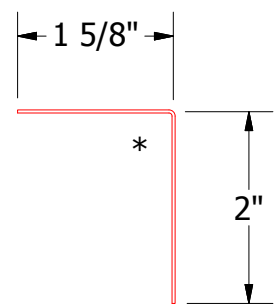
- Window
- Angle with Return
- Backer Rod and Sealant
- Angle Trim
- Butyl Tape
- #10 x 1" Wafer Head Screw
- Membrane Strip over J Channel and Angle Trim
- J Channel
- Water and Air Resistive Barrier
- 1/2" Plywood (min.)
- Interior Finish
- #10 x 2" Painted Hex Washer Head Screw with Washer
- Insulation
- #14 x 7/8" Painted Hex Washer Head Fastener with Washer



J Channel



Angle with Return



Angle Trim



Wave Panel Jamb Detail

REV. NO.	DATE	DESCRIPTION OF REVISION	BY	APP	TITLE	DR	DATE
					Wave Panel Jamb Detail	DMR	8/31/2016
						APP	DATE
						SH. SIZE	SCALE
						B	X:X