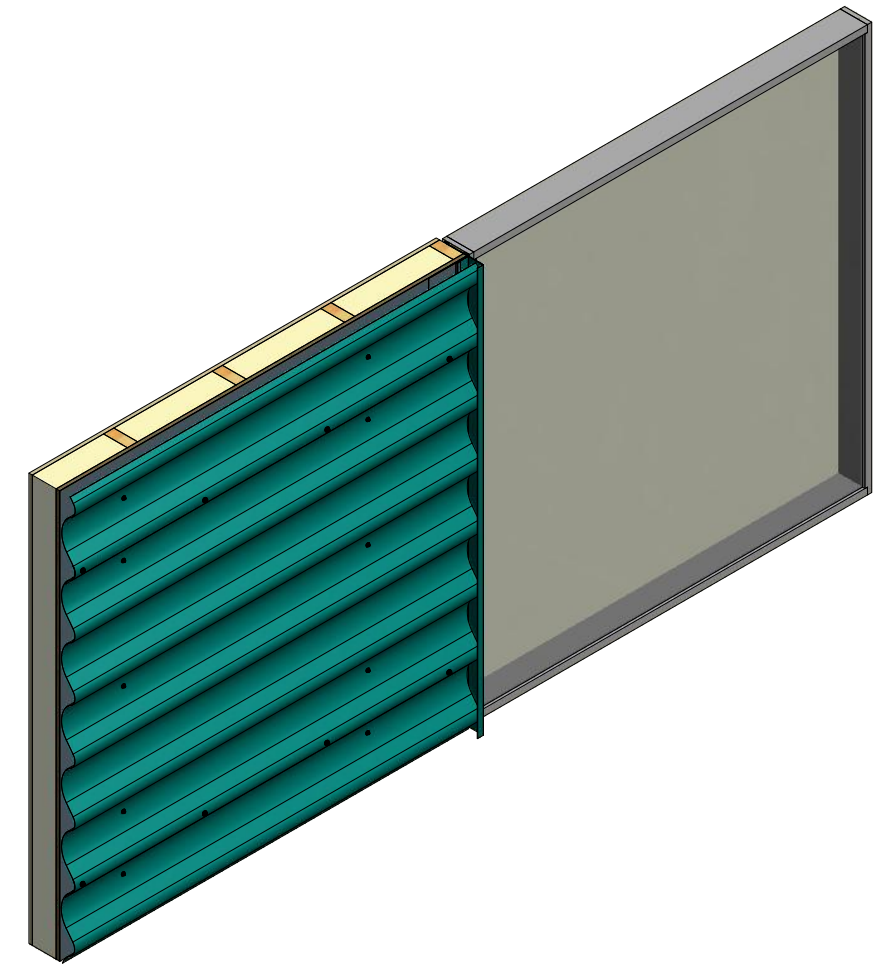
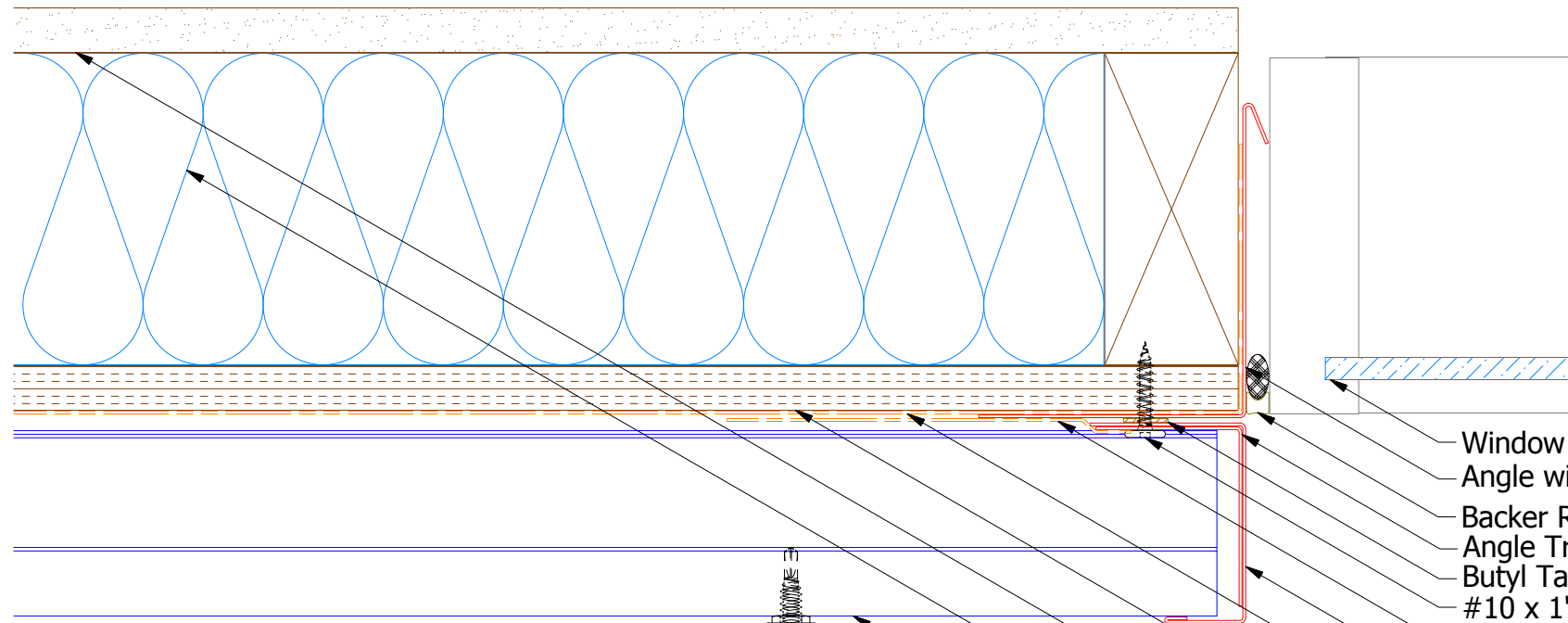
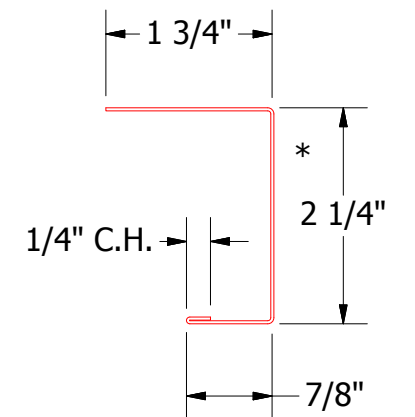


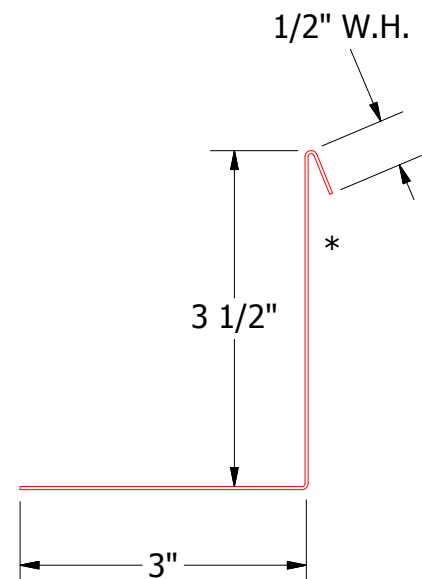
Horizontal Panel



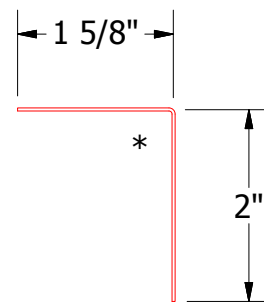
- Window
- Angle with Return
- Backer Rod and Sealant
- Angle Trim
- Butyl Tape
- #10 x 1" Wafer Head Screw
- Membrane Strip over J Channel and Angle Trim
- J Channel
- Water and Air Resistive Barrier
- 1/2" Plywood (min.)
- Interior Finish
- Insulation
- Wave Panel
- #14 x 7/8" Painted Hex Washer Head Fastener with Washer



J Channel



Angle with Return



Angle Trim

ATAS ATAS INTERNATIONAL, INC
 Allentown PA
 610-395-8445
 Mesa AZ
 480-558-7210

TITLE		Wave Panel Jamb Detail	
DWG. NO.	DR	DATE	8/31/2016
	DMR	DATE	
MATERIAL	APP	DATE	
SH. SIZE	B	SCALE	X:X

REV. NO.	DATE	DESCRIPTION OF REVISION	BY	APP