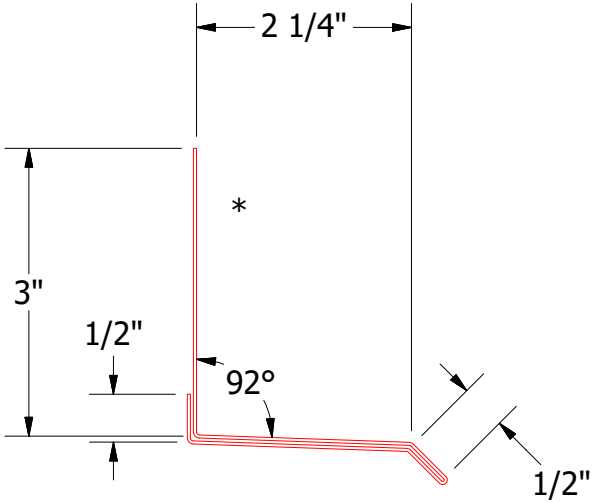
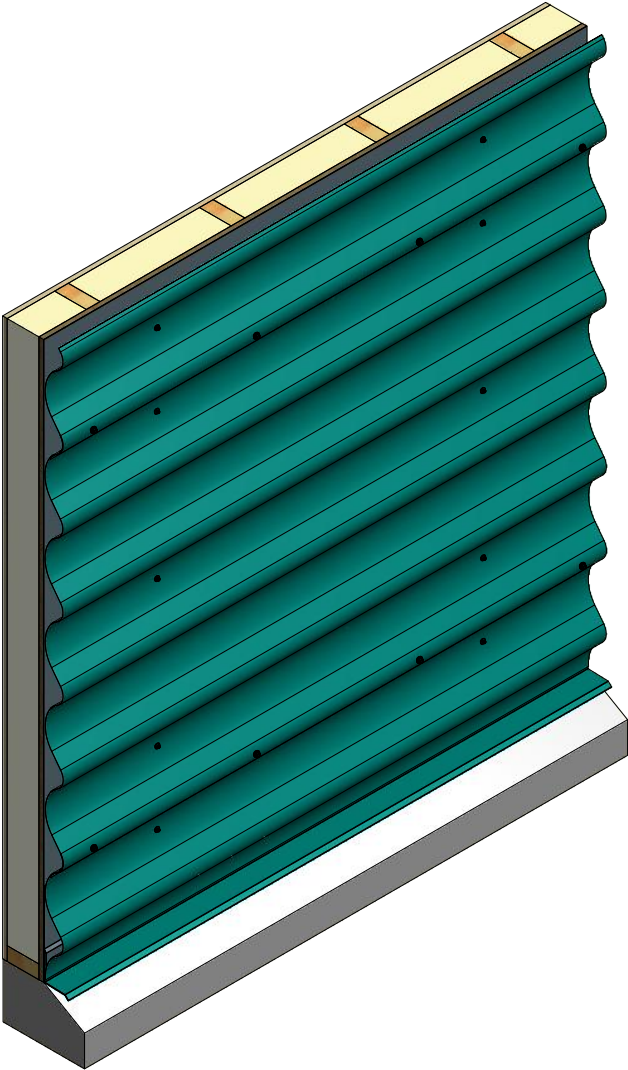
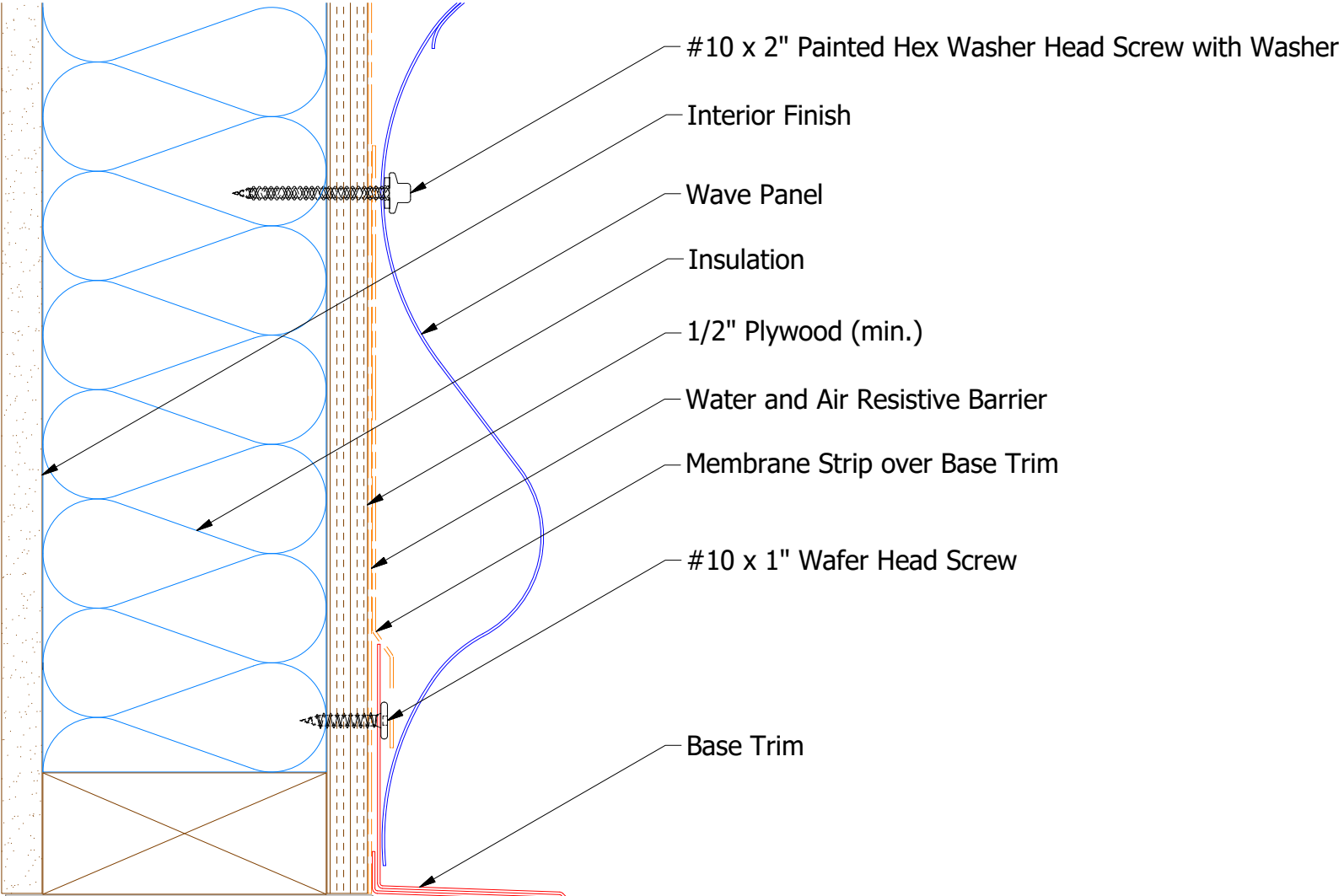


Horizontal Panel



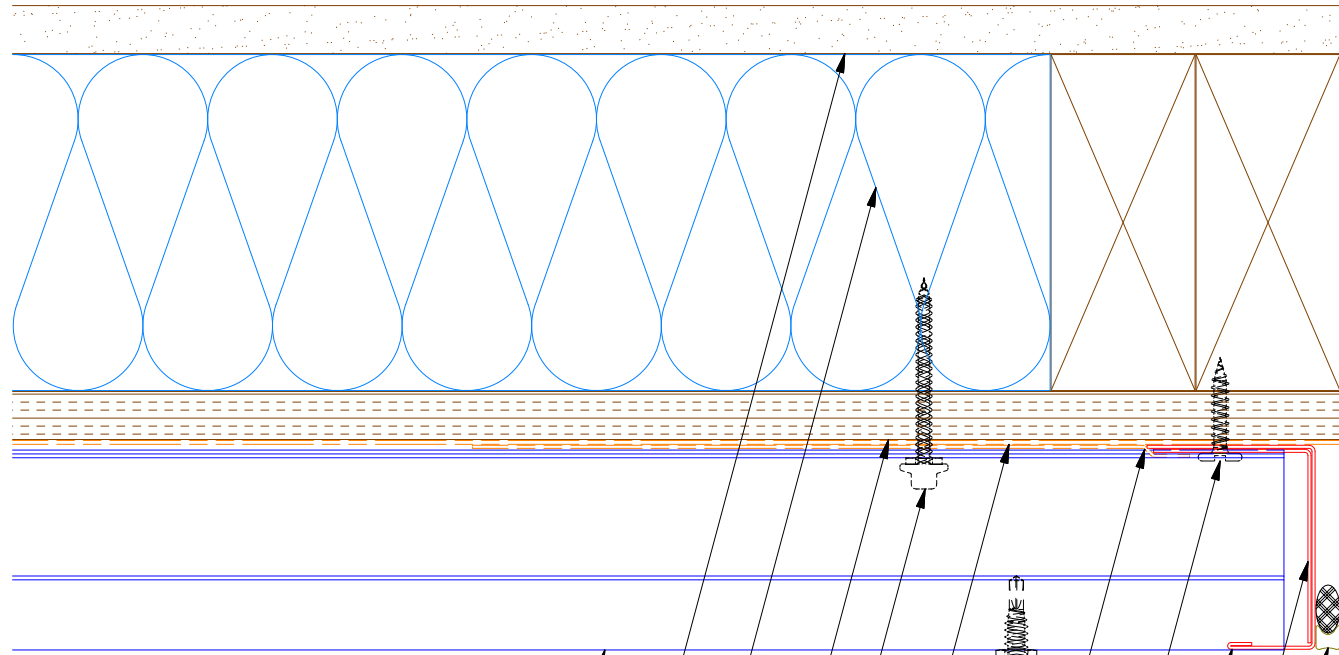
BVA661- Base Trim


ATAS INTERNATIONAL, INC
 Allentown PA
 610-395-8445
 Mesa AZ
 480-558-7210

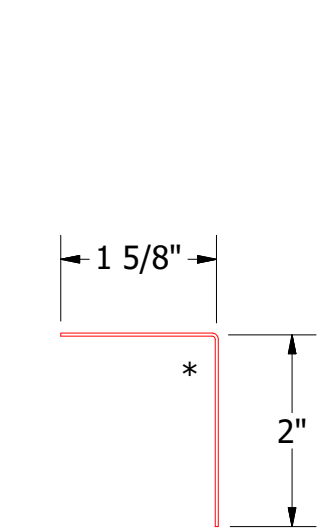
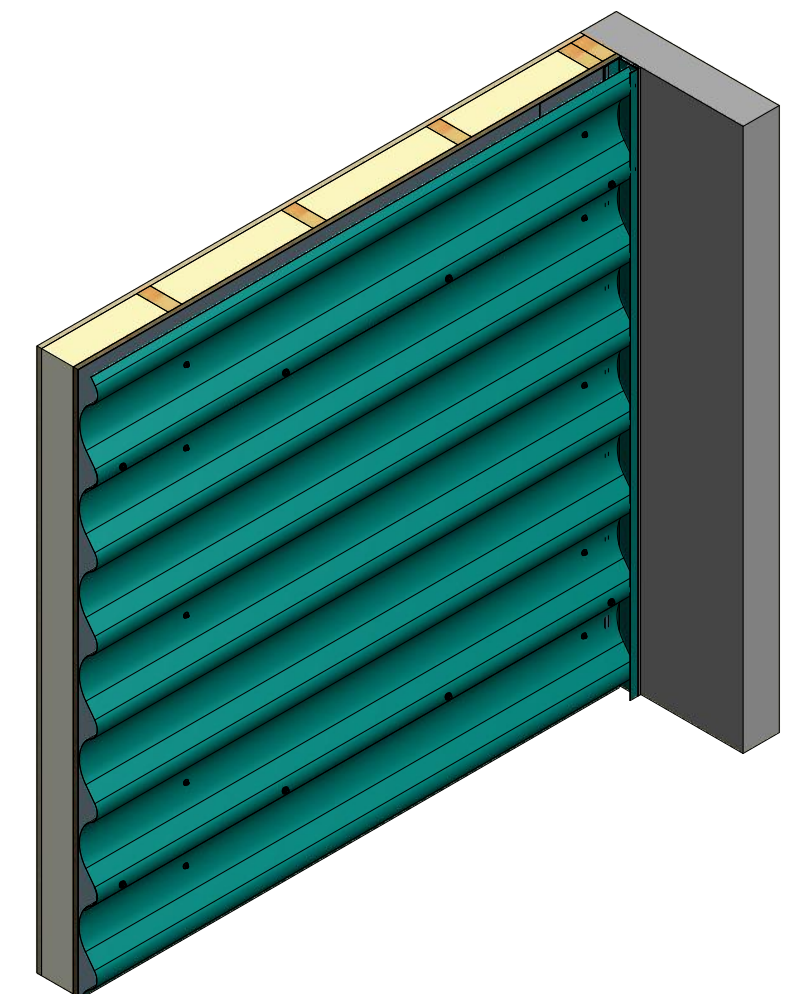
TITLE				Wave Panel Base Detail	
DWG. NO.		DR		DATE	
		DMR		8/30/2016	
MATERIAL		APP		DATE	
		SH. SIZE		SCALE	
		B		X:X	

REV. NO.	DATE	DESCRIPTION OF REVISION	BY	APP

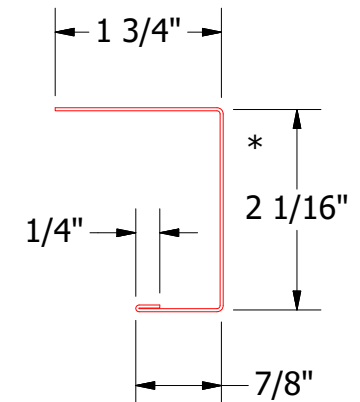
Horizontal Panel



- Wave Panel
- Interior Finish
- Insulation
- 1/2" Plywood (min.)
- #10 x 2" Painted Hex Washer Head Screw with Washer
- Water and Air Resistive Barrier
- #14 x 7/8" Painted Hex Washer Head Fastener with Washer
- Membrane Strip over J Channel and Angle Trim
- #10 x 1" Wafer Head Screw
- J Channel
- Angle Trim
- Backer Rod and Sealant



Angle Trim



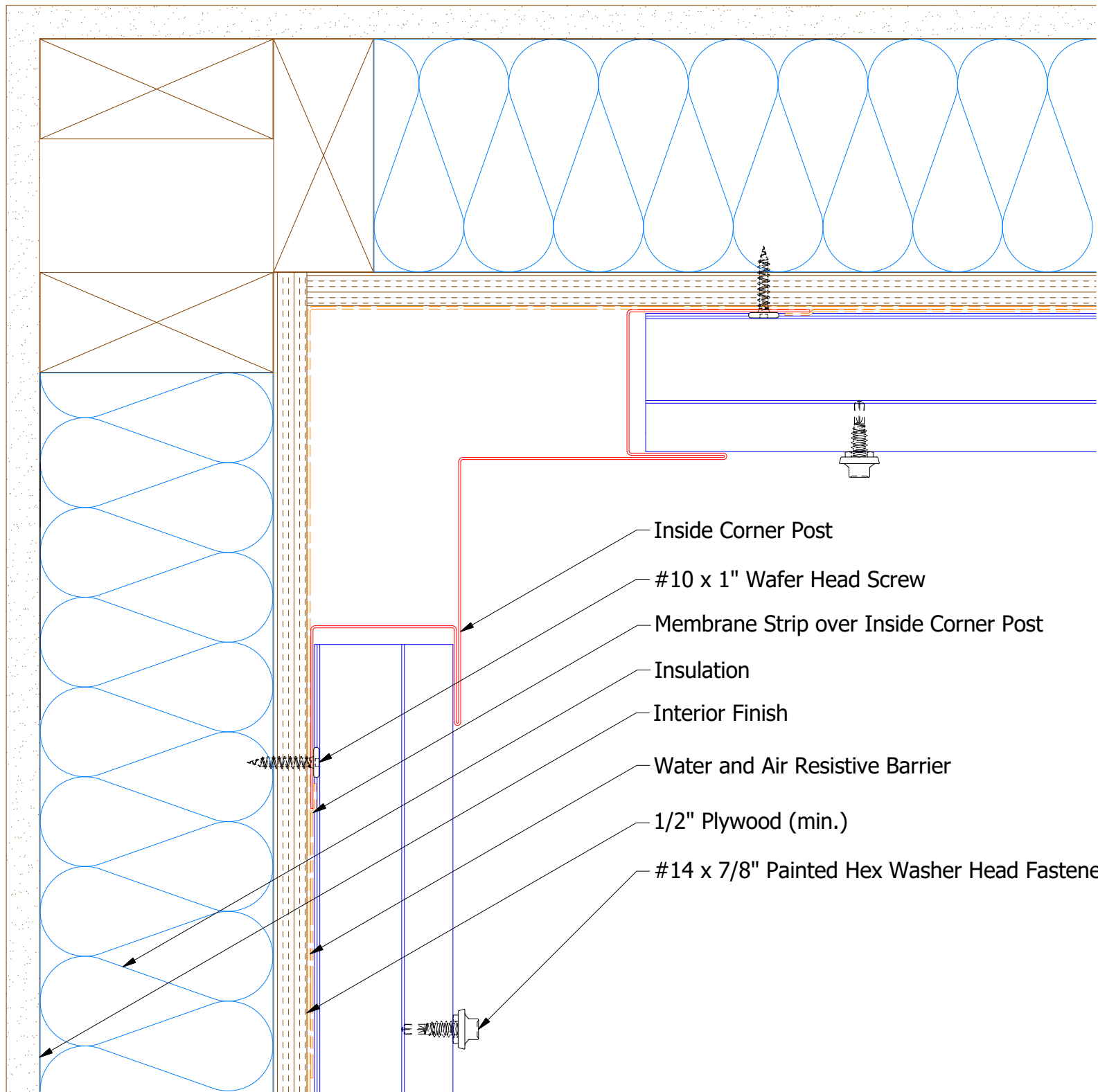
J Closure

ATAS ATAS INTERNATIONAL, INC
 Allentown PA
 610-395-8445
 Mesa AZ
 480-558-7210

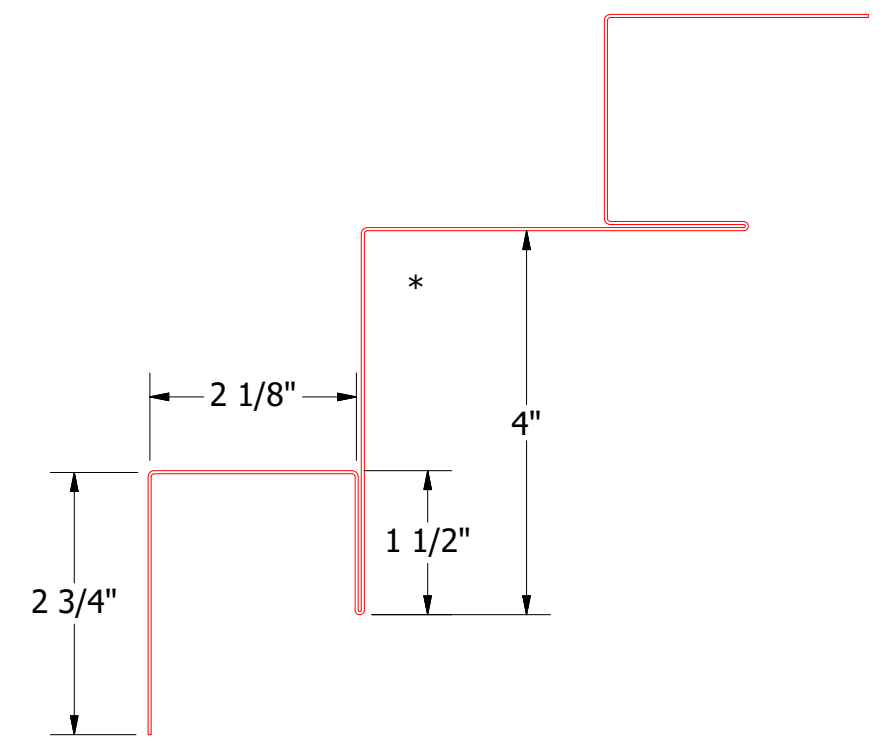
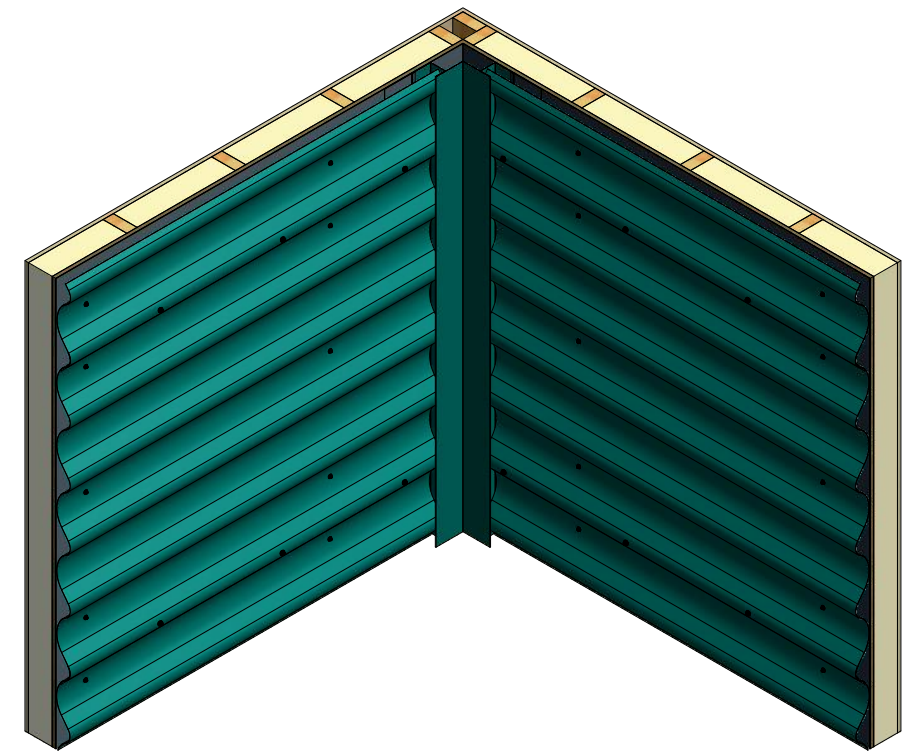
TITLE Wave Panel Endwall Detail

REV. NO.	DATE	DESCRIPTION OF REVISION	BY	APP	DWG. NO.	DR	DATE
						DMR	8/30/2016
						APP	DATE
					MATERIAL	SH. SIZE	SCALE
						B	X:X

Horizontal Panel



- Inside Corner Post
- #10 x 1" Wafer Head Screw
- Membrane Strip over Inside Corner Post
- Insulation
- Interior Finish
- Water and Air Resistive Barrier
- 1/2" Plywood (min.)
- #14 x 7/8" Painted Hex Washer Head Fastener with Washer

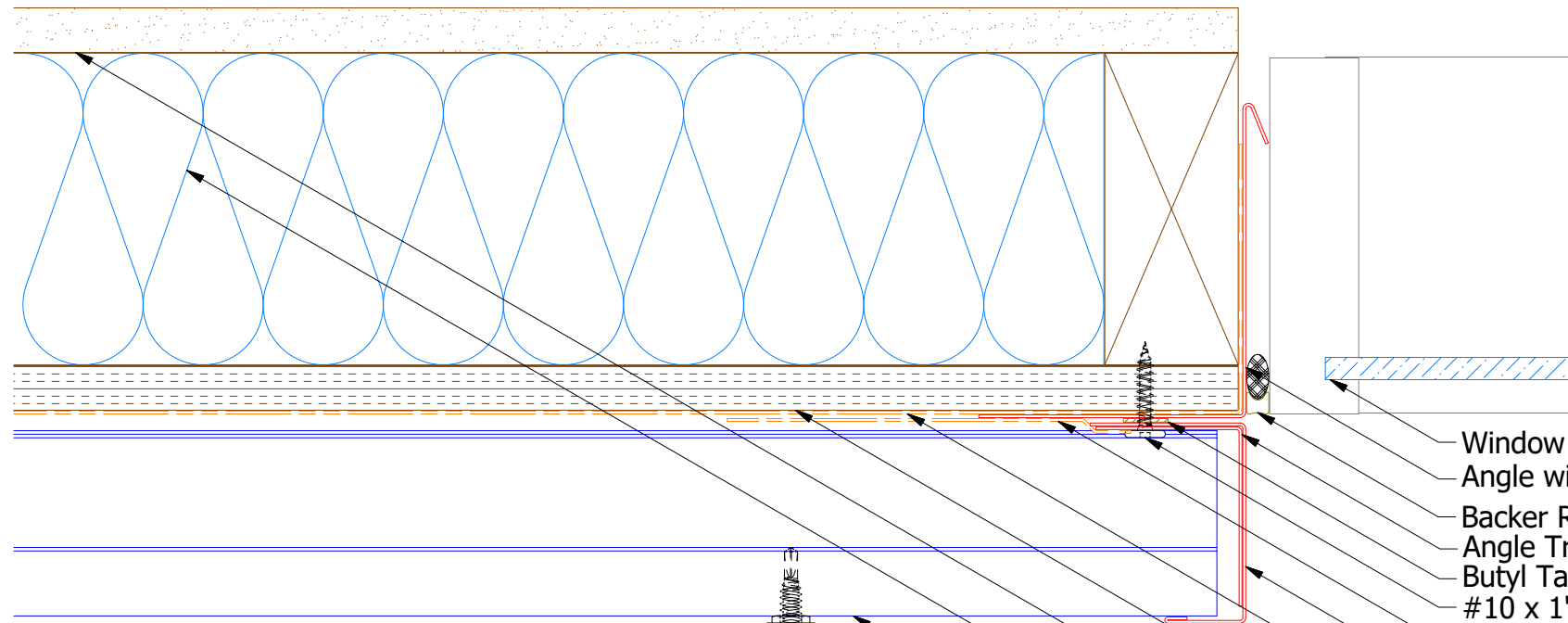


Inside Corner Post

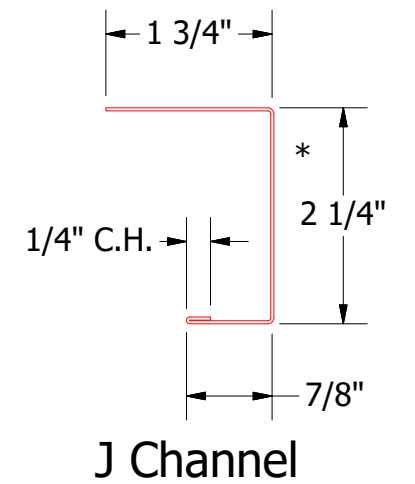
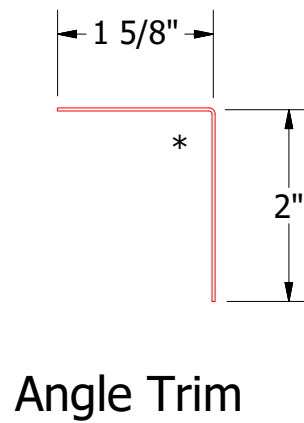
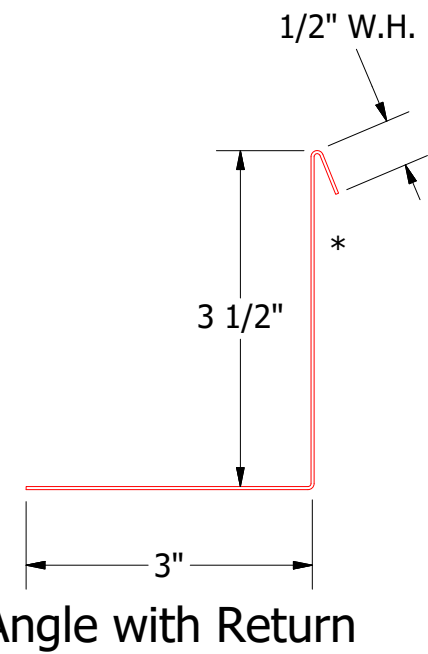
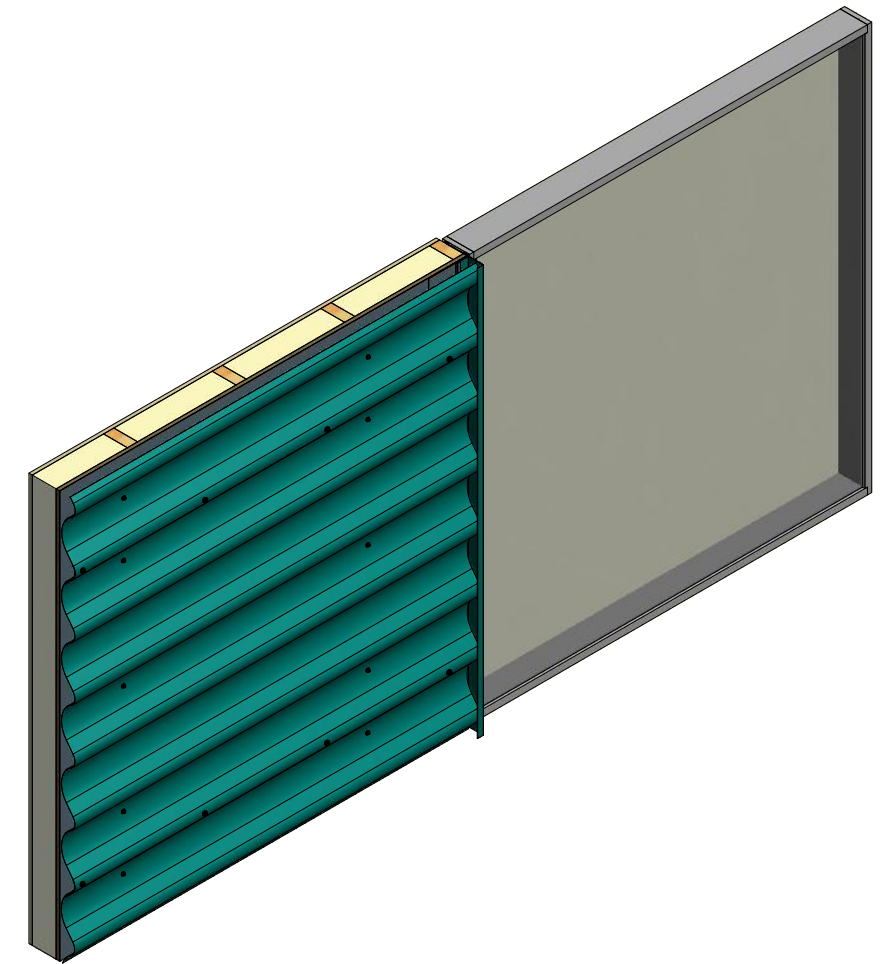

ATAS INTERNATIONAL, INC
 Allentown PA
 610-395-8445
 Mesa AZ
 480-558-7210

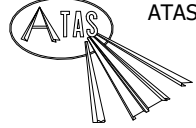
REV. NO.		DATE	DESCRIPTION OF REVISION	BY	APP	TITLE	
						Wave Panel Inside Corner Detail	
DWG. NO.		DR	DMR	DATE	8/31/2016		
MATERIAL		APP		DATE			
		SH. SIZE	B	SCALE	X:X		

Horizontal Panel



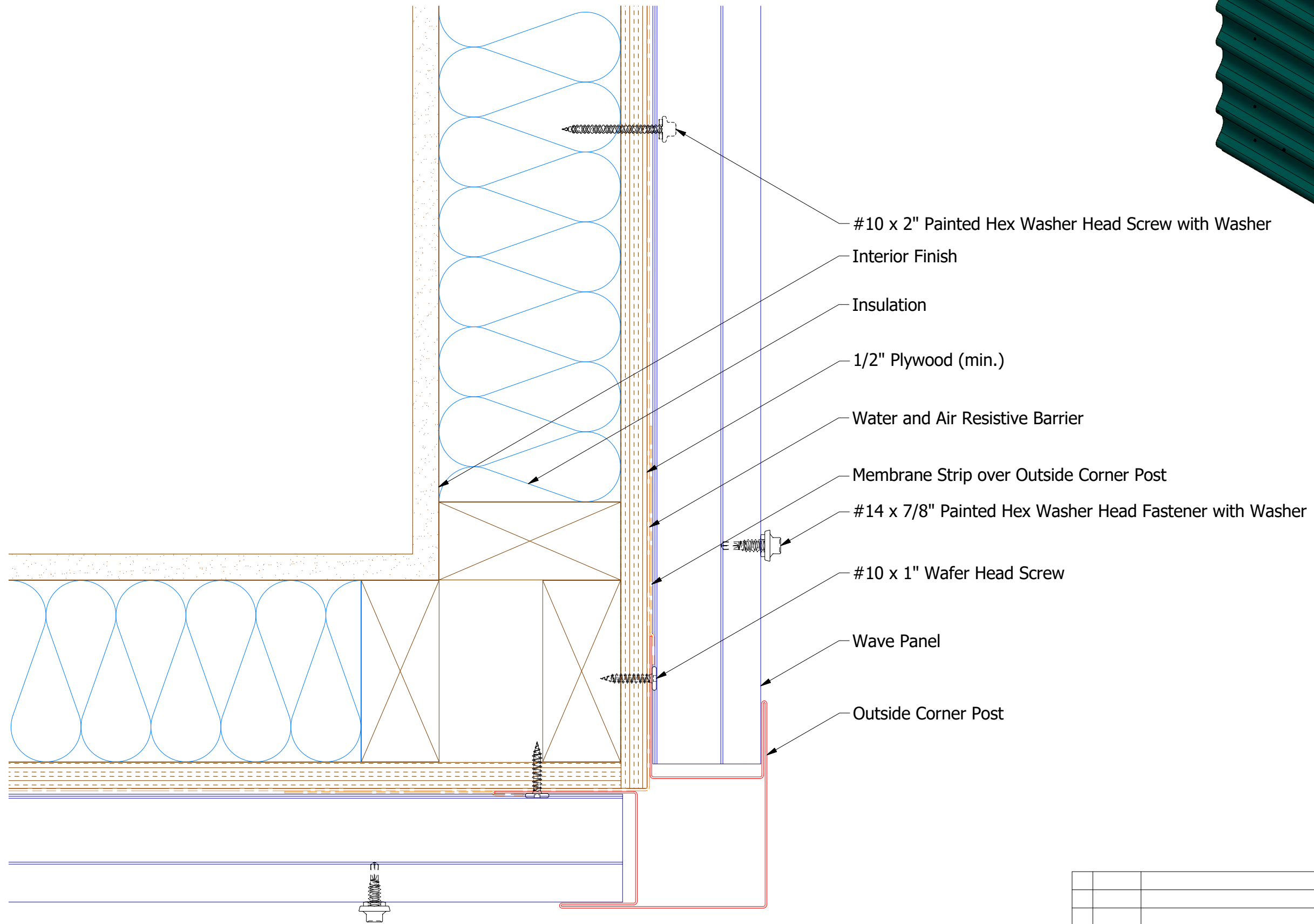
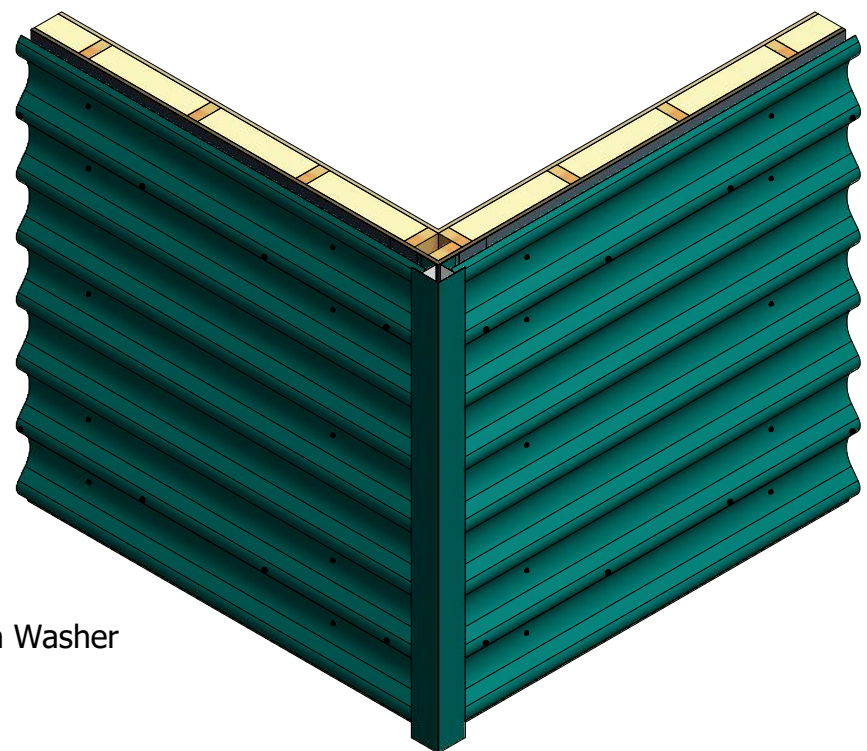
- Window
- Angle with Return
- Backer Rod and Sealant
- Angle Trim
- Butyl Tape
- #10 x 1" Wafer Head Screw
- Membrane Strip over J Channel and Angle Trim
- J Channel
- Water and Air Resistive Barrier
- 1/2" Plywood (min.)
- Interior Finish
- Insulation
- Wave Panel
- #14 x 7/8" Painted Hex Washer Head Fastener with Washer



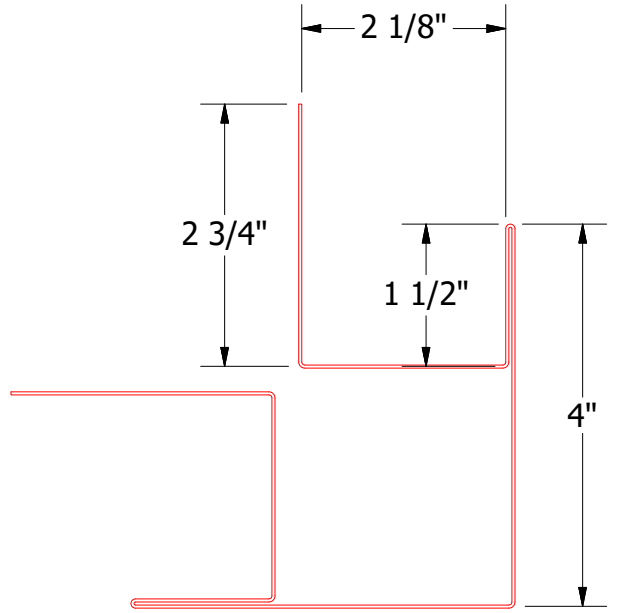
 ATAS INTERNATIONAL, INC Allentown PA 610-395-8445 Mesa AZ 480-558-7210		TITLE	
		Wave Panel Jamb Detail	
DWG. NO.	DR	DATE	
APP	DMR	8/31/2016	
MATERIAL	SH. SIZE	SCALE	
	B	X:X	

REV. NO.	DATE	DESCRIPTION OF REVISION	BY	APP

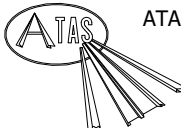
Horizontal Panel



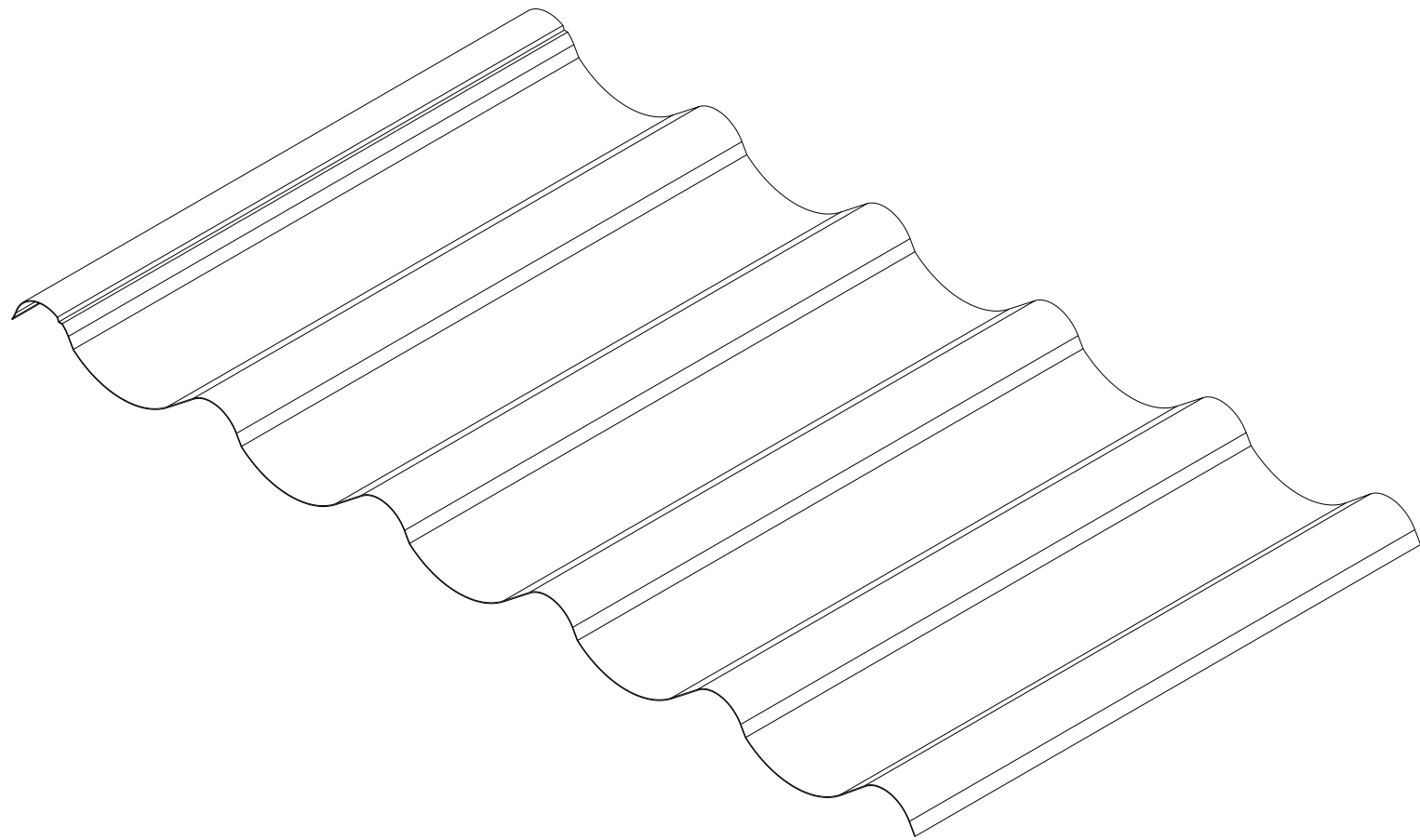
- #10 x 2" Painted Hex Washer Head Screw with Washer
- Interior Finish
- Insulation
- 1/2" Plywood (min.)
- Water and Air Resistive Barrier
- Membrane Strip over Outside Corner Post
- #14 x 7/8" Painted Hex Washer Head Fastener with Washer
- #10 x 1" Wafer Head Screw
- Wave Panel
- Outside Corner Post



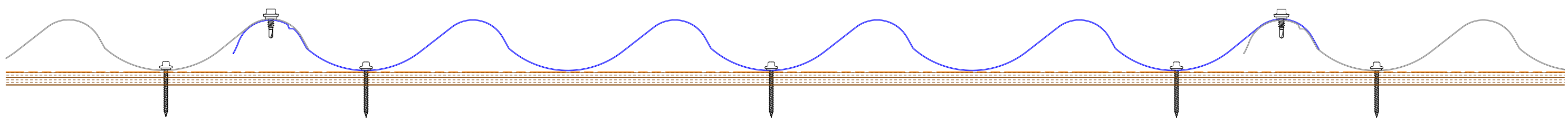
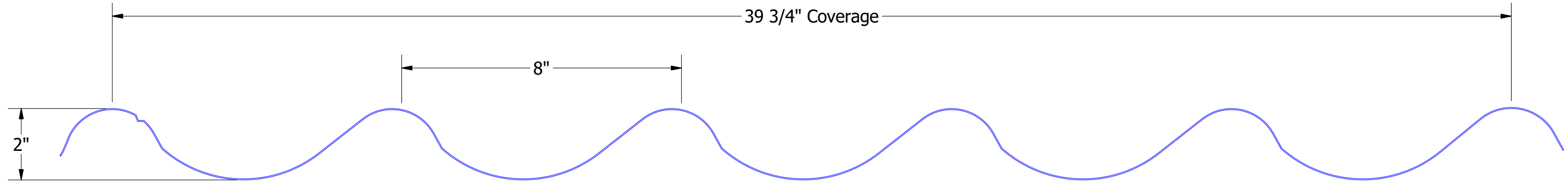
Outside Corner Post

 ATAS INTERNATIONAL, INC Allentown PA 610-395-8445 Mesa AZ 480-558-7210		TITLE	
		Wave Panel Outside Corner Detail	
DWG. NO.	DR	DATE	
	DMR	8/31/2016	
MATERIAL	APP	DATE	
	SH. SIZE	B	SCALE X:X

REV. NO.	DATE	DESCRIPTION OF REVISION	BY	APP



39 3/4" Coverage

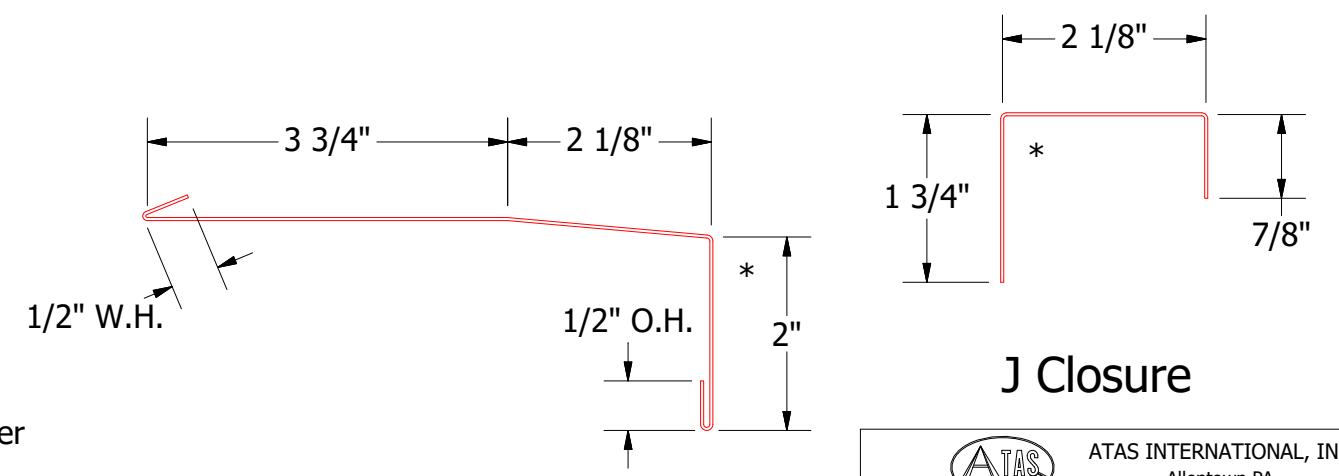
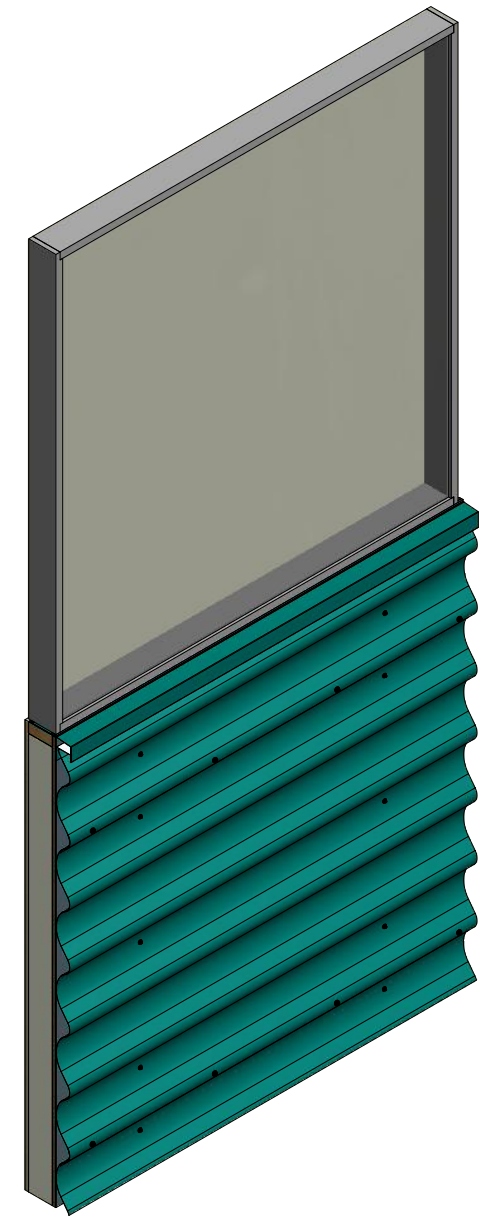
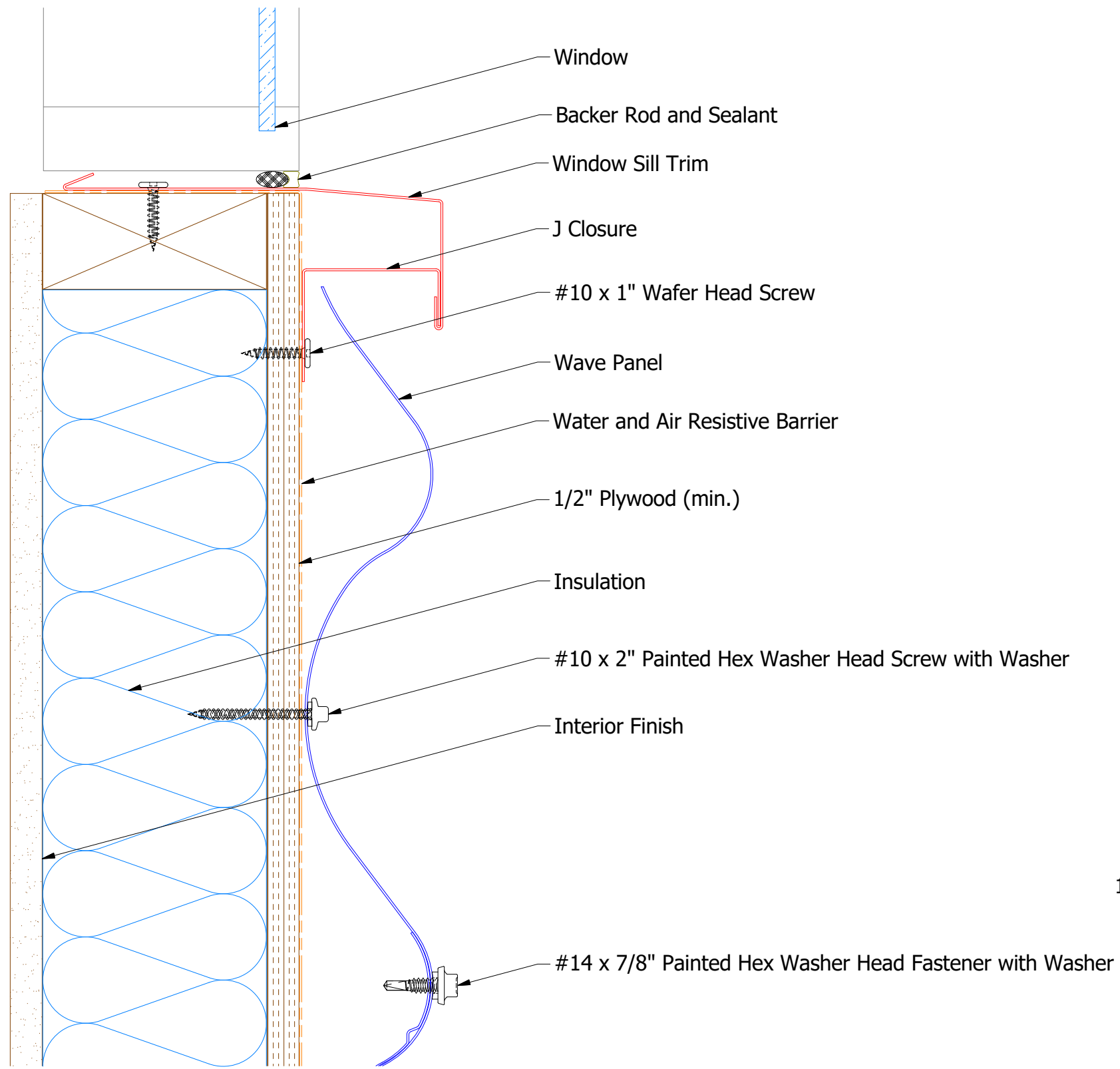


ATAS INTERNATIONAL, INC
 Allentown PA
 610-395-8445
 Mesa AZ
 480-558-7210

TITLE		Wave Panel Profile Detail	
DWG. NO.	DR	DATE	12/29/2017
	KRK	APP	DATE
MATERIAL	SH. SIZE	B	SCALE
			X:X

REV. NO.	DATE	DESCRIPTION OF REVISION	BY	APP

Horizontal Panel



Window Sill Trim

J Closure


ATAS INTERNATIONAL, INC
 Allentown PA
 610-395-8445
 Mesa AZ
 480-558-7210

TITLE				Wave Panel Window Sill Detail			
REV. NO.		DATE		DESCRIPTION OF REVISION		BY APP	
DWG. NO.		DR		DATE		DATE	
MATERIAL		APP		SH. SIZE		SCALE	
		DMR		B		X:X	
						9/1/2016	