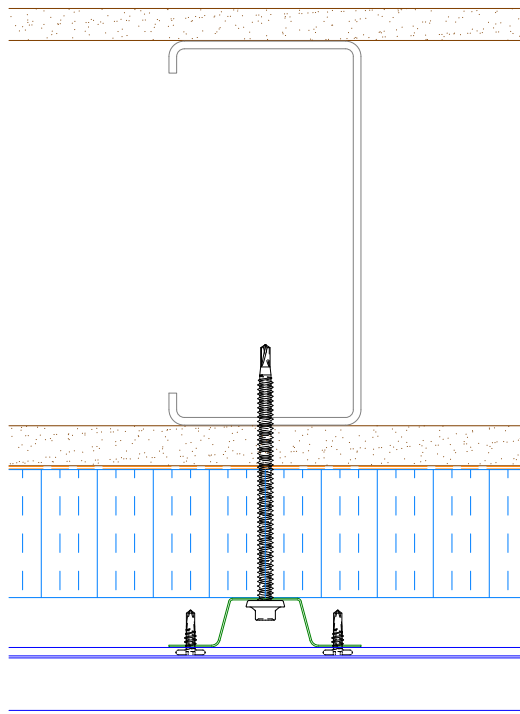
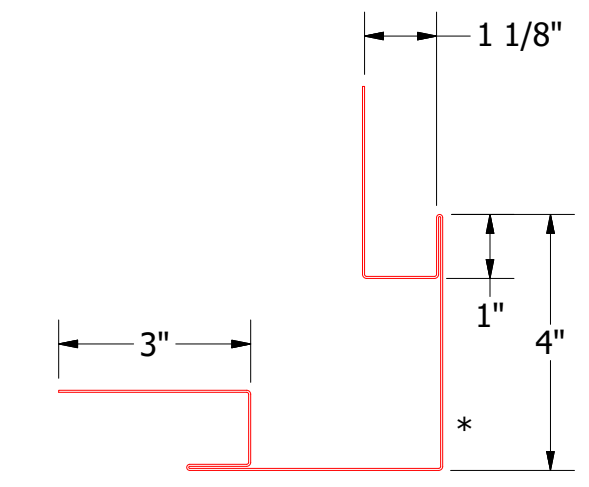
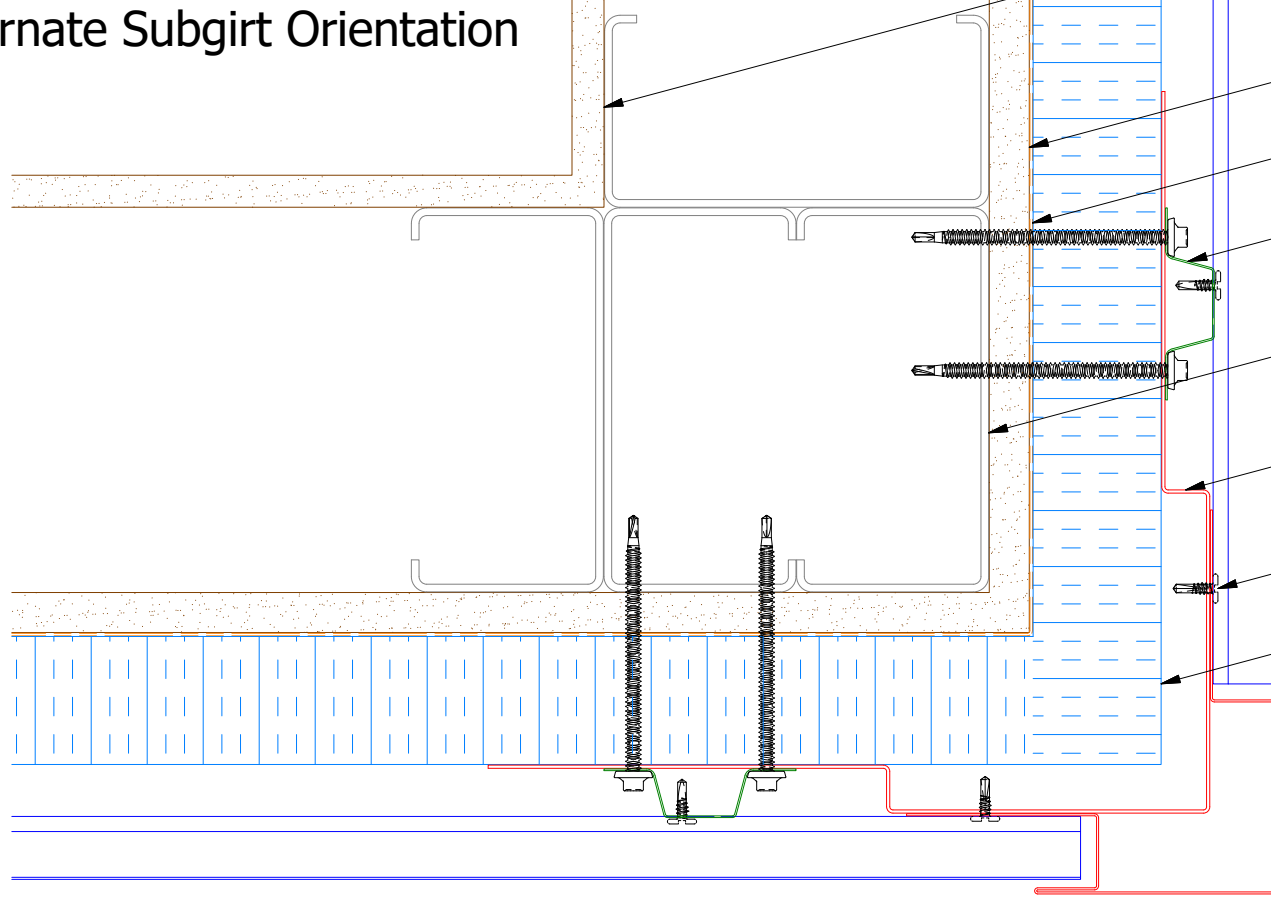


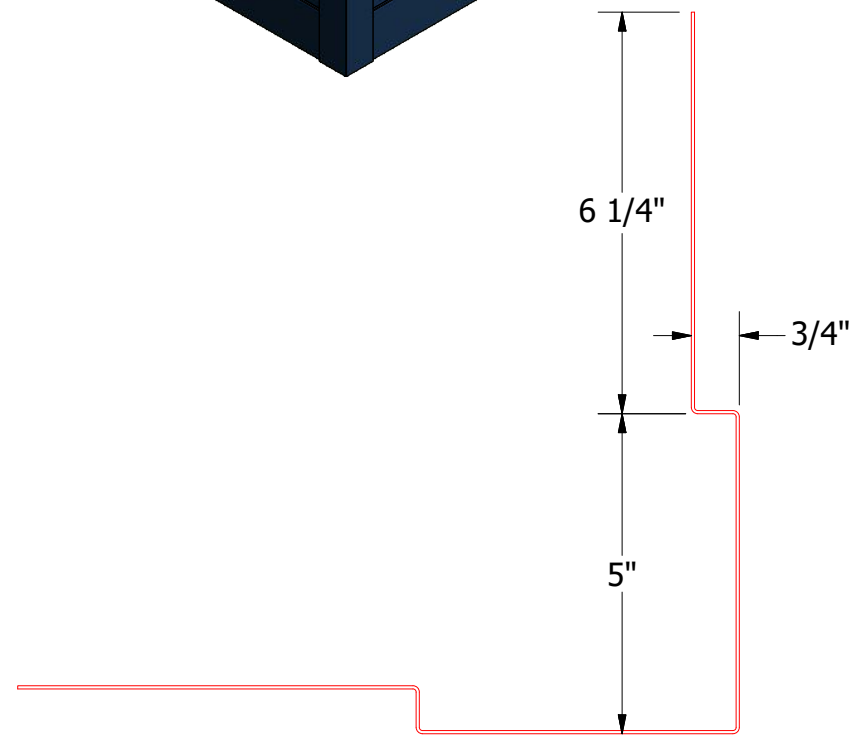
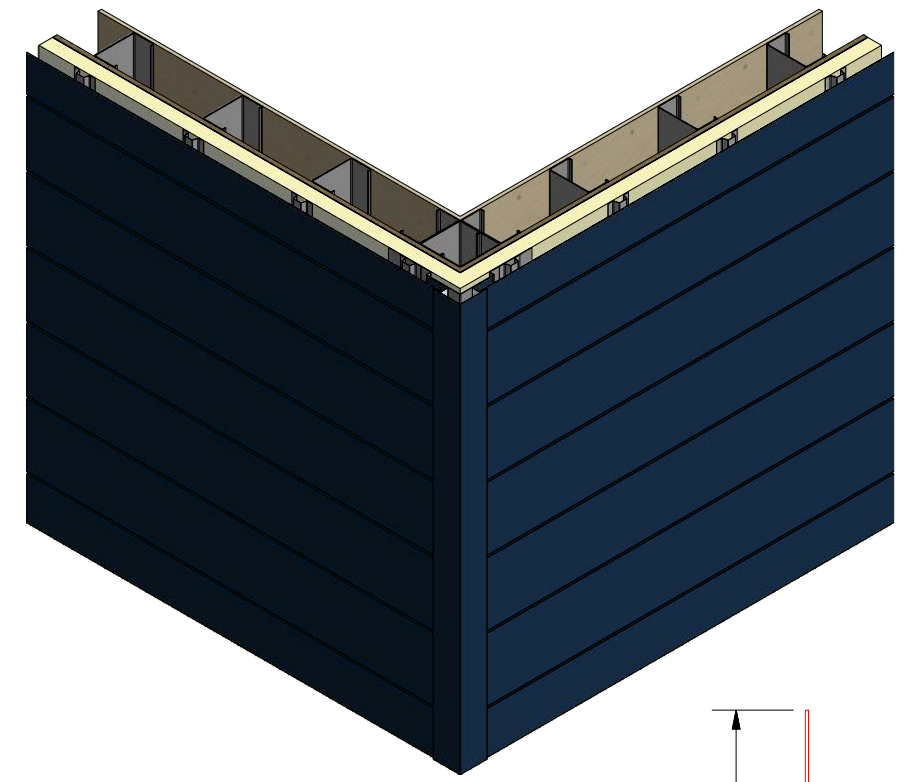
# Horizontal Panel



# Alternate Subgirt Orientation



VSA602-Outside Corner Post



Support Plate

**NOTE:** Optional 18 GA. Plate for Outside Corner Post is Available

## 2 Stage Method of Weather Proofing


**ATAS INTERNATIONAL, INC**  
 Allentown PA  
 610-395-8445  
 Mesa AZ  
 480-558-7210

TITLE				Versa-Seam Outside Corner Detail	
DWG. NO.		DR	KRK	DATE	7/28/2014
		APP		DATE	
REV. NO.	DATE	DESCRIPTION OF REVISION	BY	APP	
MATERIAL				SH. SIZE	B
				SCALE	X:X