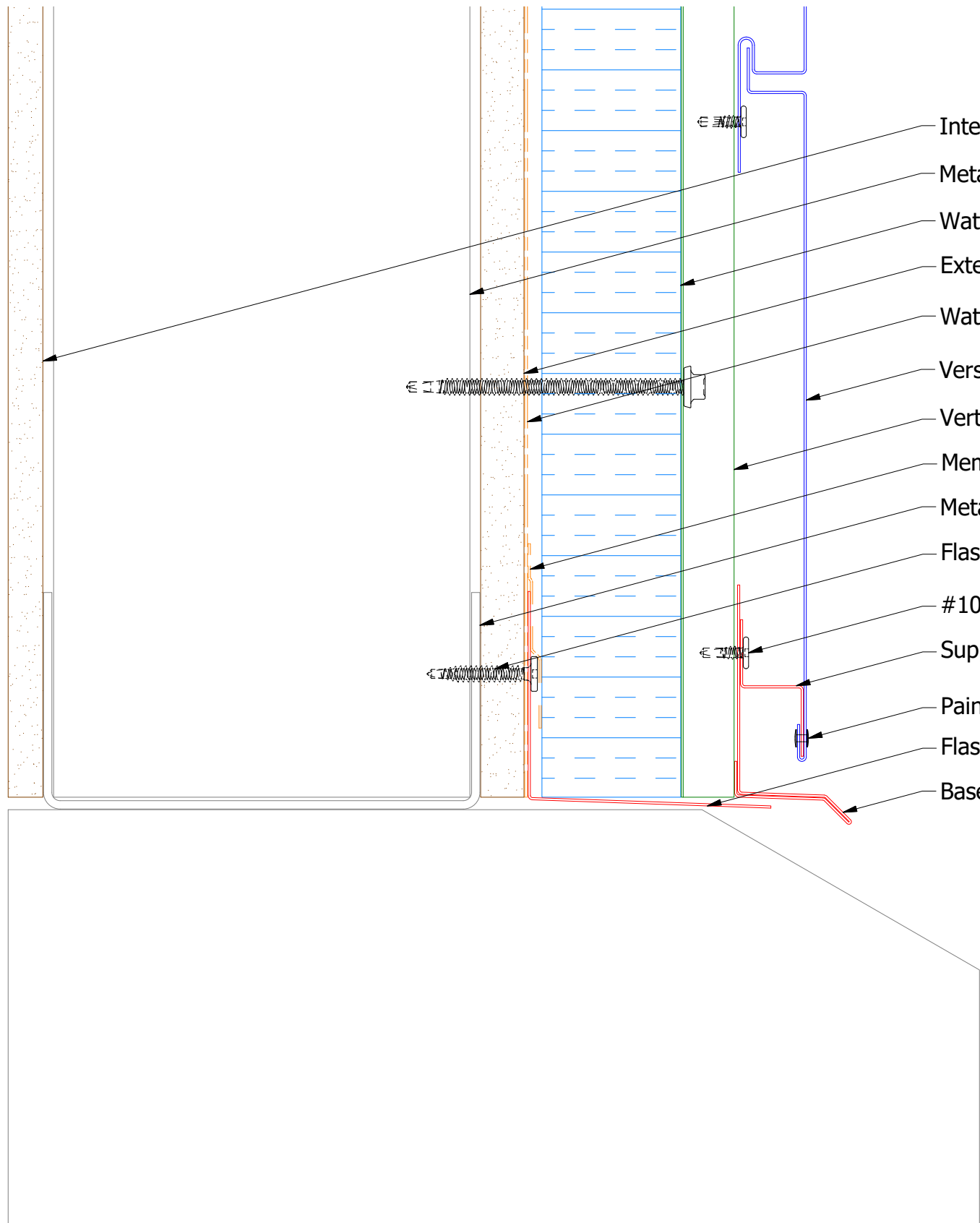
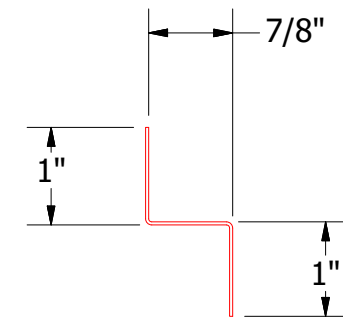


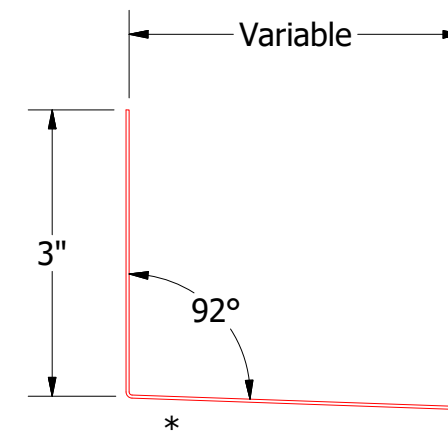
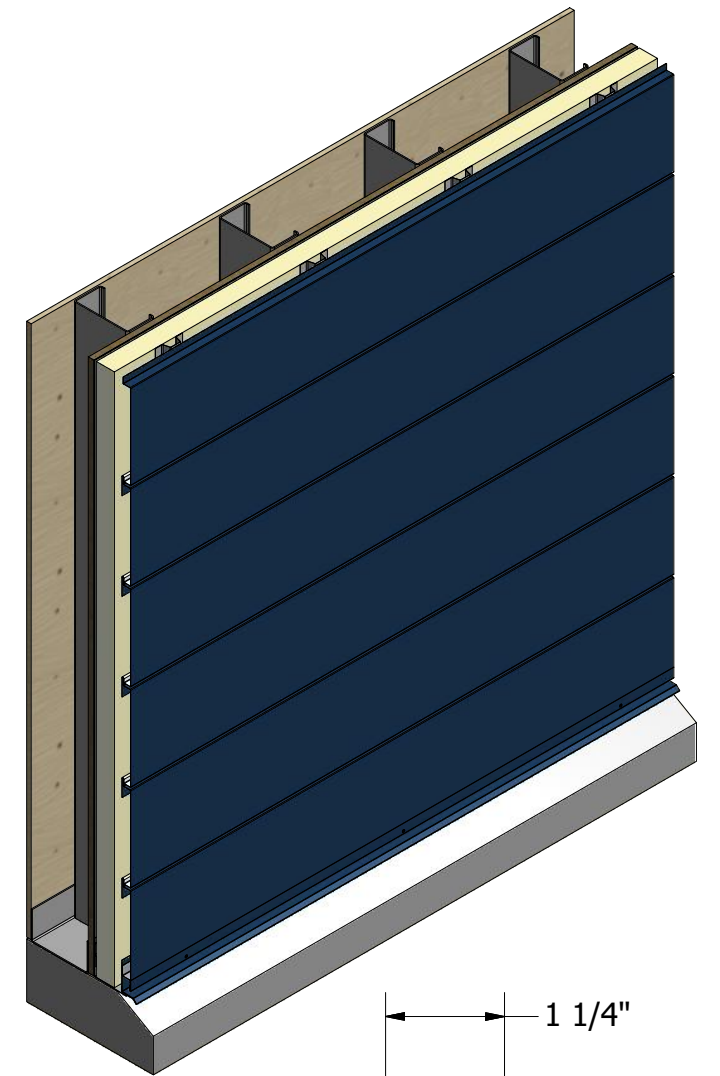
# Horizontal Panel



- Interior Finish
- Metal Wall Stud
- Water Resistant Insulation
- Exterior Gypsum Board
- Water and Air Resistive Barrier
- Versa-Seam Panel
- Vertical Subgirt
- Membrane Strip (by others)
- Metal Stud
- Flashing Fastener (by others)
- #10 x 5/8" Wafer Head Fastener
- Support Z
- Painted Pop Rivet
- Flashing (by others)
- Base Trim

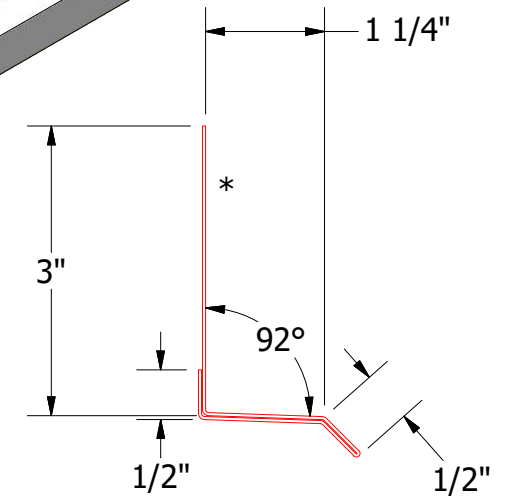


VSA681-Support Z



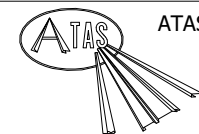
Flashing

(Field Fabricated From Color Matched Flat Stock)



VSA661-Base Trim

2 Stage Method of Weather Proofing



ATAS INTERNATIONAL, INC  
 Allentown PA  
 610-395-8445  
 Mesa AZ  
 480-558-7210

TITLE Versa-Seam Base Detail

REV. NO.	DATE	DESCRIPTION OF REVISION	BY	APP	DWG. NO.	DR	DATE
						KRK	7/25/2014
					MATERIAL	APP	DATE
					SH. SIZE	B	SCALE
							X:X