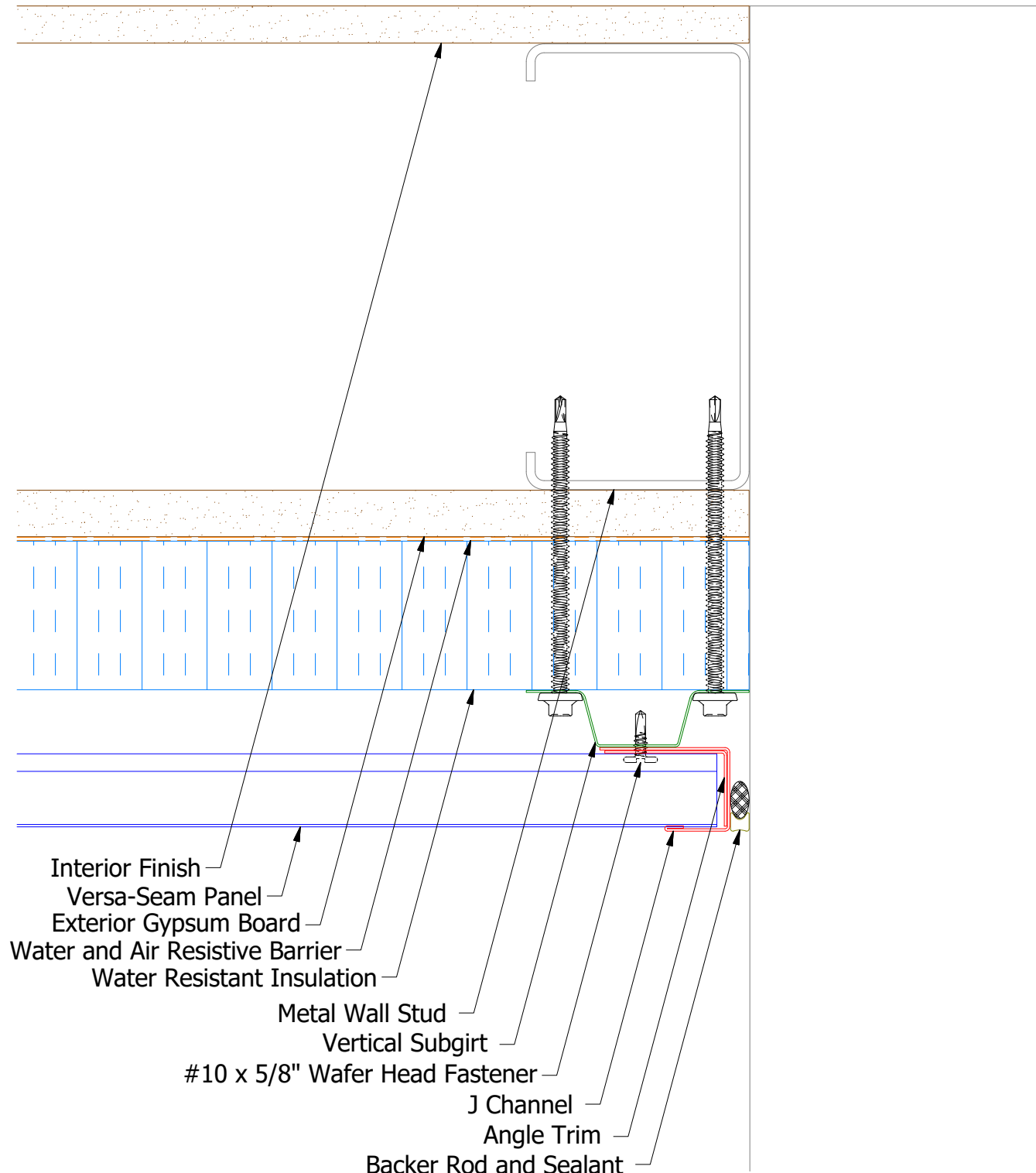
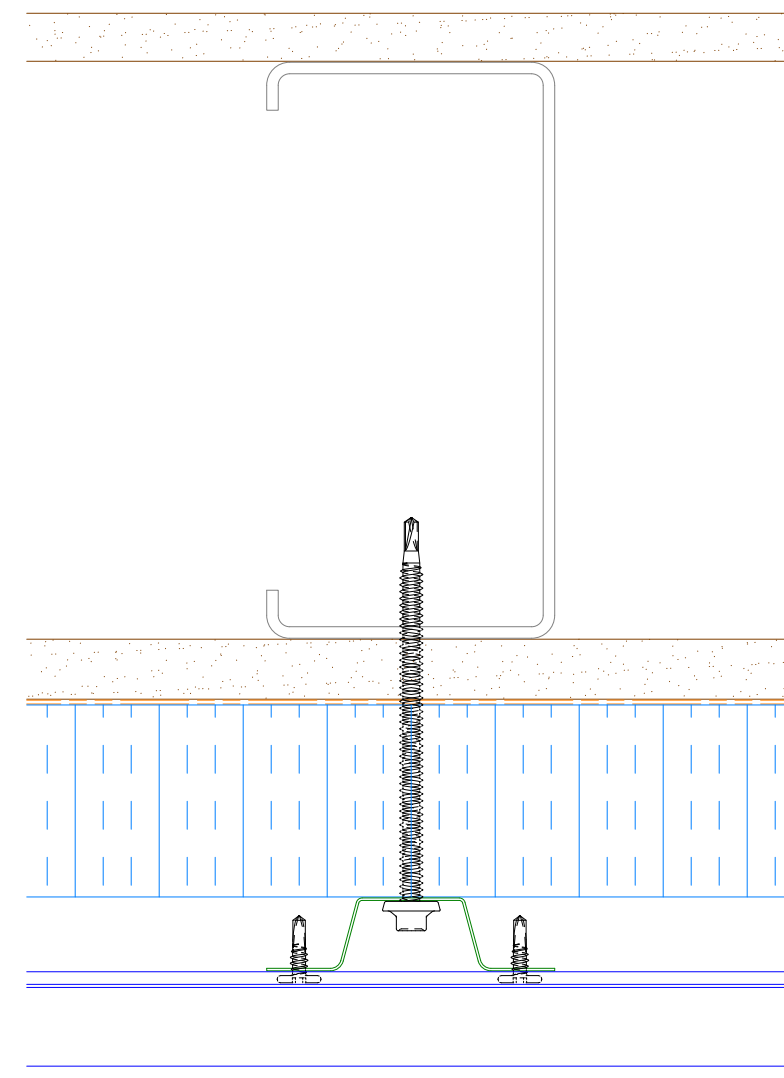


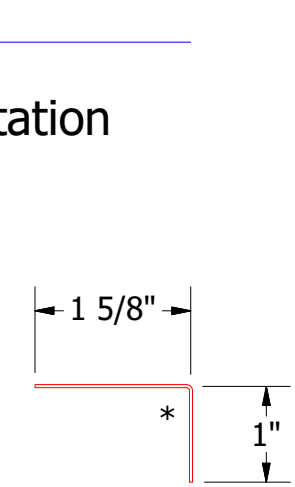
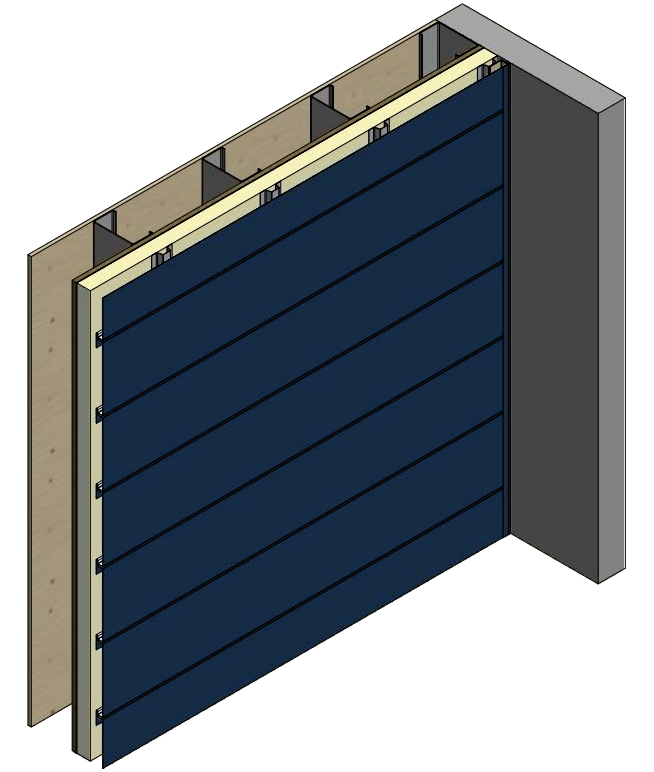
Horizontal Panel



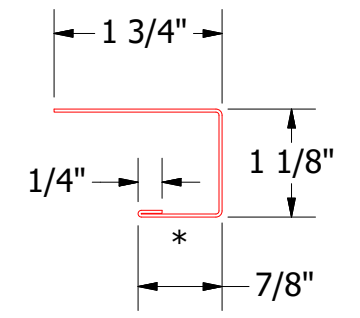
- Interior Finish
- Versa-Seam Panel
- Exterior Gypsum Board
- Water and Air Resistive Barrier
- Water Resistant Insulation
- Metal Wall Stud
- Vertical Subgirt
- #10 x 5/8" Wafer Head Fastener
- J Channel
- Angle Trim
- Backer Rod and Sealant



Alternate Subgirt Orientation



VSA680-Angle Trim



VSA118-J Channel

2 Stage Method of Weather Proofing

ATAS ATAS INTERNATIONAL, INC
 Allentown PA
 610-395-8445
 Mesa AZ
 480-558-7210

TITLE Versa-Seam Endwall Detail

REV. NO.	DATE	DESCRIPTION OF REVISION	BY	APP	DWG. NO.	DR	DATE	APP	DATE	SH. SIZE	SCALE
						KRK	7/28/2014			B	X:X